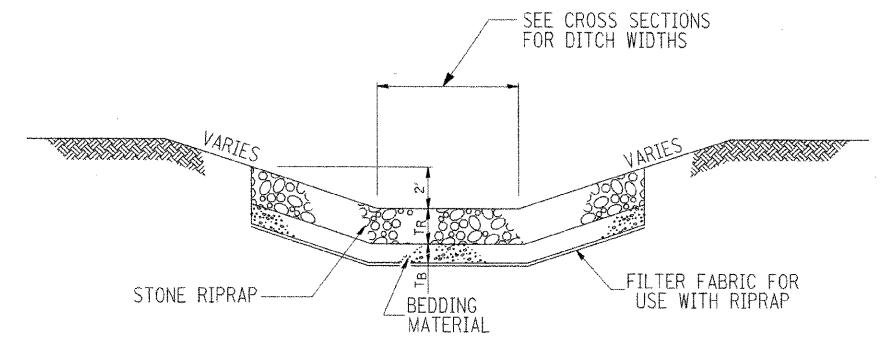
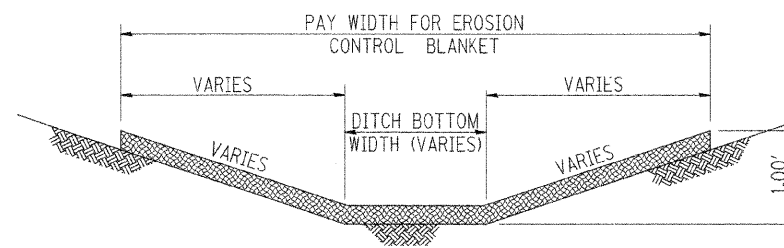
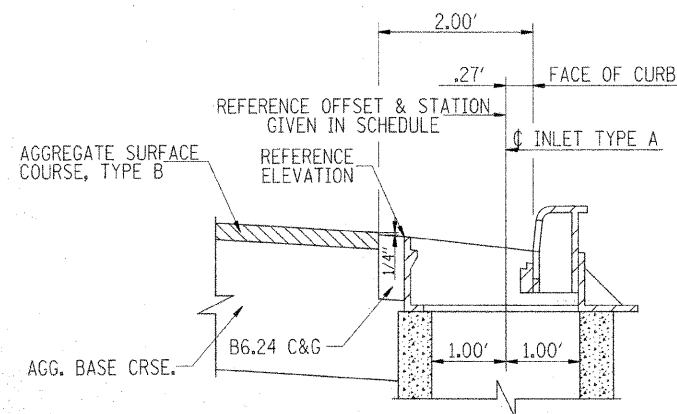


ROADWAY	STATION	OFFSET	CULVERT DIAMETER	L _a	D	W _a	W _b	STONE DUMPED RIPRAP CLASS	T _r	T _b
				INCHES	FEET	FEET	FEET		FEET	INCHES
F.A.S. 662	446+72.00	LT	18	16	2	14	14	A4	20	6
F.A.S. 662	446+81.00	RT	18	16	2	14	14	A4	20	6
F.A.S. 662	464+76.00	RT	36	24		12	27	A4	20	6
F.A.S. 662	489+98.00	LT	60	36	4	18	18	A6	32	10
F.A.S. 662	489+98.00	RT	60	36	4	18	18	A6	32	10
F.A.S. 662	491+16.60	LT	18	16	2	14	14	A4	20	6
F.A.S. 662	491+16.60	RT	18	16	2	14	14	A4	20	6
F.A.S. 662	499+65.65	RT	18	16	2	10	10	A4	20	6

TYPICAL RIPRAP LAYOUT AT CULVERT OUTLETS / INLETS



STONE RIPRAP	RIPRAP THICKNESS (T _R)	BEDDING THICKNESS (T _B)
A4	18"	6"

© Copyright Hanson Professional Services Inc. 2008
HANSON
 Hanson Professional Services Inc.

LAYOUT: MNM/DJP 10/10/07
 DRAWN: DJP 10/10/07
 REVIEWED: JNM 10/04/08

FILE NAME =	USER NAME = Pp00275	DESIGNED - MNM/DJP	REVISED -
\\01jobs\01s2021B\CADD\Road\Sheet\C-50\DET.dgn		DRAWN - DJP	REVISED -
PLOT SCALE = 1:0000' / 1" IN.		CHECKED - MNM	REVISED -
PLOT DATE = 04/04/2008, 12:56 PM		DATE - 10/10/07	REVISED -

**STATE OF ILLINOIS
DEPARTMENT OF TRANSPORTATION**

DRAINAGE DETAILS

SCALE: SHEET NO. 1 OF 1 SHEETS STA. TO STA.

F.A.S. RTE.	SECTION	COUNTY	TOTAL SHEETS	SHEET NO.
662	00-00061-00-BR	CUMBERLAND	85	25
CONTRACT NO. 95552				
FED. ROAD DIST. NO. ILLINOIS FED. AID PROJECT				