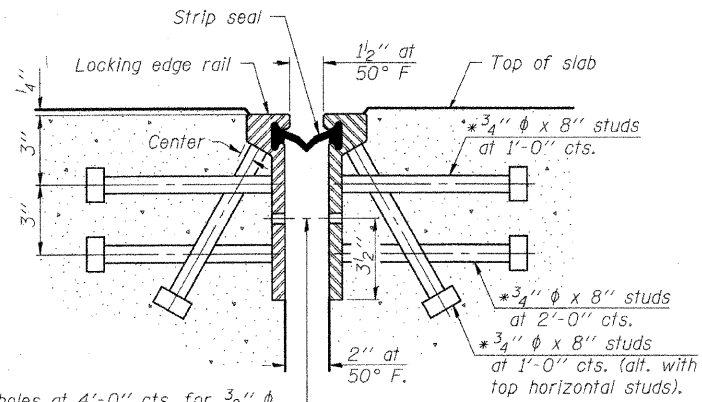
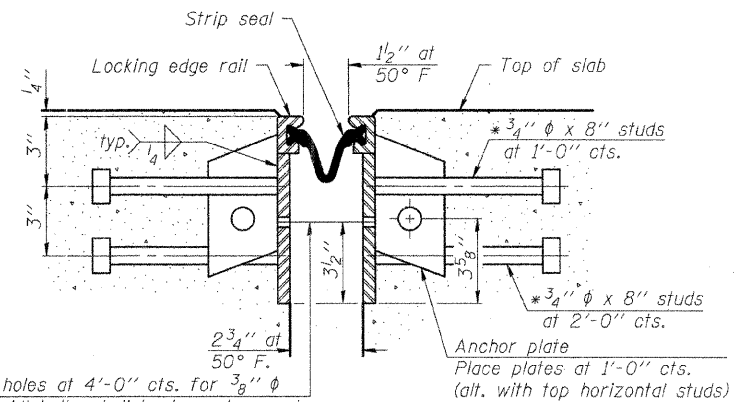


*Granular or solid flux filled headed studs conforming to Article 1006.32 of the Std. Specs., automatically end welded.



7/16" ϕ holes at 4'-0" cts. for 3/8" ϕ bolts. All bolts shall be burned, sawed, or chipped off flush with the plates after forms are removed, typ.

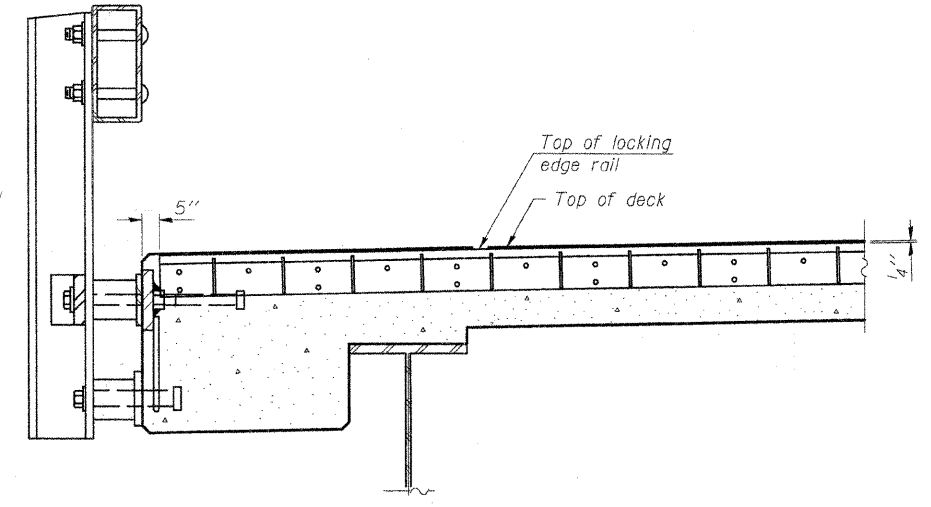
SECTION THRU ROLLED RAIL JOINT



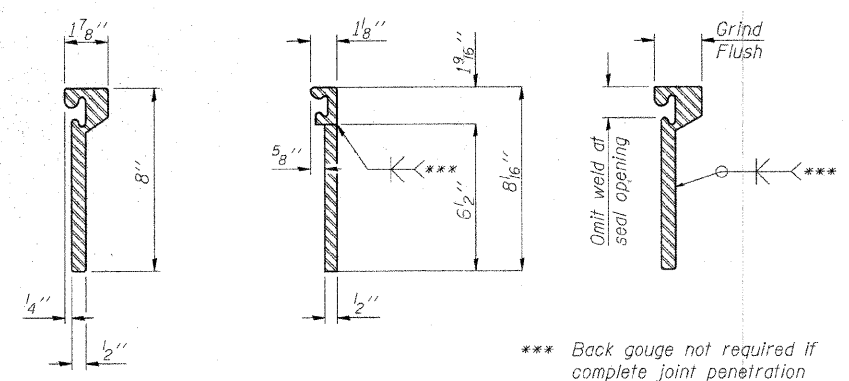
7/16" ϕ holes at 4'-0" cts. for 3/8" ϕ bolts. All bolts shall be burned, sawed, or chipped off flush with the plates after forms are removed, typ.

SECTION THRU WELDED RAIL JOINT

Notes:
The strip seal shall be made continuous and shall have a minimum thickness of 1/4". The configuration of the strip seal shall match the configuration of the Locking Edge Rails. Open or "webbed" strip seal gland configurations are not permitted. The gland shall be sized for a maximum rated movement of 4 inches.
The height and thickness of the Locking Edge Rails shown are minimum dimensions. The actual configuration of the Locking Edge Rails and matching strip seal may vary from manufacturer to manufacturer. Flanged edge rails will not be allowed. Locking Edge Rails may be spliced at slope discontinuities and stage construction joints.
The manufacturer's recommended installation methods shall be followed.
The joint opening and deck dimensions detailed on the superstructure are based on a rolled rail expansion joint. If the Contractor elects to use the welded rail expansion joint, the opening and deck dimensions shall be modified according to the dimensions detailed on this sheet. Required modifications shall be made at no additional cost to the State.
All steel components shall be galvanized after fabrication according to Article 520.03 of the Standard Specifications.

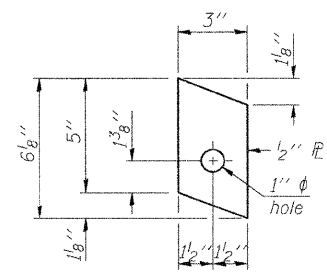


TYPICAL END TREATMENT AT OVERHANG



ROLLED (EXTRUDED) RAIL WELDED RAIL

LOCKING EDGE RAIL SPLICE
The inside of the locking edge rail groove shall be free of weld residue.



ANCHOR PLATE (for welded rail)

BILL OF MATERIAL

Item	Unit	Total
Preformed Joint Strip Seal	Foot	83.5

PREFORMED JOINT STRIP SEAL
F.A.S. 662 (TR 61) OVER EMBARRAS RIVER
CUMBERLAND COUNTY
SECTION 01-00061-00-BR
STA. 470+75.00
STRUCTURE NUMBER 018-3191
PROFESSIONAL DESIGN FIRM LICENSE #184-001084

© Copyright Hanson Professional Services Inc. 2008

Hanson Professional Services Inc.

JOB NO. 01S2021B
DATE 02/04/08

04/04/2008 03:06 PM
 I:\01\06\052021B\Cadd\Struct\Sheet\018-3191-Bridge_Plans.dgn
 LAYOUT: JMM 11/20/07
 DRAWN: DAP 12/28/07
 REVIEWED: JMM 02/04/08

LOCKING EDGE RAILS