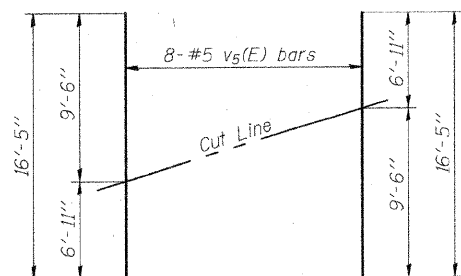


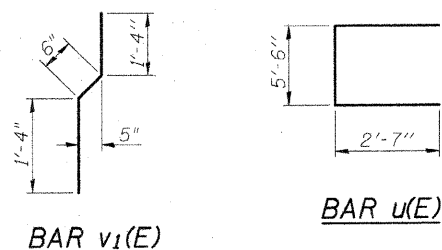
PILE DATA

Type: Steel Piles HP10x42
 Nominal Required Bearing: 335 K
 Allowable Resistance Available: 111 K
 Est. Length: 36' (W. Abut.) - 67' (E. Abut.)
 No. Production Piles: 10 Each Abutment
 No. Test Piles: 1 Each Abutment



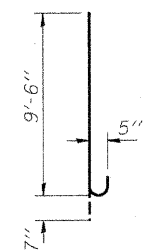
FIELD CUTTING DIAGRAM

Order v5(E) full length. Cut as shown and use remainder of bars in opposite face.

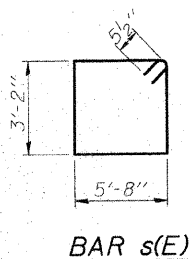


BAR v1(E)

BAR u(E)



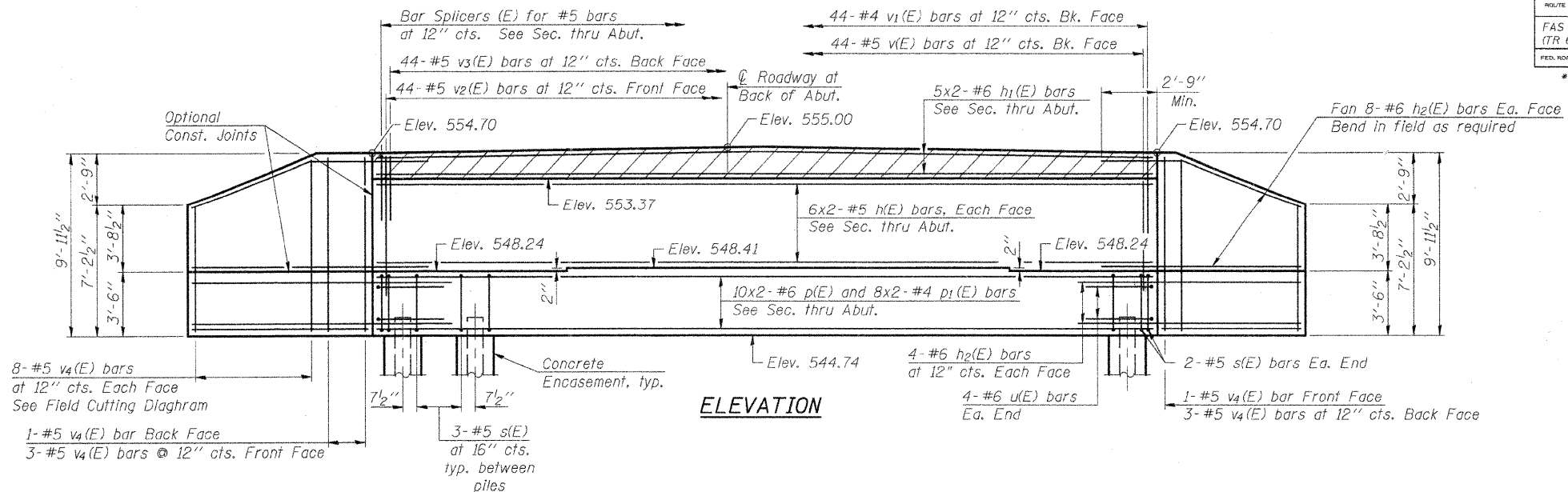
BAR v4(E)



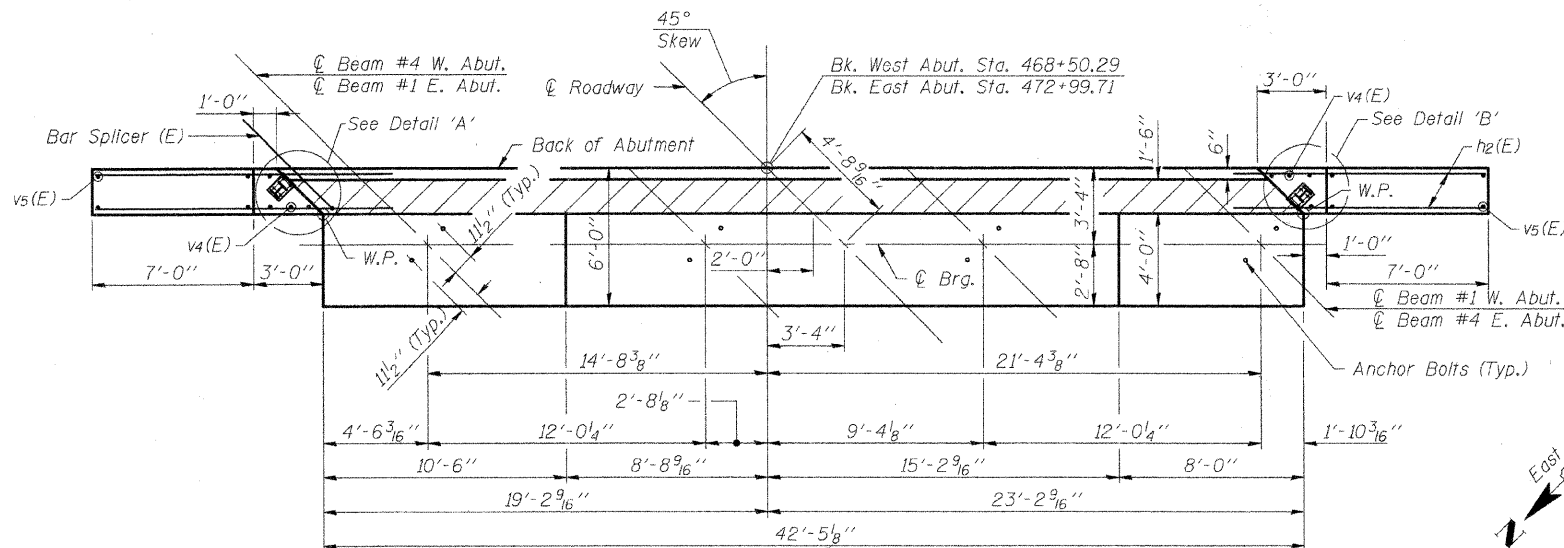
BAR s(E)

MIN. BAR LAPS

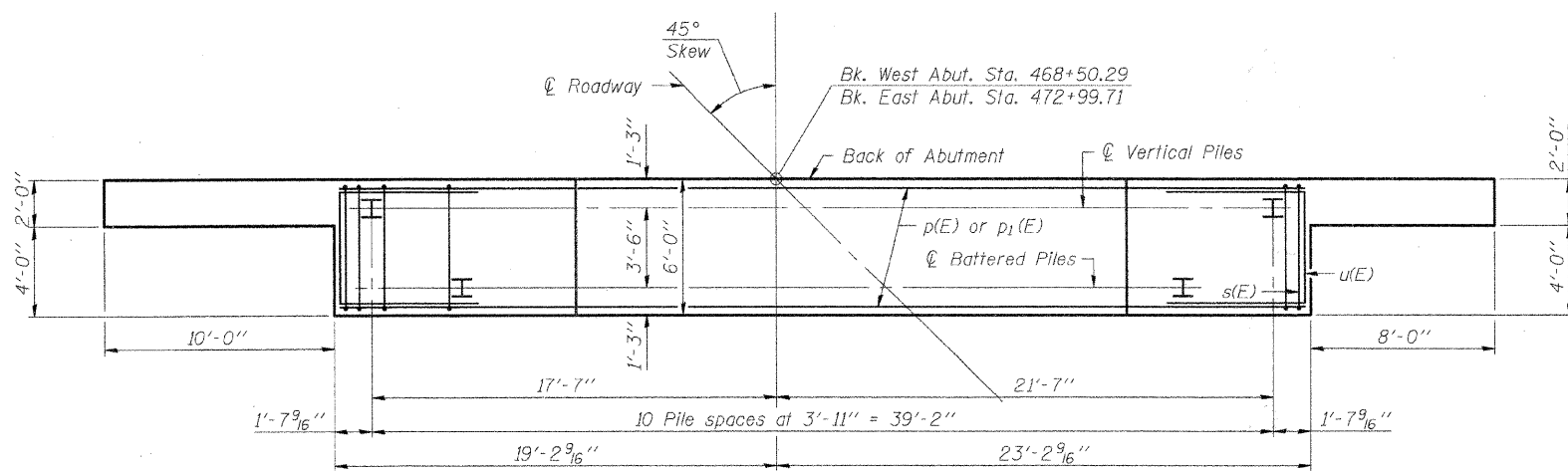
- #4 Bar - 1'-8"
- #5 Bar - 2'-2"
- #6 Bar - 2'-7"



ELEVATION



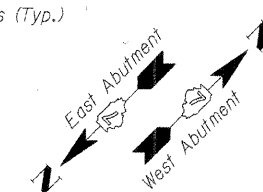
TOP VIEW



PLAN-PILE CAP

**2-ABUTMENTS
BILL OF MATERIAL**

| Bar | No. | Size | Length | Shape |
|----------------------------------|---------|-------|--------|-------|
| h(E) | 48 | #5 | 22'-3" | — |
| h1(E) | 20 | #6 | 22'-6" | — |
| h2(E) | 96 | #6 | 10'-2" | — |
| p(E) | 40 | #6 | 22'-6" | — |
| p1(E) | 32 | #4 | 22'-0" | — |
| s(E) | 68 | #5 | 18'-7" | □ |
| u(E) | 16 | #6 | 10'-8" | □ |
| v(E) | 88 | #5 | 7'-4" | — |
| v1(E) | 88 | #4 | 3'-2" | — |
| v2(E) | 88 | #5 | 8'-9" | — |
| v3(E) | 88 | #5 | 3'-2" | — |
| v4(E) | 16 | #5 | 9'-7" | — |
| v5(E) | 32 | #5 | 16'-5" | — |
| Concrete Structures | Cu. Yd. | 123.1 | | |
| Reinforcement Bars, Epoxy Coated | Pound | 9310 | | |
| Furnishing Steel Piles, HP10x42 | Foot | 1030 | | |
| Driving Piles | Foot | 1030 | | |
| Test Pile Steel HP10x42 | Each | 2 | | |
| Concrete Encasement | Cu. Yd. | 7.6 | | |
| Concrete Sealer | Sq. Ft. | 342 | | |



For details of Bar Splicers, see sheet 20 of 25.
 For details of piles and Concrete Encasement, see sheet 21 of 26.
 Bars indicated thus 10x2-#6 etc. indicates 10 lines of bars with 2 lengths per line.
 For Section thru Abutment, Section thru Wing and Detail "A" & "B", see sheet 17 of 26.
 Structure Excavation required shall be according to Article 502 of the Standard Specifications. Cost for Structure Excavation included with Concrete Structures.

ABUTMENT
 F.A.S. 662 (TR 6D) OVER EMBARRAS RIVER
 CUMBERLAND COUNTY
 SECTION 01-00061-00-BR
 STA. 470+75.00
 STRUCTURE NUMBER 018-3191
 PROFESSIONAL DESIGN FIRM LICENSE #184-001084

© Copyright Hanson Professional Services Inc. 2008

HANSON
 Hanson Professional Services Inc.

JOB NO. 01S2021B
 DATE 02/04/08

04/04/2008 03:05 PM
 A:\01665\01S2021B\cadd\Struct\Strut\River_Bridge_Plans.dgn
 LAYOUT: JMM 11/20/07
 DRAWN: DAP 12/28/07
 REVIEWED: JMM 02/04/08