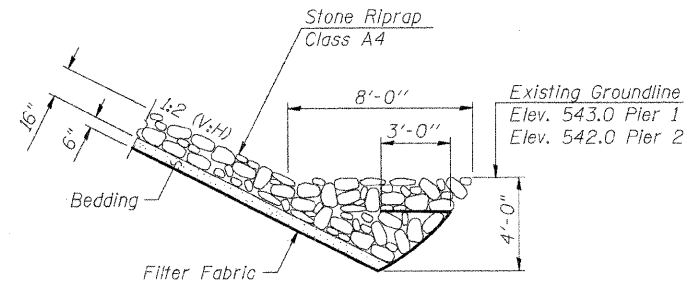
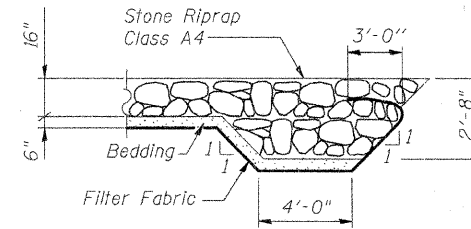


INDEX OF BRIDGE SHEETS

1. General Plan & Elevation
2. General Notes, Index of Bridge Sheets, Total Bill of Material, and General Details
3. P.P.C. Deck Beam Superstructure
4. 27" x 36" P.P.C. Deck Beam
5. 27" x 36" P.P.C. Deck Beam Details
6. Steel Railing, Type S1
7. Pile Bent Abutment Details
8. Pile Bent Pier Details
9. Steel H-Pile Details
10. Boring Logs



SECTION B-B



**SECTION C-C
FLANK STONE RIPRAP DETAIL**

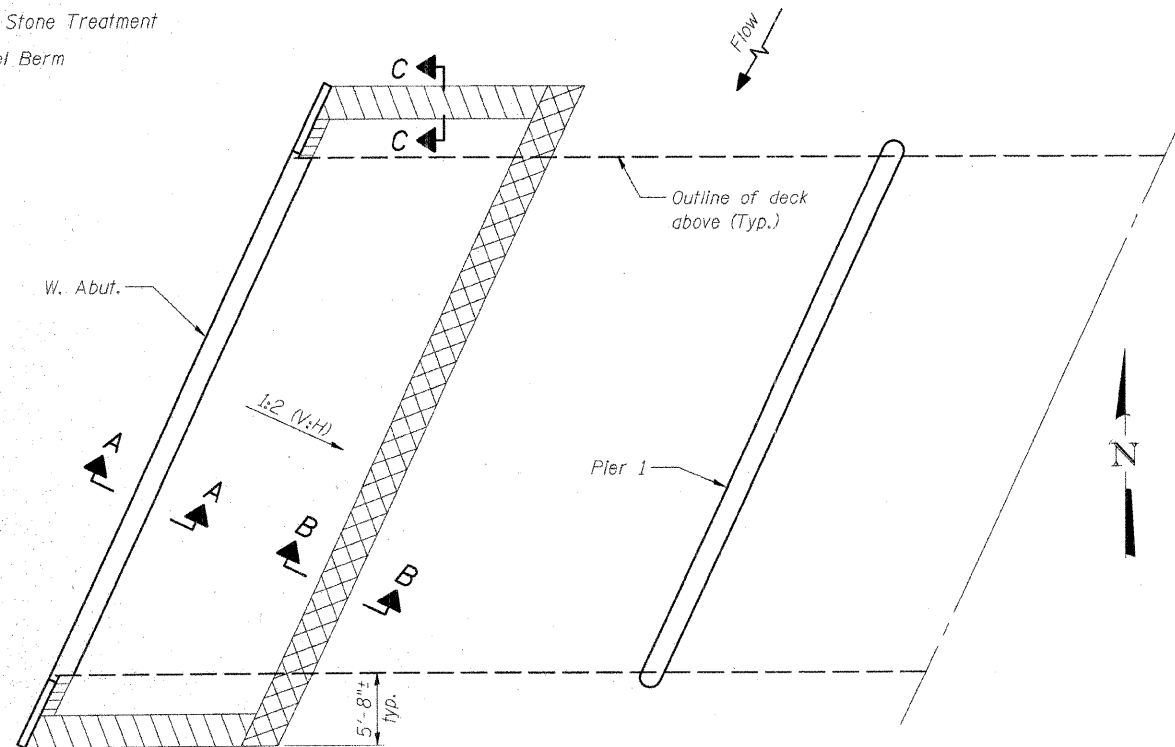
Note:
Excavation required for placing Riprap shall be according to Article 502 of the Standard Specifications. Cost for excavation shall be included with Stone Riprap, Class A4.

TOTAL BILL OF MATERIAL

Item	Unit	Super	Sub.	Total
Stone Riprap, Class A4	Sq. Yd.	-	309	309
Filter Fabric	Sq. Yd.	-	309	309
Concrete Structures	Cu. Yd.	-	63.6	63.6
Concrete Encasement	Cu. Yd.	-	40.2	40.2
Precast Prestressed Concrete Deck Beams (27" Depth)	Sq. Ft.	5441.5	-	5441.5
Steel Railing, Type S1	Foot	368	-	368
Reinforcement Bars, Epoxy Coated	Pound	-	7980	7980
Furnishing Steel Piles, HP 10x42	Foot	-	846	846
Furnishing Steel Piles, HP 14x89	Foot	-	952	952
Driving Piles	Foot	-	1798	1798
Test Pile, Steel HP 10x42	Each	-	2	2
Test Pile, Steel HP 14x89	Each	-	2	2
Name Plates	Each	1	-	1

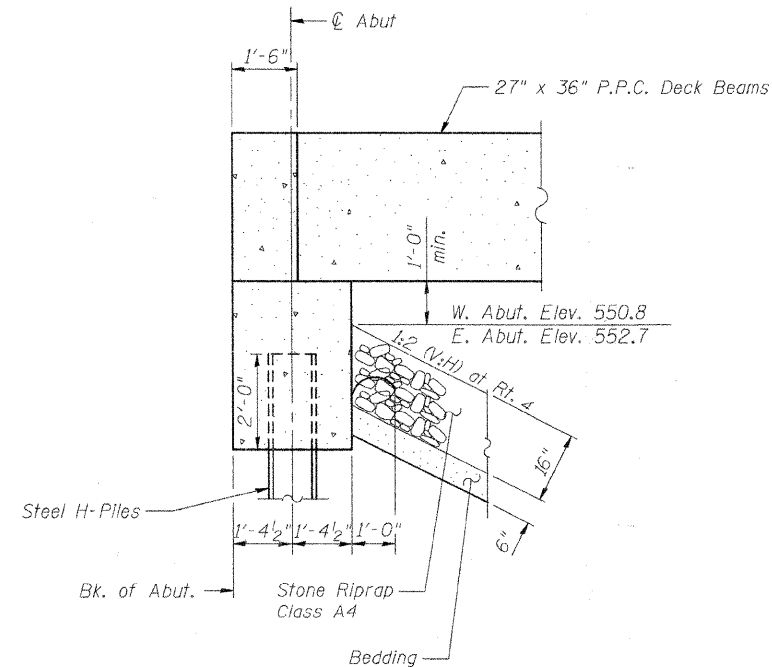
LEGEND

- Flank Treatment
- Toe Stone Treatment
- Level Berm



RIPRAP LAYOUT PLAN

(West Abutment shown; East Abutment similar)



**SECTION A-A
SECTION THRU ABUTMENT**
(Horiz. dim. @ Rt. L's)

GENERAL NOTES, INDEX OF BRIDGE SHEETS,
TOTAL BILL OF MATERIAL, AND GENERAL DETAILS
F.A.S. 662 (TR 61) EMBARRAS RIVER OVERFLOW STRUCTURE
CUMBERLAND COUNTY
SECTION 01-00061-00-BR
STA. 477+62
STRUCTURE NUMBER 018-3194
PROFESSIONAL DESIGN FIRM LICENSE #184-001084

© Copyright Hanson Professional Services Inc. 2008

HANSON
Hanson Professional Services Inc.

JOB NO.
01S2021B

DATE
02/04/08