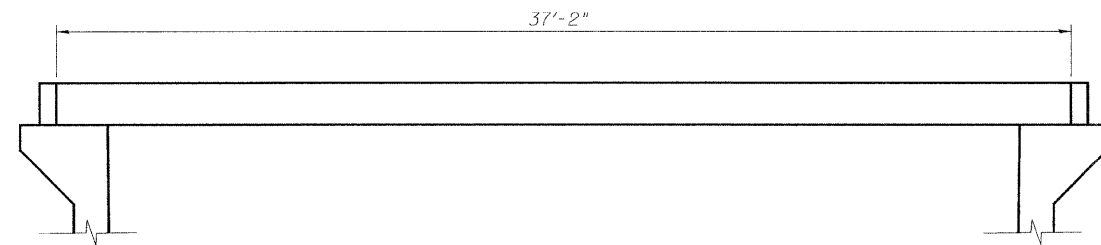
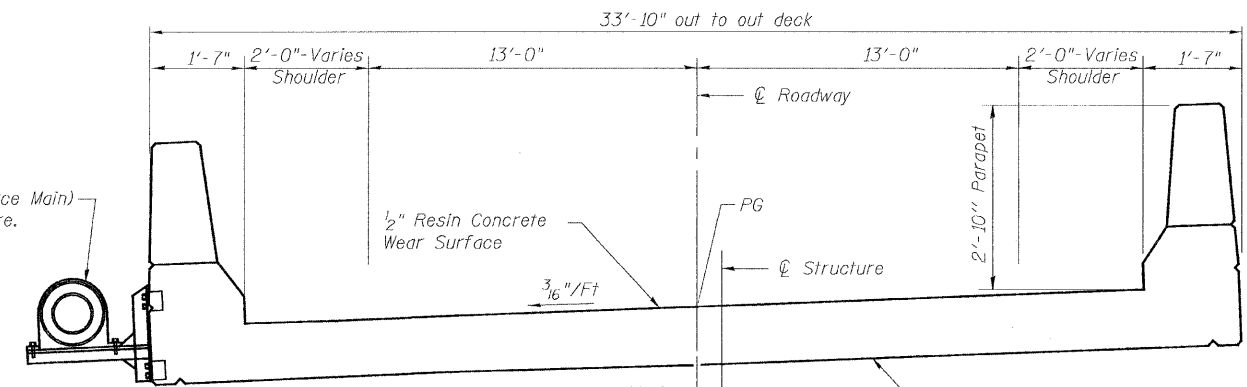


ROUTE NO.	SECTION	COUNTY	TOTAL SHEETS	SHEET NO.
F.A.U. 9149	06-00034-01-BR	ST. CLAIR	10	4
FED. ROAD DIST. NO. 7	ILLINOIS	FED. AID PROJECT-		

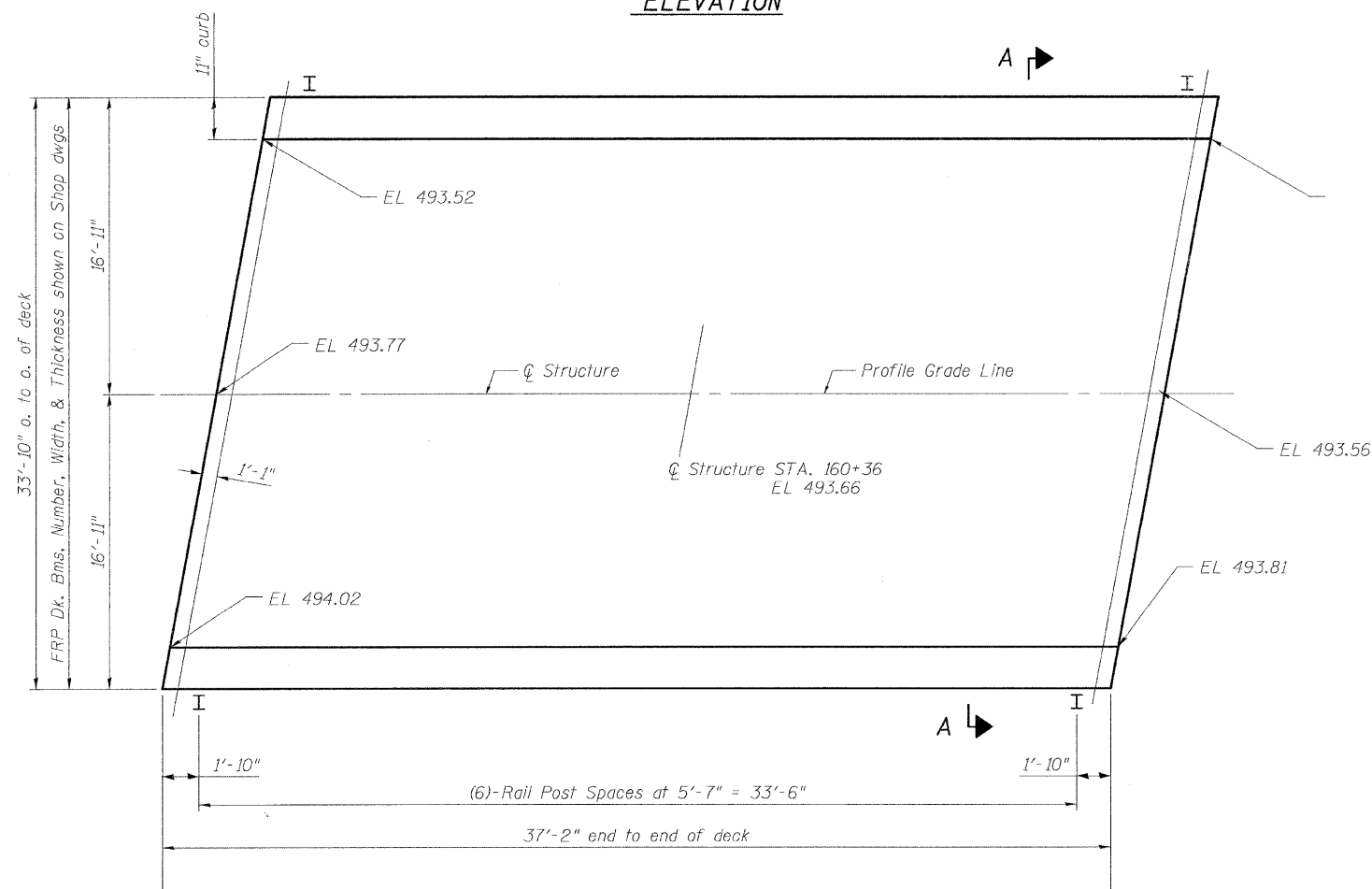
Contract #97350



ELEVATION

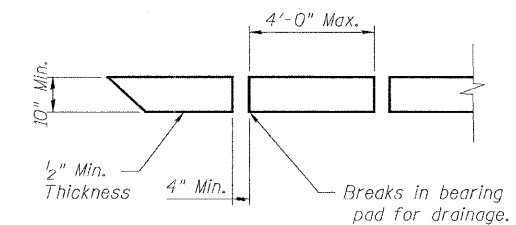


A-A CROSS SECTION



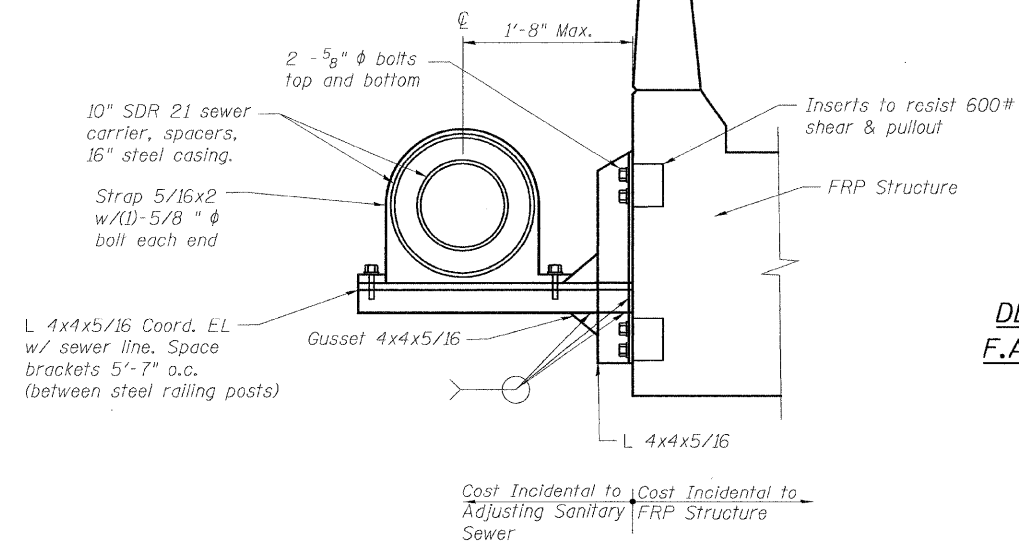
PLAN

ELASTOMERIC BEARING PAD DETAIL



Sanitary Sewer (Force Main)
attached to Structure.
Provide connections
for 100 PLF Load

FRP Structure
Estimated Thickness 32"
Including Wearing Surface



SANITARY SEWER ATTACHMENT TO STRUCTURE

DECK SUPERSTRUCTURE & DETAILS
F.A.U. 9149 (PLEASANT RIDGE ROAD)
OVER LITTLE CANTEEN CREEK
SECTION 06-00034-01-BR
STATION 160+36
FAIRVIEW HEIGHTS
STRUCTURE NO. 082-6513

DESIGNED: K.C.M.
CHECKED: T.M.M.
DRAWN: R.N.H.
CHECKED: T.M.M.

McDonough-Whitlow, P.C.
 Consulting Engineers & Land Surveyors
 138 East Wood Street
 Hillboro, IL 62049
 Phone: 217.532.9233
 Fax: 217.532.6300
 PROFESSIONAL DESIGN No. 184-002754

107-052401-01-152P.dwg 8/25/2009 3:57:42 PM USBP