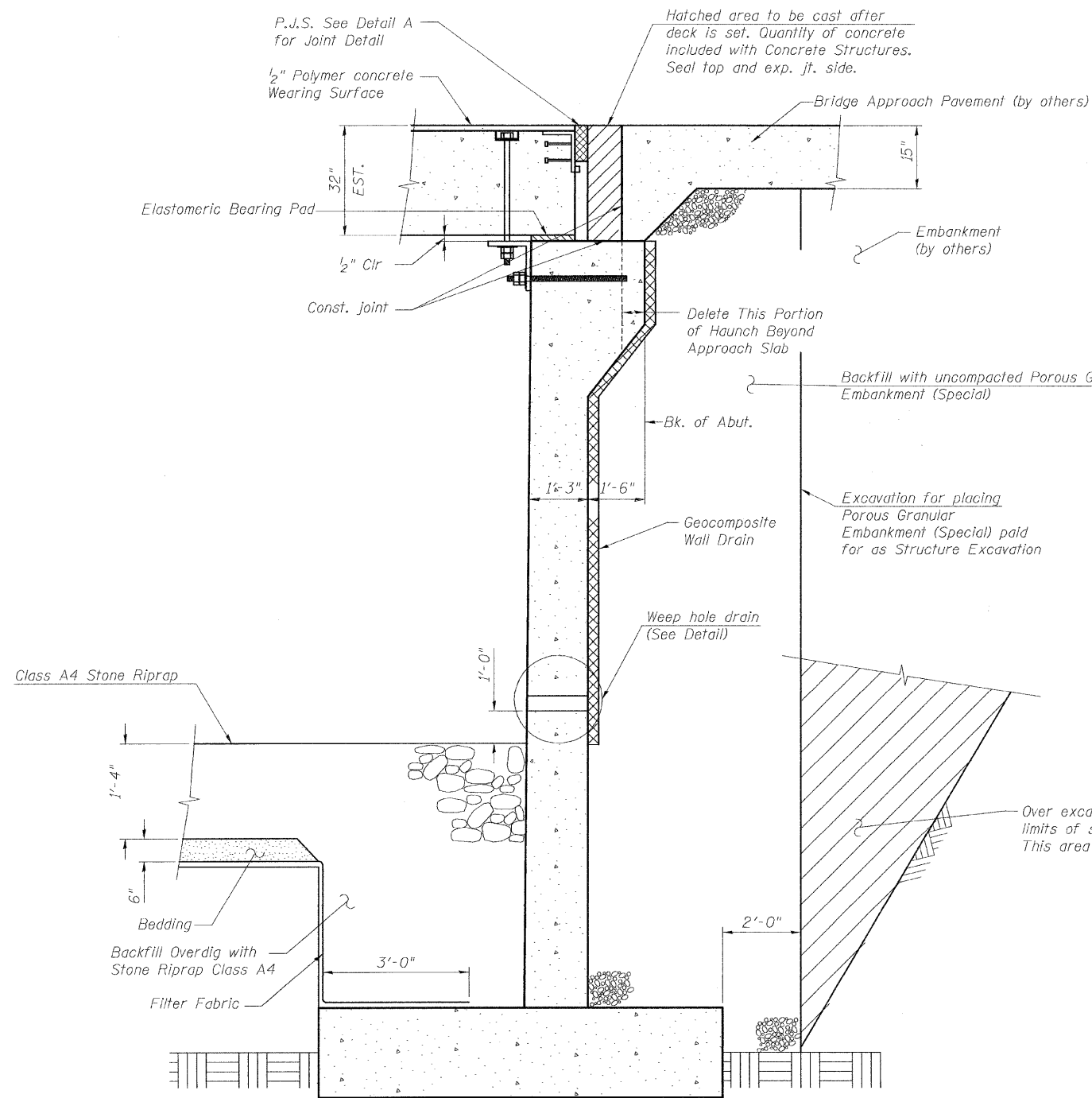


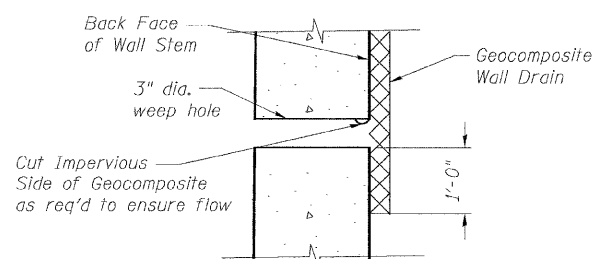
ROUTE NO.	SECTION	COUNTY	TOTAL SHEETS	SHEET NO.
F.A.U. 9149	06-00034-01-BR	ST. CLAIR	10	7
FED. ROAD DIST. NO. 7	ILLINOIS	FED. AID PROJECT		

Contract #97350

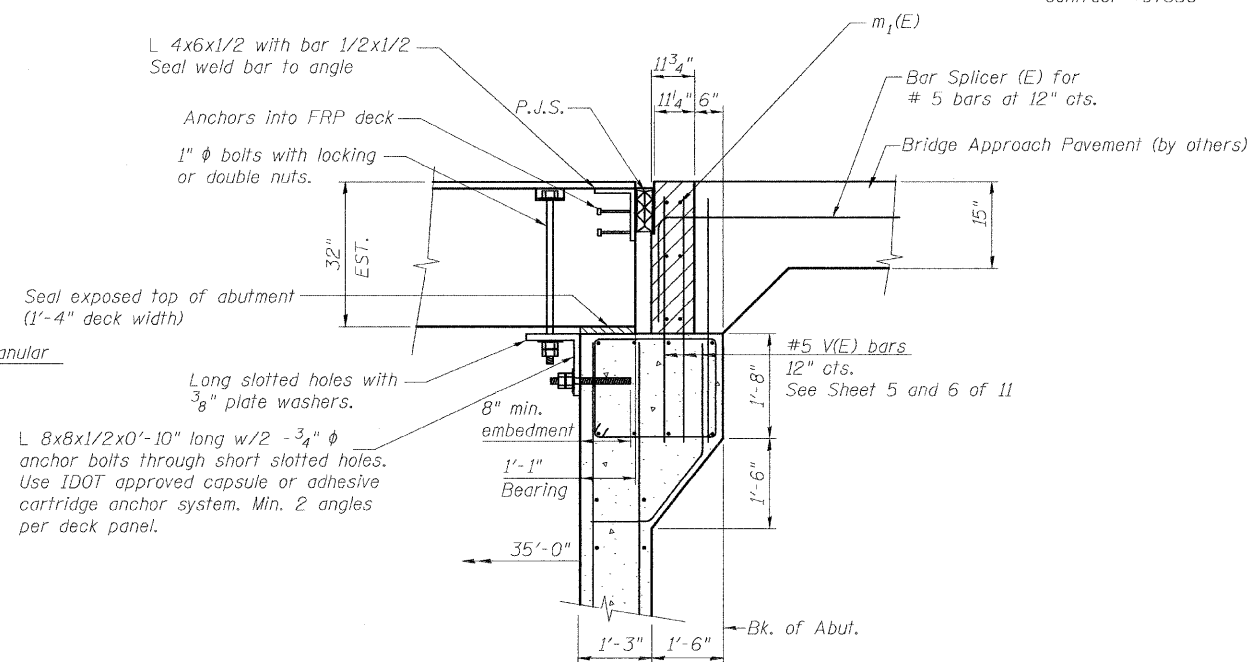


SEC. THRU ABUTMENT

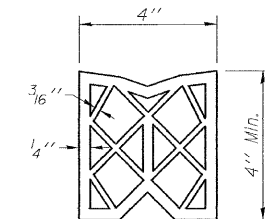
DESIGNED: K.C.M.
CHECKED: T.M.M.
DRAWN: R.N.H.
CHECKED: K.C.M.



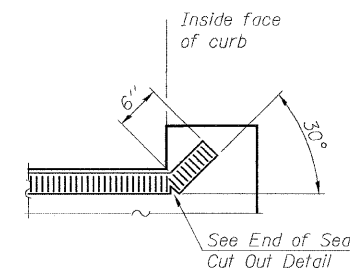
WEEP HOLE DRAIN DETAIL



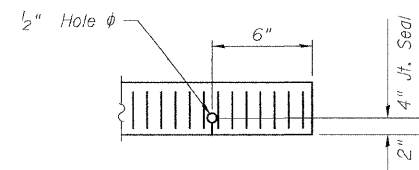
SEC. THRU TOP OF ABUTMENT



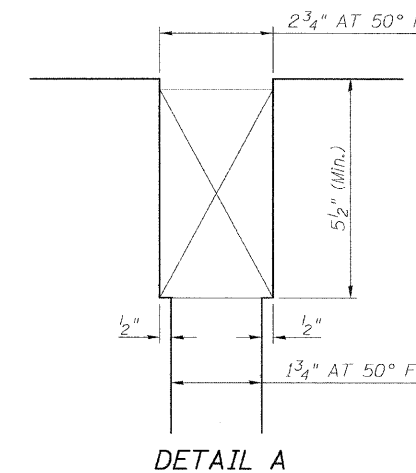
PREFORMED JOINT SEAL 4" (PJS)



END OF SEAL



END OF SEAL CUT-OUT



DETAIL A

ABUTMENT DETAILS
F.A.U. 9149 (PLEASANT RIDGE ROAD)
OVER LITTLE CANTEEN CREEK
SECTION 06-00034-01-BR
STATION 160+36
FAIRVIEW HEIGHTS
STRUCTURE NO. 082-6513

McDonough-Whitlow, P.C.
 Consulting Engineers & Land Surveyors
 138 East Wood Street
 Hillsboro, IL 62049
 Phone: 217.532.9233
 Fax: 217.532.6300
 PROFESSIONAL DESIGN No. 194-002754

11/17/2008 10:45:13 AM 3/23/2008 3:57:13 PM User