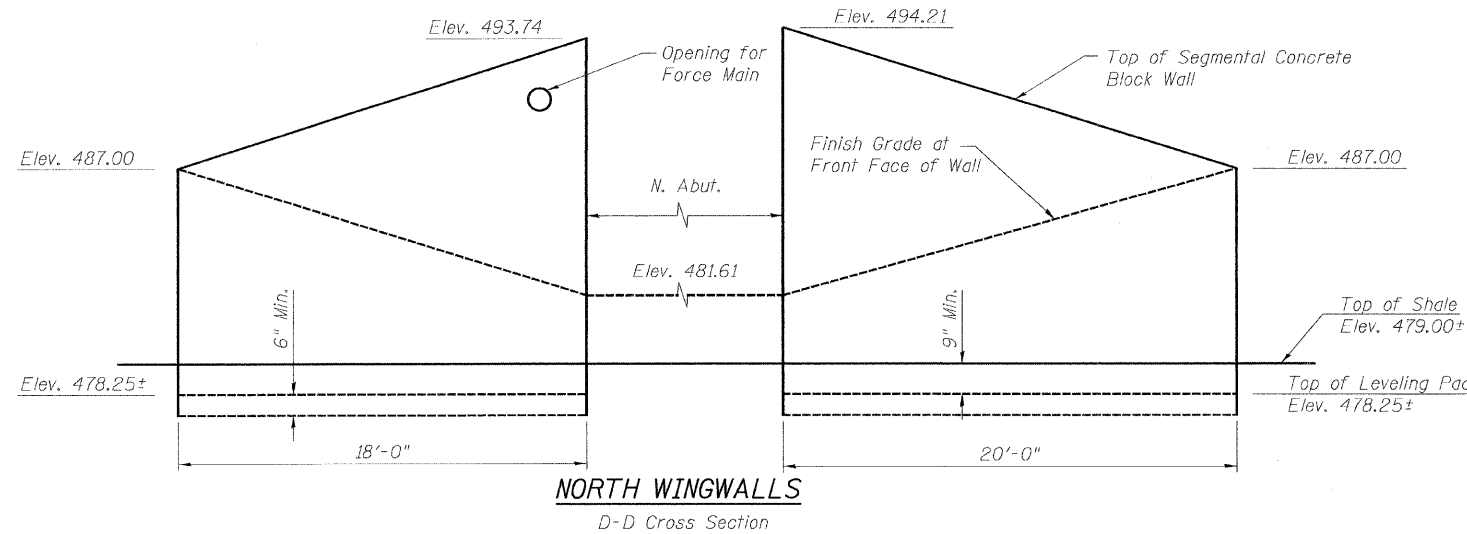
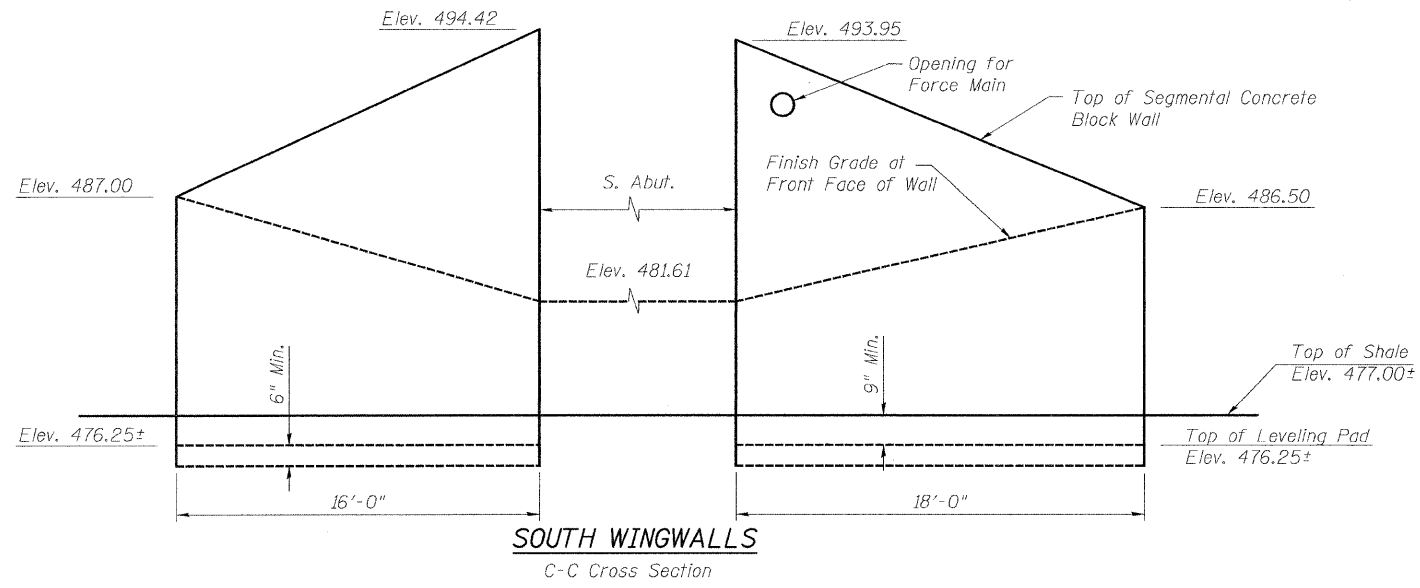


|                       |                |                   |              |           |
|-----------------------|----------------|-------------------|--------------|-----------|
| ROUTE NO.             | SECTION        | COUNTY            | TOTAL SHEETS | SHEET NO. |
| F.A.U. 9149           | 06-00034-01-BR | ST. CLAIR         | 10           | 8         |
| FED. ROAD DIST. NO. 7 | ILLINOIS       | FED. AID PROJECT- |              |           |

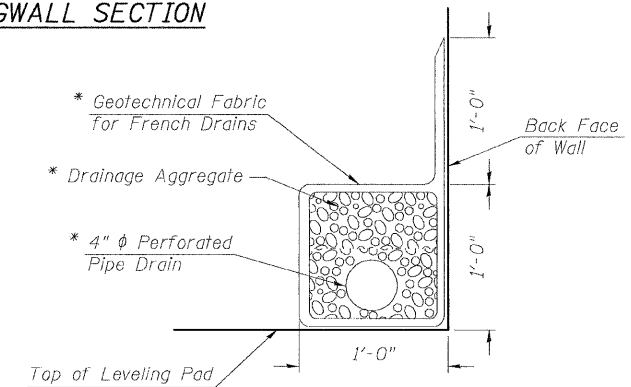
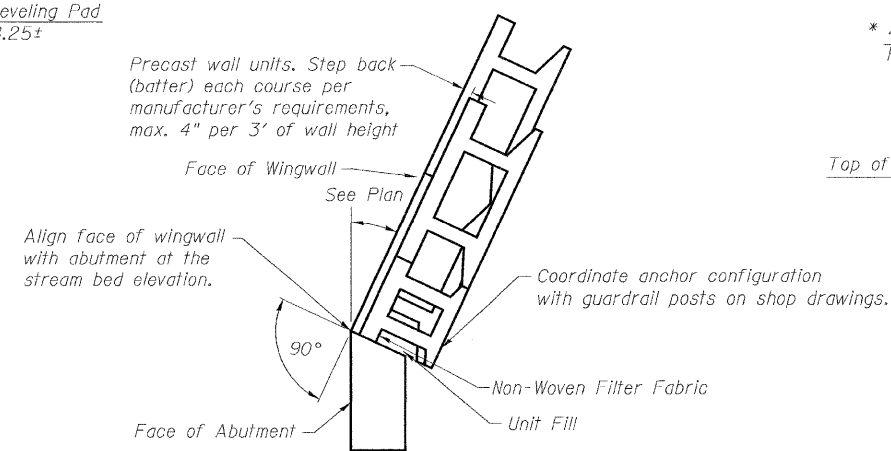
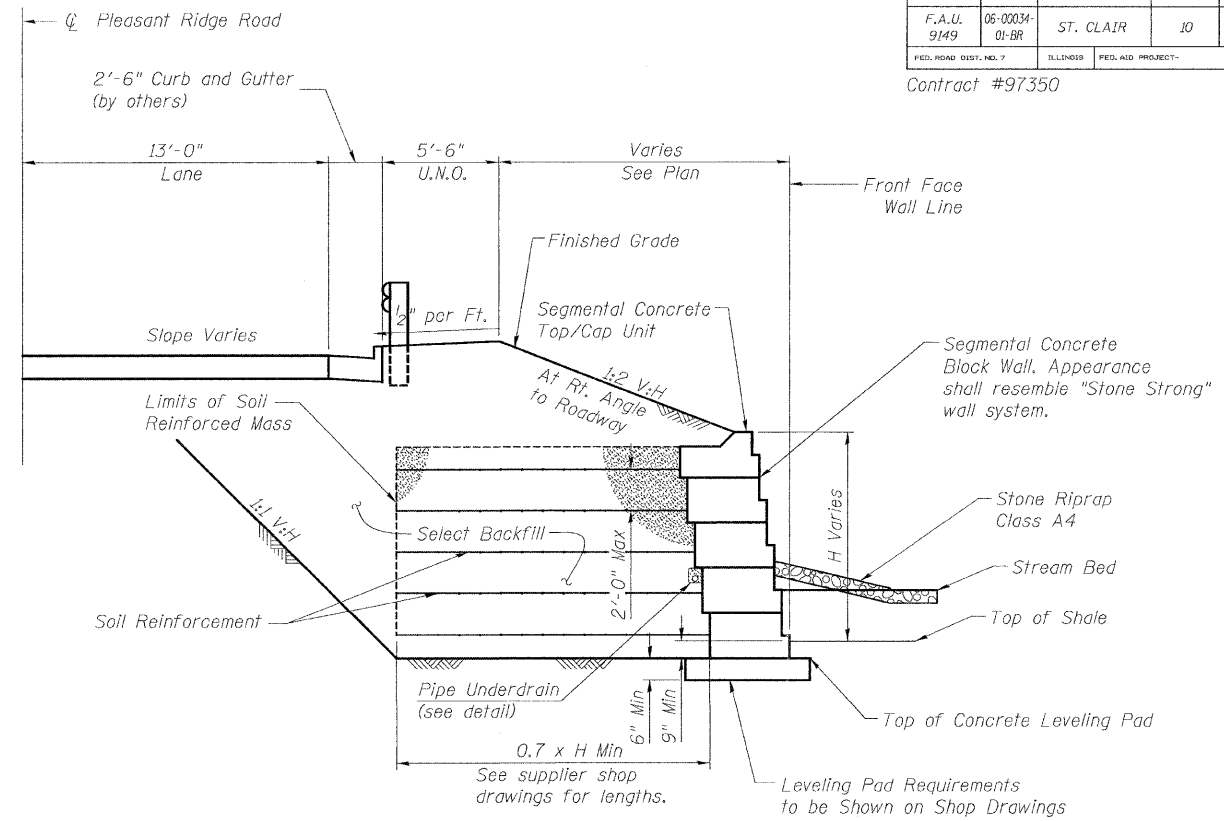
Contract #97350



**WINGWALL BILL OF MATERIAL**

| Item   | Unit    | Total |
|--|---------|-------|
| Segmental Concrete Block Wall (Southeast wall) | Sq. Ft. | 231   |
| Segmental Concrete Block Wall (Southwest Wall) | Sq. Ft. | 252   |
| Segmental Concrete Block Wall (Northeast Wall) | Sq. Ft. | 247   |
| Segmental Concrete Block Wall (Northwest Wall) | Sq. Ft. | 218   |
| Total Segmental Concrete Block Wall            | Sq. Ft. | 948   |
| Pipe Underdrains for Structures 4"             | Foot    | 100   |

|                  |
|------------------|
| DESIGNED: K.C.M. |
| CHECKED: T.M.M.  |
| DRAWN: R.N.H.    |
| CHECKED: K.C.M.  |



**PIPE UNDERDRAIN DETAIL**

\* Included in the cost of "Pipe Underdrains for Structures"

**WINGWALL DETAILS**  
F.A.U. 9149 (PLEASANT RIDGE ROAD)  
OVER LITTLE CANTEN CREEK  
SECTION 06-00034-01-BR  
STATION 160+36  
FAIRVIEW HEIGHTS  
STRUCTURE NO. 082-6513

**McDonough-Whitlow, P.C.**  
Consulting Engineers & Land Surveyors  
138 East Wood Street  
Hillsboro, IL 62049  
Phone: 217.532.9233  
Fax: 217.532.6300  
PROFESSIONAL DESIGN No. 184-002754