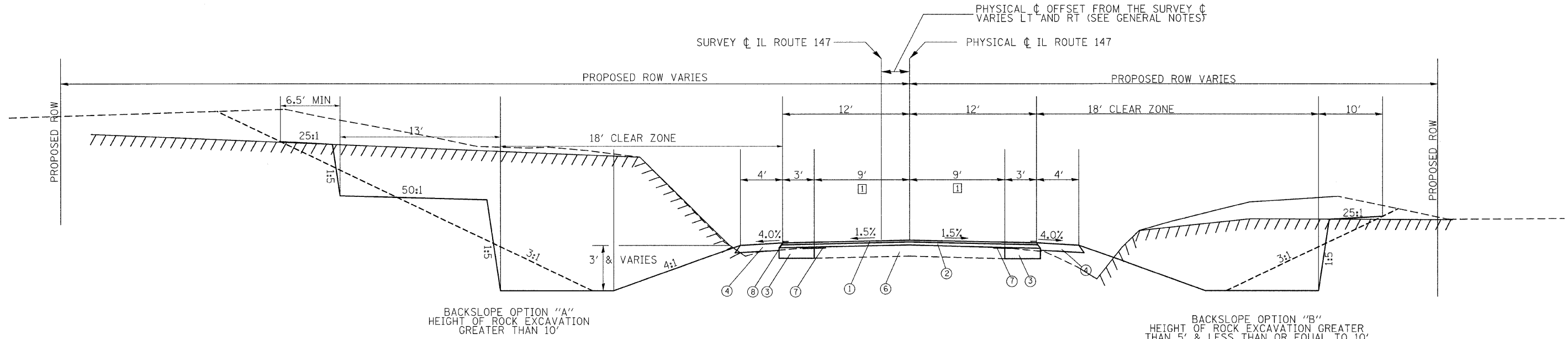
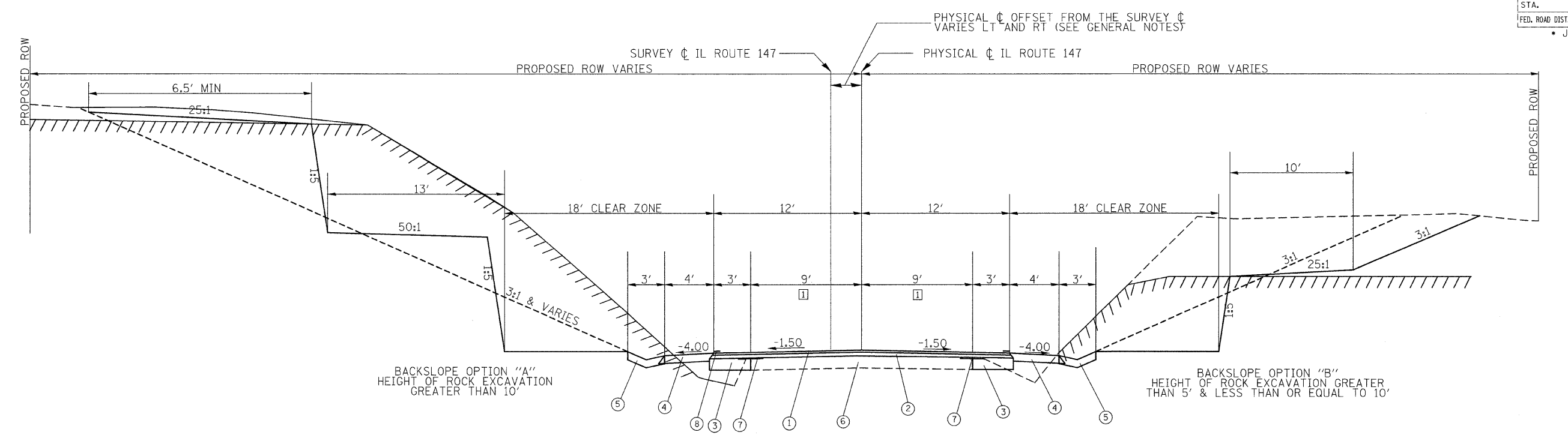


F.A.S. RTE.	SECTION	COUNTY	TOTAL SHEETS	SHEET NO.
932	(8,9,11)W,RS-1	*	401	13
STA.	TO STA.			
FED. ROAD DIST. NO.	ILLINOIS	FED. AID PROJECT		
* JOHNSON & POPE				



- 1 VARIES 9' ± CENTERLINE TO EDGE OF PAVEMENT
- 1 PROPOSED HOT-MIX ASPHALT SURFACE COURSE, MIX C, N90, 1.5"
- 2 PROPOSED HOT-MIX ASPHALT BINDER COURSE, IL-19.0, N90, 2.25" (MIN)
- 3 PROPOSED BASE COURSE WIDENING, 9"
- 4 PROPOSED HOT-MIX ASPHALT SHOULDERS, 6"
- 5 PROPOSED CONCRETE GUTTER, TYPE A
- 6 EXISTING HMA RESURFACED A-3 PAVEMENT 18' & VARIES
- 7 PROPOSED STRIP REFLECTIVE CRACK CONTROL TREATMENT
- 8 PROPOSED EDGE LINE STRIPING (TYP.)

REVISIONS	
NAME	DATE

ILLINOIS DEPARTMENT OF TRANSPORTATION

SCALE: VERT. \_\_\_\_\_  
HORIZ. \_\_\_\_\_  
DATE \_\_\_\_\_

DRAWN BY \_\_\_\_\_  
CHECKED BY \_\_\_\_\_

**ALTERNATE TYPICAL SECTIONS FOR ROCK EXCAVATION**

PLOT DATE = 8/28/2008  
FILE NAME = c:\projects\98542\803-03\typical.mxd  
USER NAME = pdollar