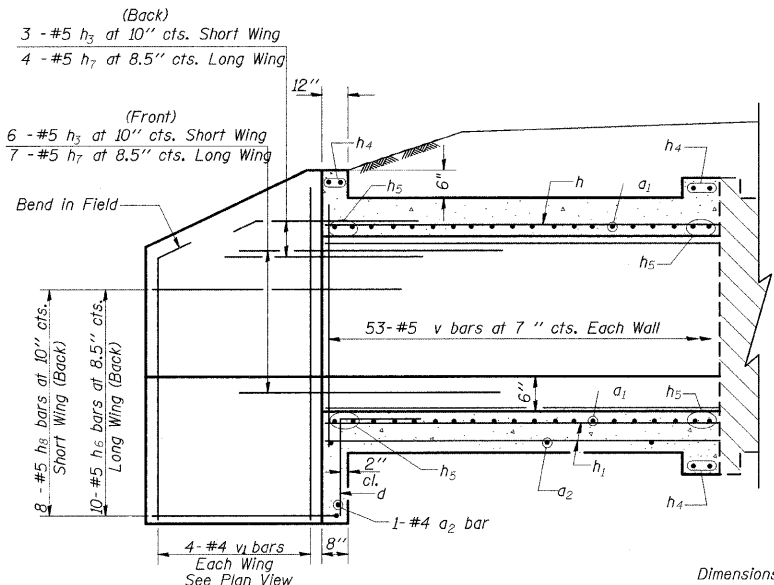
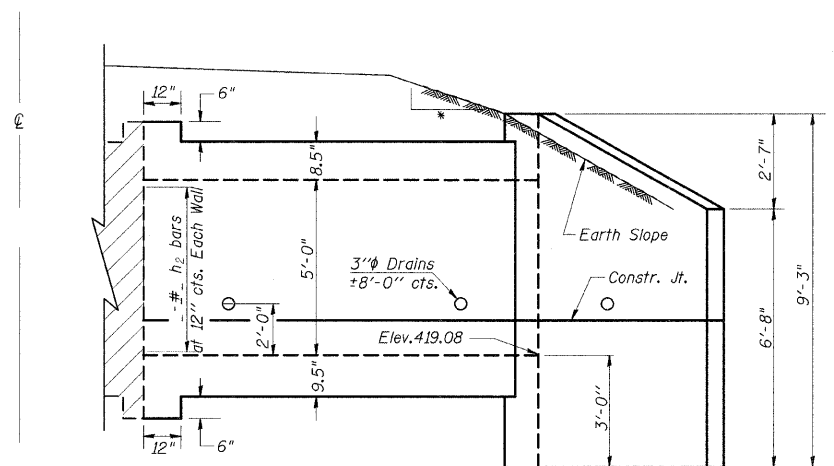


STATE OF ILLINOIS  
DEPARTMENT OF TRANSPORTATION

F.A.S. RTE	SECTION	COUNTY	TOTAL SHEETS	SHEET NO
932	(8,9,11)W,RS-1		401	182
STA.	TO STA.			
FED. ROAD DIST. NO.	ILLINOIS	FED. AID PROJECT		
* JOHNSON/POPE				

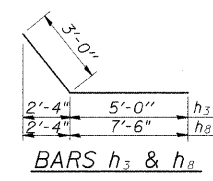


HALF LONG SECTION

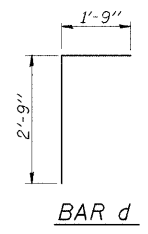


HALF ELEVATION

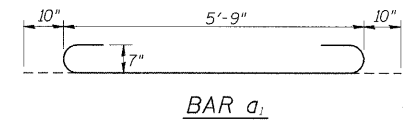
- \* 4:1 TO CLEAR ZONE
- 3:1 AFTER CLEAR ZONE



BARS h<sub>3</sub> & h<sub>8</sub>



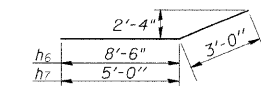
BAR d



BAR a<sub>1</sub>

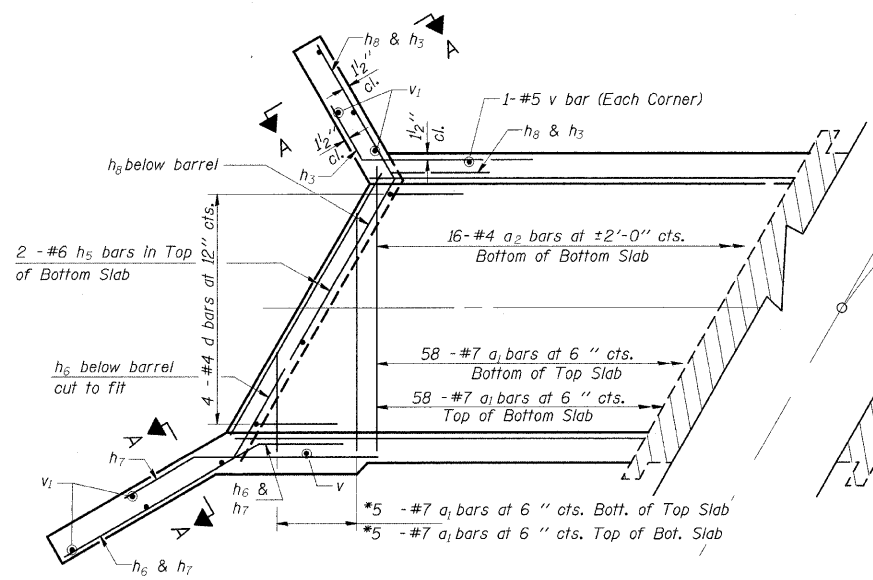
DESIGN STRESSES  
f<sub>y</sub> = 60,000 psi  
f'<sub>c</sub> = 3,500 psi

LOADING HS 20-44 & ALT.



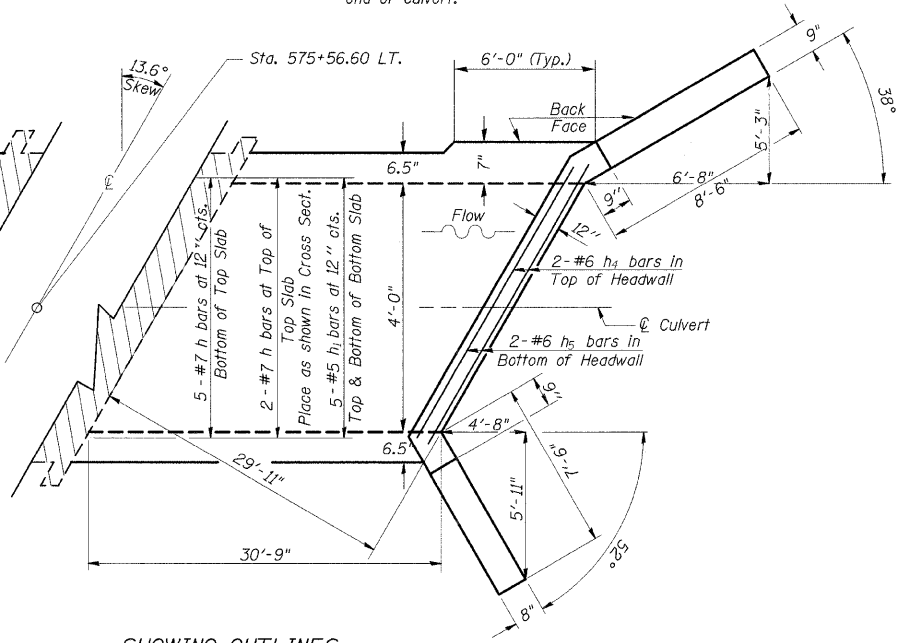
BARS h<sub>6</sub> & h<sub>7</sub>

\* a bars in skew portion of slab shall be ordered full length & cut to fit. Balance of bar to be used in opposite end of culvert.



SHOWING REINFORCEMENT

PLAN

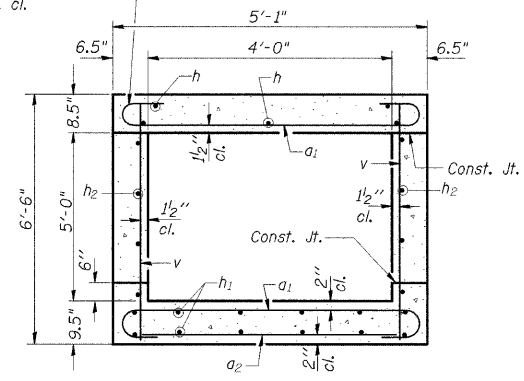


SHOWING OUTLINES

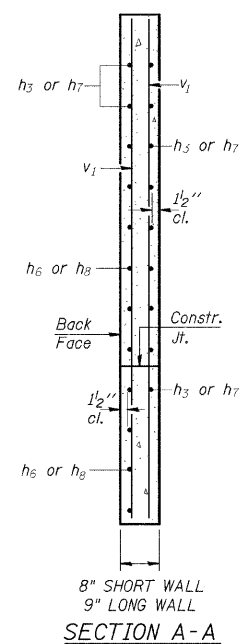
NOTES

A distance of half the length of the wingwall but not less than six feet of the barrel shall be poured monolithically with the wingwalls.  
Reinforcement Bars shall conform to the requirements of AASHTO M-31, M-42 or M-53, Grade 60.  
Bars indicated thus 12 x 4-#5 etc. indicates 12 lines of bars with 4 lengths per line.  
All construction joints shall be bonded.

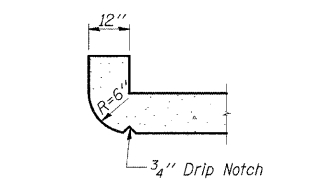
Tilt hook of a<sub>1</sub> bars if necessary for 1/2" min. cl.



SECTION THRU BARREL



SECTION A-A



SECTION THRU HEADWALL (Up Stream End Only)

BILL OF MATERIAL

Bar	No.	Size	Length	Shape	
a <sub>1</sub>	126	#7	7'-5"	U	
a <sub>2</sub>	17	#4	4'-3"	U	
d	4	#4	4'-6"	L	
h	7	#7	30'-6"	—	
h <sub>1</sub>	10	#5	30'-6"	—	
h <sub>2</sub>	10	#6	30'-6"	—	
h <sub>3</sub>	9	#5	8'-0"	—	
h <sub>4</sub>	6	#6	4'-1"	—	
h <sub>5</sub>	8	#6	4'-1"	—	
h <sub>6</sub>	10	#5	11'-6"	—	
h <sub>7</sub>	11	#5	8'-0"	—	
h <sub>8</sub>	8	#5	10'-6"	—	
v	108	#5	6'-2"	—	
v <sub>1</sub>	8	#4	6'-10"	—	
Expansion Bolts 3/4"				Each	12
Concrete Box Culverts				Cu. Yd.	20.3
Reinforcement Bars				Pound	4680

PRECAST OPTION NOT ALLOWED

ILLINOIS DEPARTMENT OF TRANSPORTATION  
BOX CULVERT EXTENSION  
STATION 575+56.60 LT.  
4' X 5', SKEW 13.6° RT. AH.  
EXTEND 30'-9"