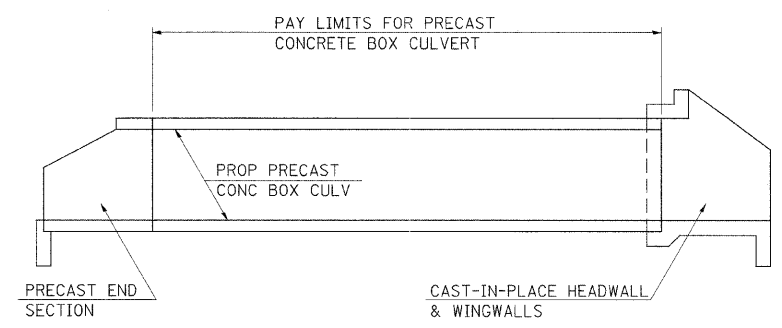
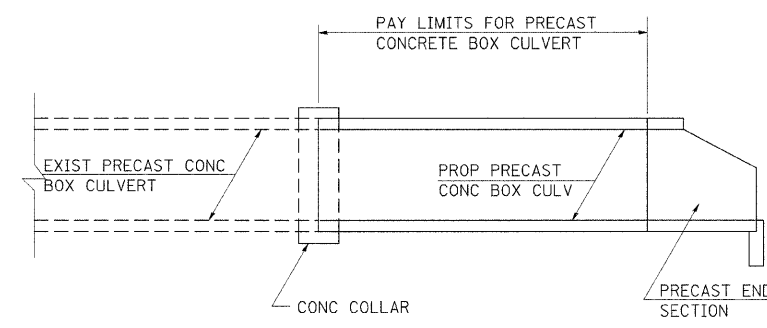
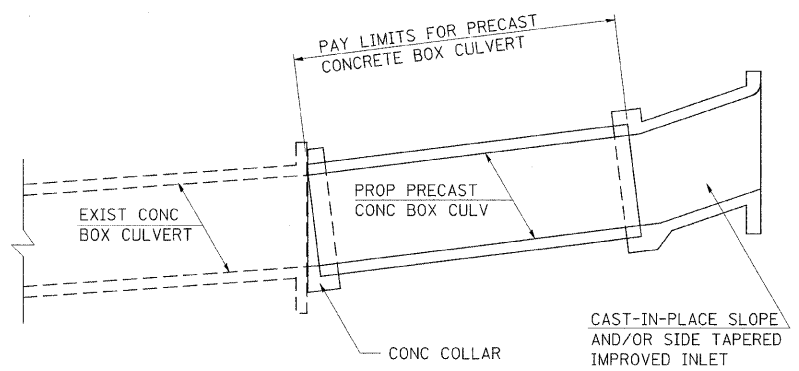
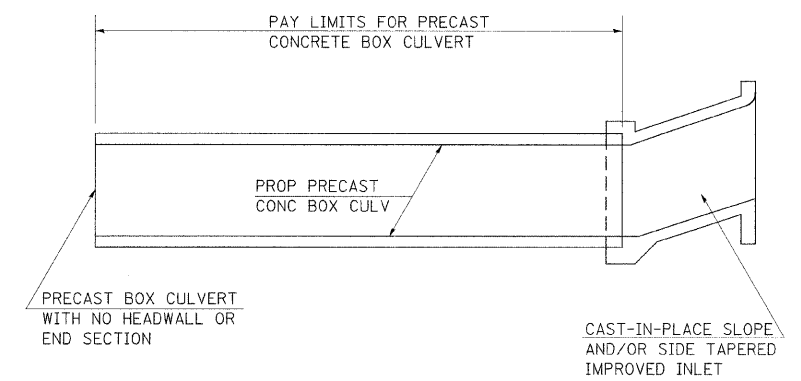
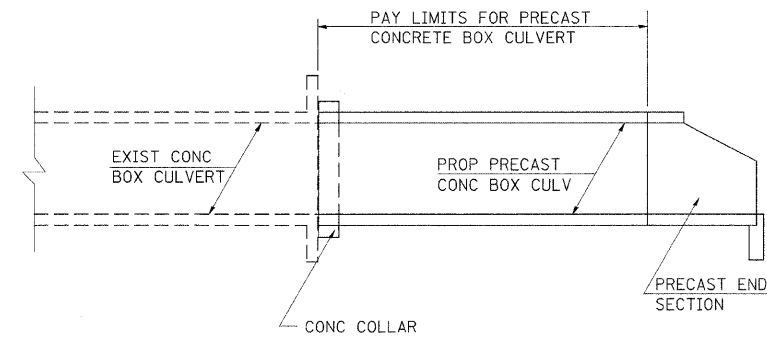
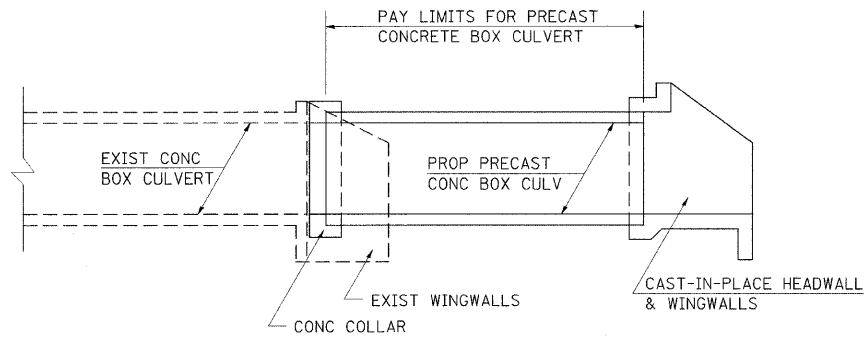


F.A.S. RTE.	SECTION	COUNTY	TOTAL SHEETS	SHEET NO.
932	(8,9,11)W,RS-1	*	401	202
STA.		TO STA.		
FED. ROAD DIST. NO. -		ILLINOIS	FED. AID PROJECT	
• JOHNSON & POPE				

PAYMENT LIMITS FOR PRECAST CONCRETE BOX CULVERTS



CULVERT EXTENSIONS

NEW CULVERTS

NOTES:

WHEN PRECAST CONCRETE BOX CULVERTS ARE SPECIFIED ON THE PLANS, THEY WILL BE MEASURED BY THE FOOT. THE OVERALL LENGTH SHALL BE MEASURED OUT-TO-OUT OF THE PRECAST SEGMENTS ALONG THE CENTERLINE OF THE CULVERT. THE BOX CULVERT END SECTIONS WILL BE MEASURED AS EACH. CAST-IN-PLACE COLLARS WILL NOT BE PAID FOR SEPERATELY, BUT SHALL BE INCLUDED IN THE COST OF THE PRECAST CONCRETE BOX CULVERT. SEE ARTICLE 540.08 OF THE STANDARD SPECIFICATIONS ADOPTED JANUARY 1, 2007.

THE TERM "BOX CULVERT END SECTION" AS USED HEREIN SHALL BE DEFINED AS EITHER PRECAST END SECTIONS OR CAST-IN-PLACE HEADWALLS AND WINGWALLS CONSTRUCTED AS SHOWN IN THE PLANS.

THROUGHOUT THESE PLANS, QUANTITIES SHOWN FOR CLASS SI CONCRETE AND REBARS TO BE USED IN COLLARS, HEADWALLS, WINGWALLS OR IMPROVED INLETS FOR PRECAST CONCRETE BOX CULVERTS ARE PROVIDED FOR INFORMATION AND BIDDING ONLY, AND SHALL NOT BE PAID FOR SEPERATELY.

REVISIONS			
DRAWN	8-14-90	REVISED	8-16-94
REVISED	7-19-91	REVISED	
REVISED	3-11-92	REVISED	
REVISED	12-9-92	REVISED	

STD. 9-81