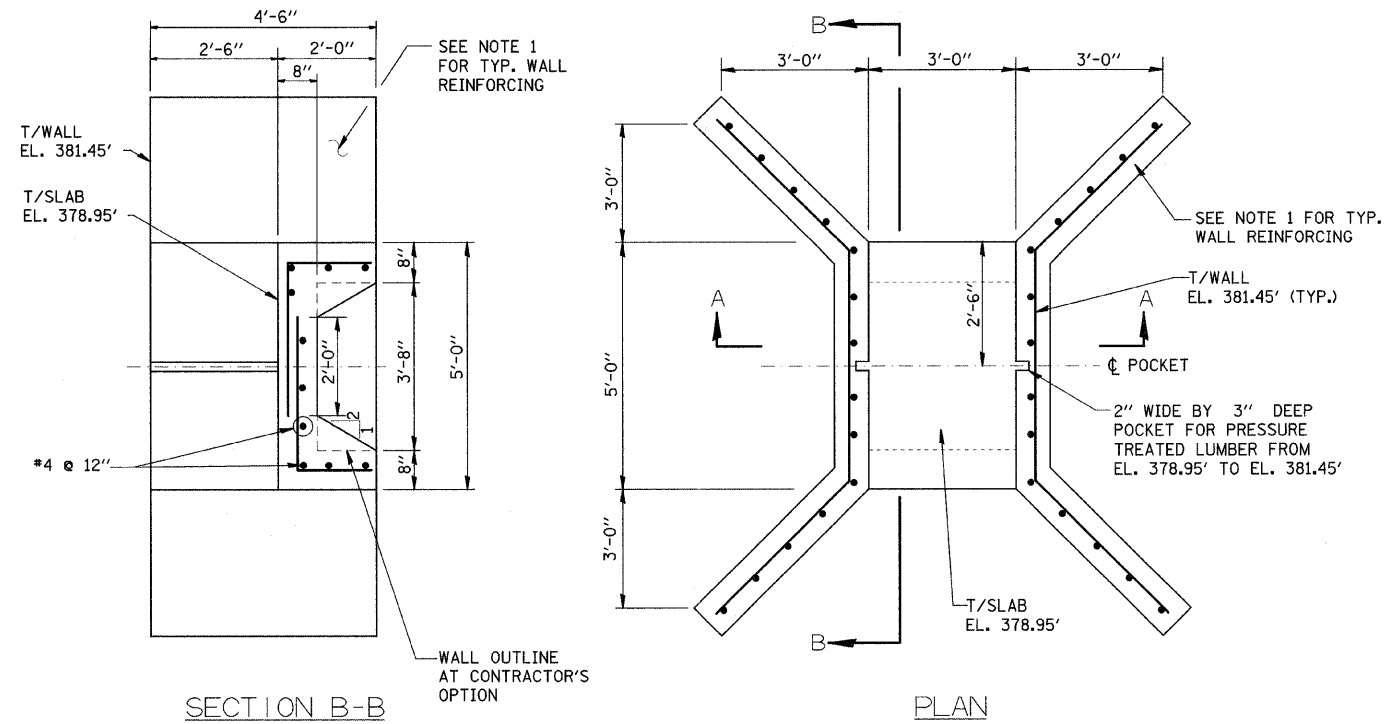


F.A.S. RTE.	SECTION	COUNTY	TOTAL SHEETS	SHEET NO.
932	(8,9,11)W,RS-1		401	205
STA.		TO STA.		
FED. ROAD DIST. NO.	ILLINOIS	FED. AID PROJECT		

* JOHNSON & POPE

DRAINAGE CONTROL STRUCTURE

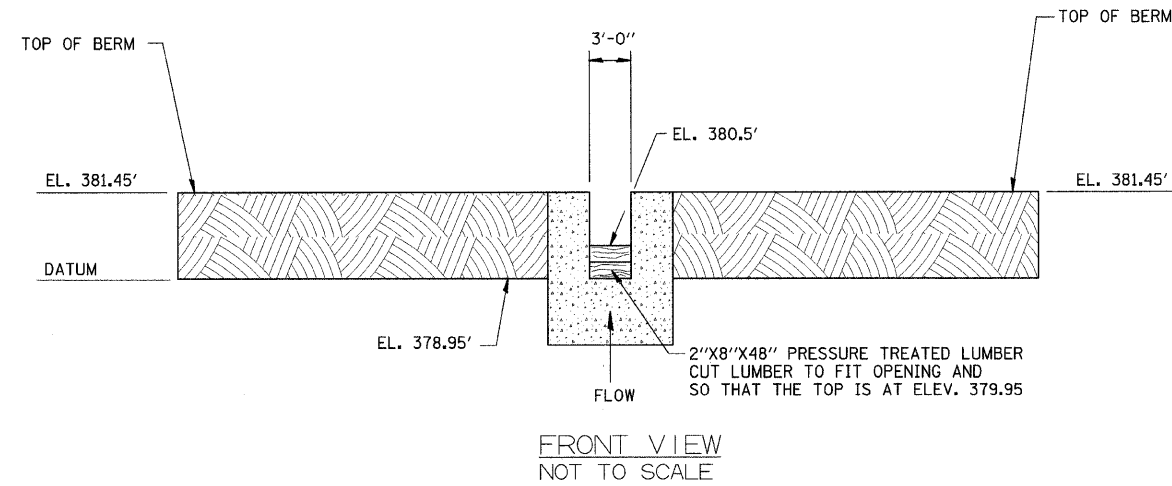
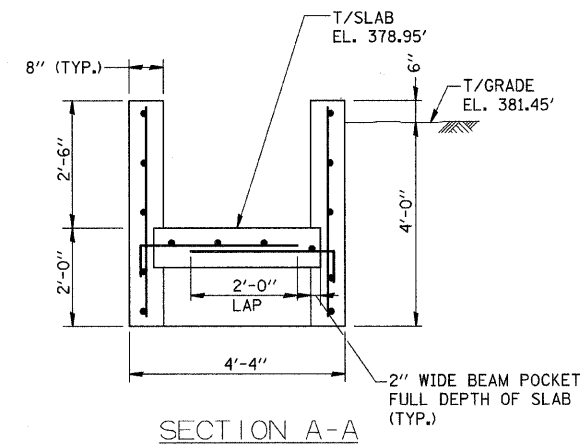


NOTES:

1. TYPICAL WALL REINFORCING VERTICAL BARS #4 @ 12"
HORIZONTAL BARS #5 @ 12".
2. PLACE WALL AND SLAB REINFORCING IN CENTER OF WALL.
3. ALL EXPOSED EDGES OF WALLS SHALL BE CHAMFERED 3/4".

BILL OF MATERIAL

Class SI Concrete (Miscellaneous)	Cu. Yds.	6.7
Reinforcement Bars	Lbs.	280
2"X8"X48" Pressure Treated Lumber	Each	2



REVISIONS		ILLINOIS DEPARTMENT OF TRANSPORTATION
NAME	DATE	

SCALE: VERT. HORIZ. DATE

DRAWN BY CHECKED BY

PLOT DATE = 8/7/2009
 FILE NAME = C:\p\proj\11\1103298\4-83-83\0803298.dgn
 PLOT SCALE = 50.0000 / 1 IN.
 USER NAME = rollav