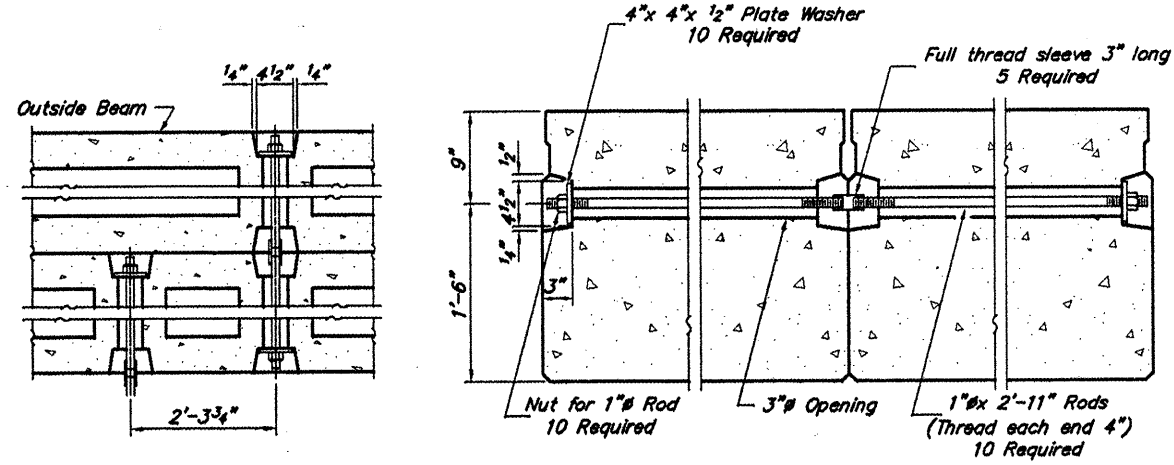
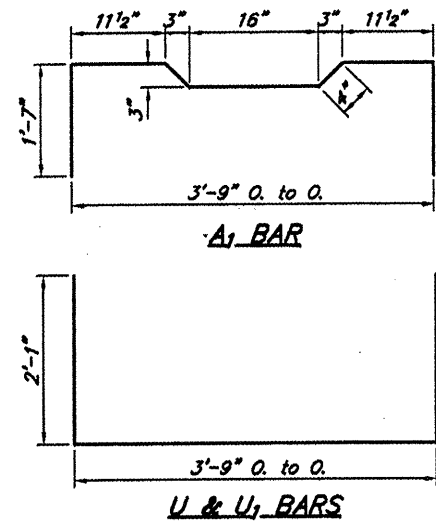
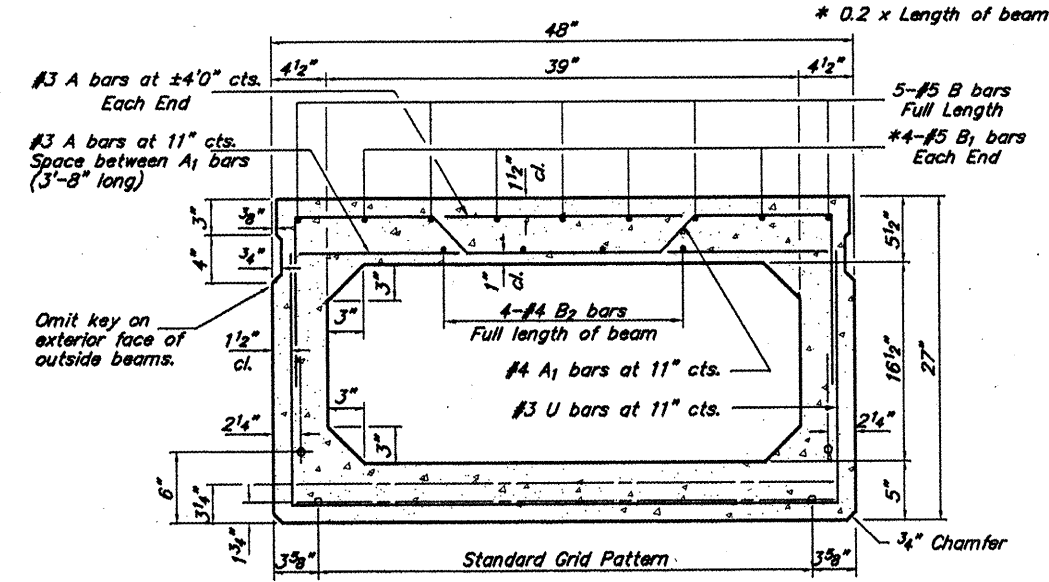


ROUTE	SECTION	COUNTY	TOTAL SHEETS	SHEET NO.
TR 265	04-01181-00-BR	UNION	10	5
PROJECT NO. BROS-181(25)		CONTRACT NO. 99316		



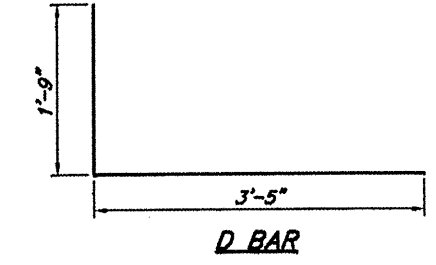
TYPICAL TRANSVERSE TIE ASSEMBLY



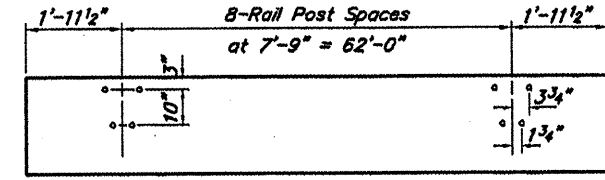
TYPICAL SECTION

23 - 1/2\"/>

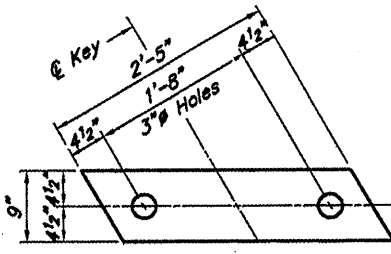
Note: Place strands symmetrically about center of beam.



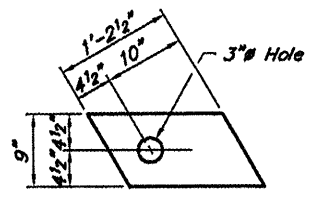
D BAR



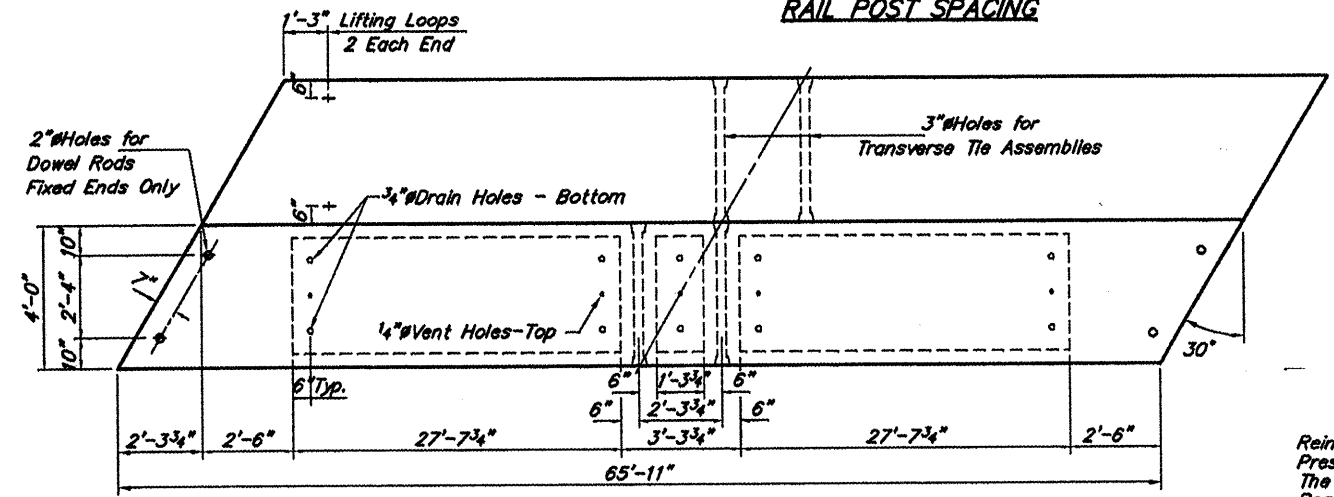
RAIL POST SPACING



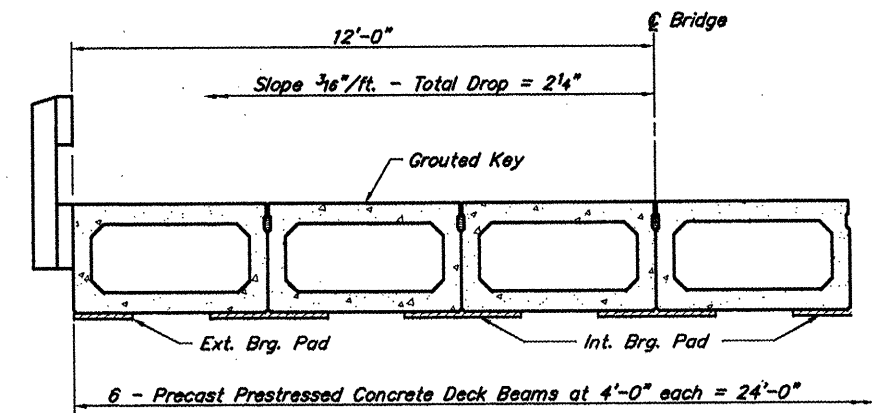
FABRIC BEARING PAD (Interior)



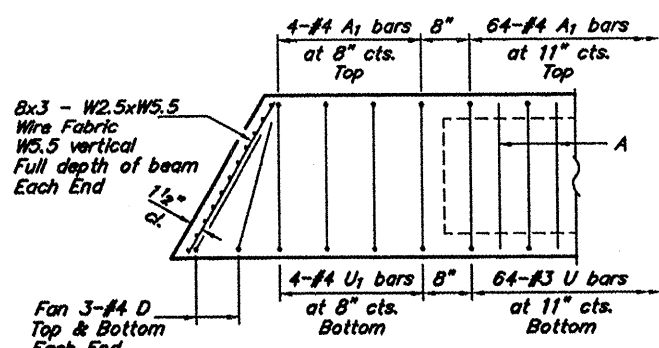
FABRIC BEARING PAD (Exterior)



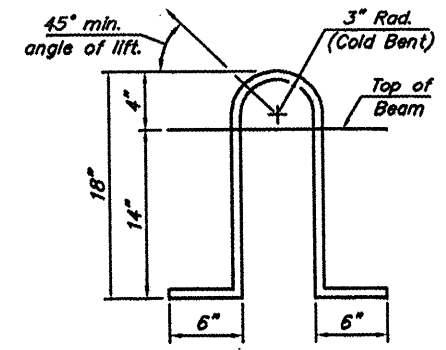
PLAN



HALF CROSS SECTION



END PLAN



LIFTING LOOP DETAIL

NOTES

Reinforcement bars shall conform to AASHTO M-31 or M-322, Grade 60. Prestressing steel shall be uncoated high strength, stress-relieved 7-wire strand, Grade 270. The nominal diameter shall be 1/2\"/>

Lifting loops shall be 3/4\"/>

Keyway surfaces shall be cleaned to remove form oil or other bond breaking material prior to shipment of the beams. Cleaning shall be done by sandblasting the keyway areas between the top of the beam and the bottom edge of the key.

The 1\"/>

The bearing seat surfaces shall be adjusted by shimming to assure firm and even bearing. Two 1/8\"/>

After beams have been erected, holes shall be drilled into substructure and anchor dowels placed. Dowel holes shall be filled with non-shrink grout to top of beam and allowed to cure a minimum of 24 hours prior to grouting the shear keys.

Nominal 1\"/>

Rail Post Anchor Devices shall be cast into exterior face of outside beams as elsewhere specified.

Cost of reinforcement and accessories cast into the beam, of bearing pads, and of grouting longitudinal shear keys is incidental to Precast Prestressed Concrete Deck Beams.

When Waterproofing Membrane System is specified, the top surface of the beams shall be finished in accordance with Article 504.06 of the Standard Specifications except that the surface shall not be roughened by brooming. The finished surface shall be free of depressions or high spots with sharp corners, and the top edge of keys shall be rounded or chamfered a min. of 1/4\"/>

BILL OF MATERIAL

Bar	No.	Size	Length	Shape
A	71	#3	3'-8"	—
A1	72	#4	7'-1"	—
B	10	#5	33'-8"	—
B1	8	#5	13'-0"	—
B2	8	#4	33'-6"	—
D	12	#4	5'-2"	—
U	64	#3	7'-3"	—
U1	8	#4	7'-3"	—
Precast Prestressed Concrete Deck Beams		Sq. Ft.	1582	

DECK BEAMS 27" X 48"  
 LINGLE CREEK  
 SECTION 04-01181-00-BR  
 UNION COUNTY