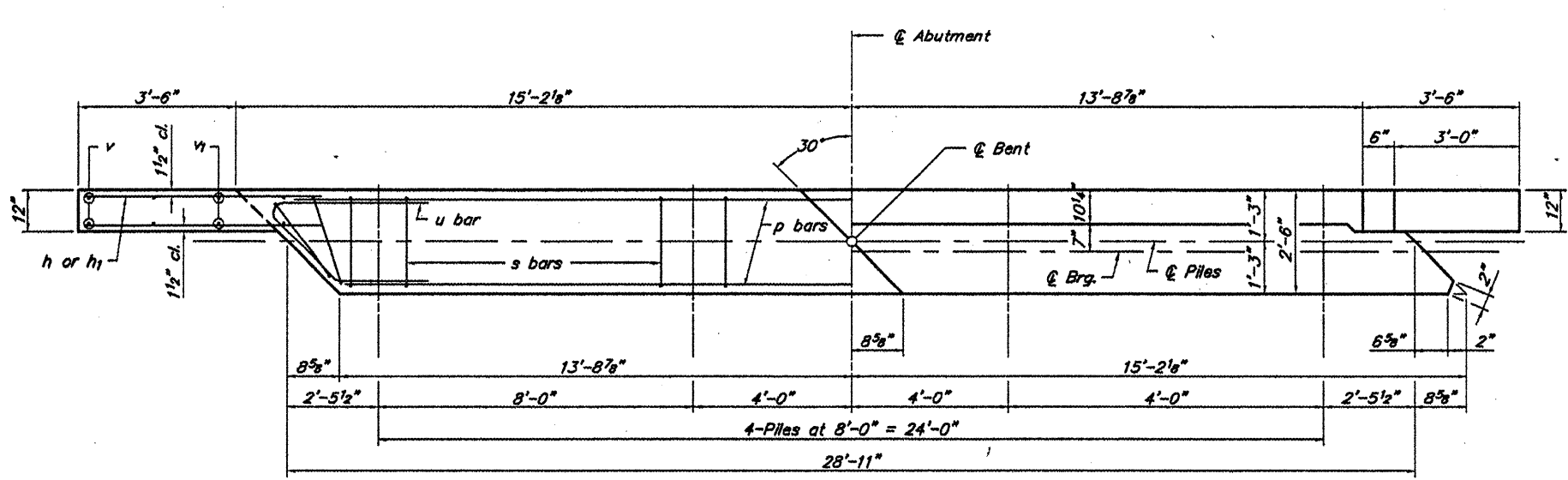
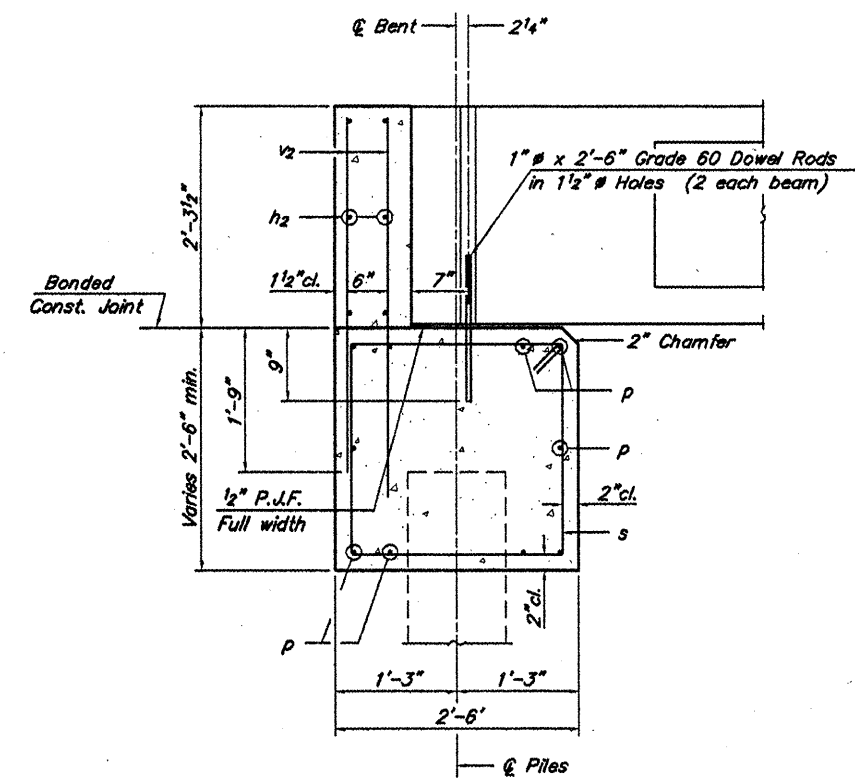


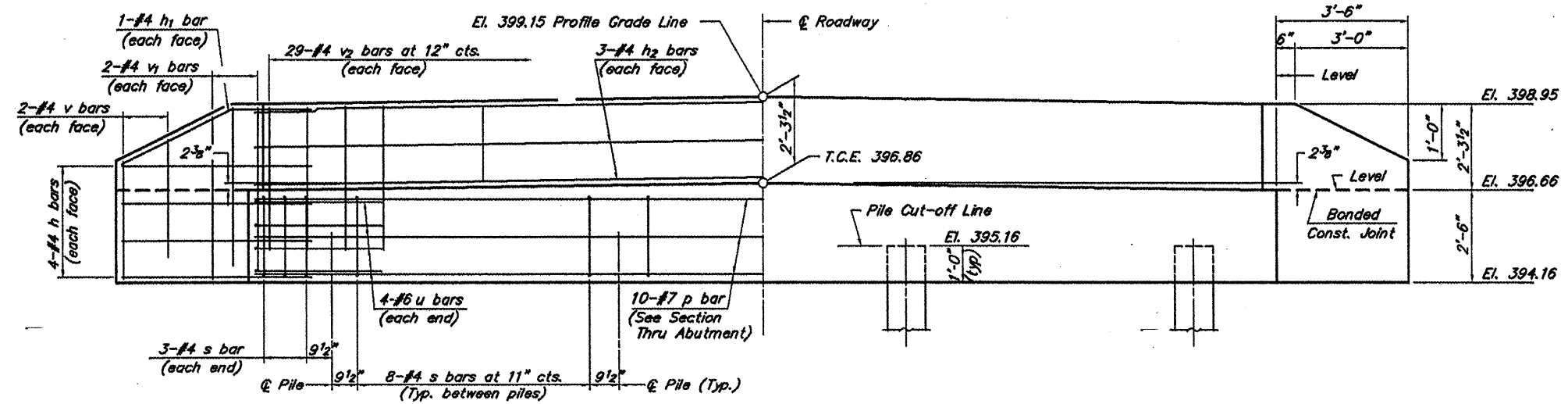
ROUTE	SECTION	COUNTY	TOTAL SHEETS	SHEET NO.
TR 265	04-01181-00-BR	UNION	10	6
PROJECT NO. BROS-181(25)		CONTRACT NO. 99316		



PLAN



SECTION THRU ABUT.
(At Right Angles)



ELEVATION

BAR LIST FOR ONE ABUTMENT

Bar	No.	Size	Length	Shape
h	16	#4	5'-6"	—
h1	4	#4	5'-6"	—
h2	8	#4	28'-7"	—
p	10	#7	28'-7"	—
s	30	#4	9'-5"	□
u	8	#6	11'-4"	—
v	8	#4	3'-2"	—
v1	8	#4	4'-2"	—
v2	58	#4	3'-11"	—

QUANTITIES FOR ONE ABUTMENT

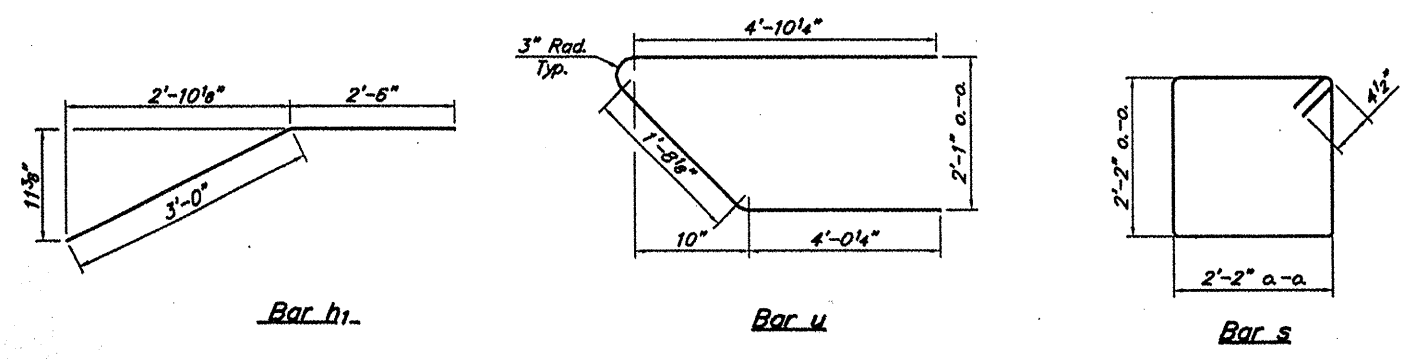
Concrete Structures	10.2 Cu. Yds.
Reinforcement Bars	1290 Lbs.

NOTES

- The Backwall and the portion of the Wingwalls above the bonded construction joint shall be cast against the in-place beam.
- Reinforcement bars shall conform to A.A.S.H.T.O. M-31, M-42 or M-53, Grade 60.
- Space reinforcement in cap to miss dowel rods.

DESIGN STRESSES

$f'_c = 3,500$ psi
 $f_y = 60,000$ psi



ABUTMENTS
LINGLE CREEK
SECTION 04-01181-00-BR
UNION COUNTY