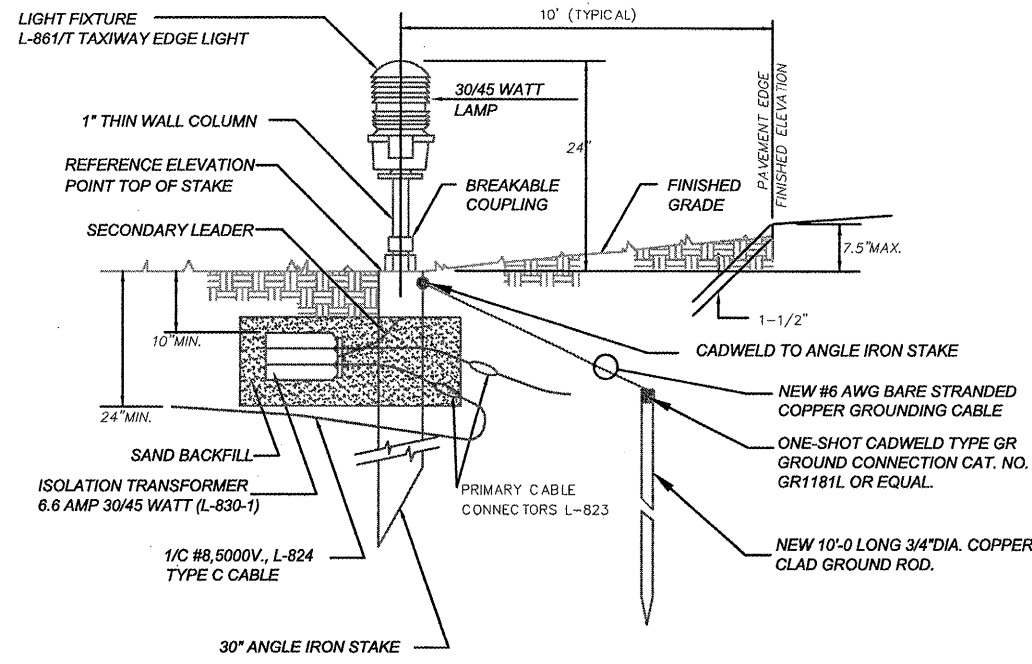


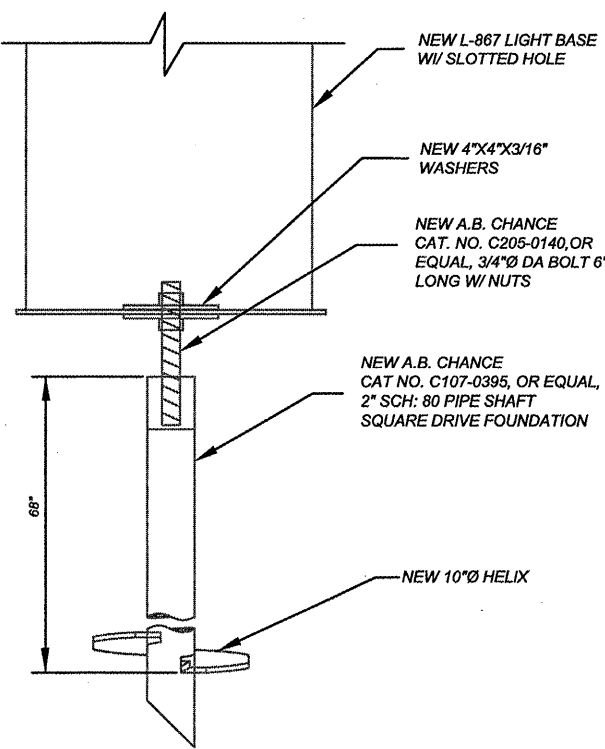
AR800808 MTL-BASE MOUNTED, ANCHORED
NOT TO SCALE

NOTES

1. TRANSFORMER HOLDER SHALL BE ANY COMMERCIALY AVAILABLE BRICK.
2. ISOLATION TRANSFORMERS COME WITH A FACTORY INSTALLED PLUG (TYPE 1, CLASS A, STYLE 2) AND RECPACLE (TYPE 1, CLASS A, STYLE 9) A TYPE 1, CLASS B, STYLE 3 PLUG AND TYPE 1, CLASS B, STYLE 10 RECEPTACLE SHALL BE INSTALLED ON THE 1/C NO. 8, 5000 V., L-824 TYPE C CABLES FOR CONNECTION TO EACH TRANSFORMER.



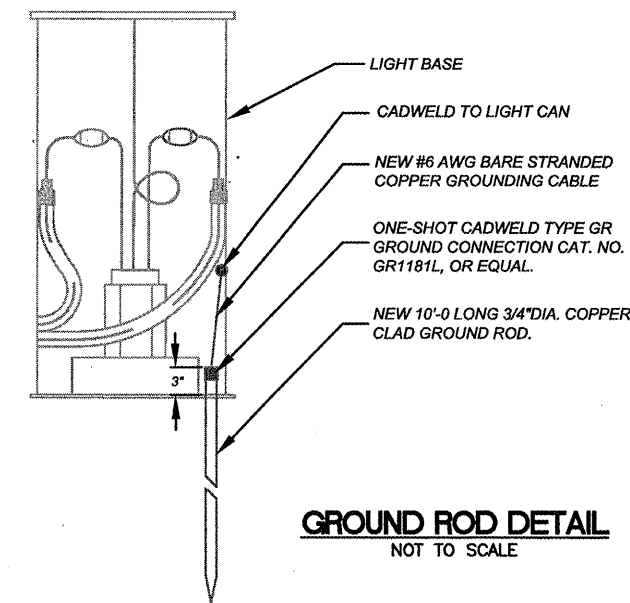
**STAKE MOUNTED
MEDIUM INTENSITY TAXIWAY LIGHT**
NOT TO SCALE



ANCHOR CONNECTION DETAIL
NOT TO SCALE

NOTES

1. ANCHOR CONNECTION SHALL BE COMPLETED IN ACCORDANCE TO THE MANUFACTURERS SPECIFICATION.



GROUND ROD DETAIL
NOT TO SCALE

NOTES

1. GROUND ROD SHALL BE INCIDENTAL TO THE ASSOCIATED PAY ITEM.
2. ALL WORK TO RETROFIT EXISTING AND NEW LIGHT BASES SHALL BE INCIDENTAL TO PAY ITEM.

**ELECTRICAL DETAILS 2
TAXIWAYS A**

WH007



CRAWFORD, MURPHY & TILLY, INC.
CONSULTING ENGINEERS
© Copyright CMT, Inc.

Whiteside County **AIRPORT**
JOSEPH H. BITTORE FIELD

**Whiteside County
Airport**

**Sterling / Rock Falls,
Illinois**

**Whiteside County
Airport**

**AIP: 3-17-0098-B14
SQI-3830**

**REHABILITATE
TAXIWAY EDGE
LIGHTS (PARALLEL
/ CONNECTING
TAXIWAYS A AND E
EAST OF RUNWAY
18/36)**

Revisions

No.	Date	Description

0 1
THIS BAR IS EQUAL TO 1"
AT FULL SCALE (17 X 11).

DESIGN BY: CMT-RFD
DRAWN BY: CMT-RFD
CHECKED BY: CMT-RFD
APPROVED BY: JGP
DATE: 7.25.2008
JOB No: 08292-04-00

**ELECTRICAL
DETAILS 2
TAXIWAY A
(EDT2)**

13