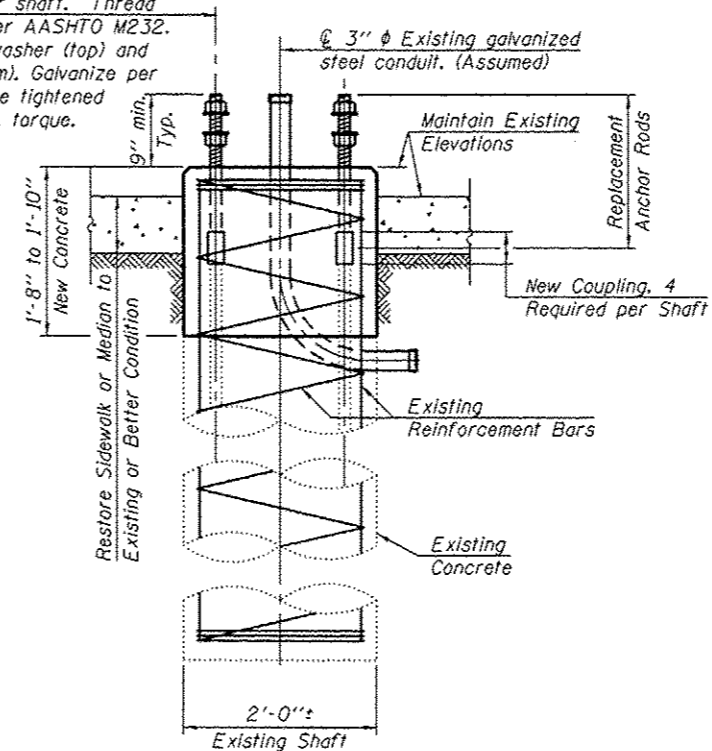
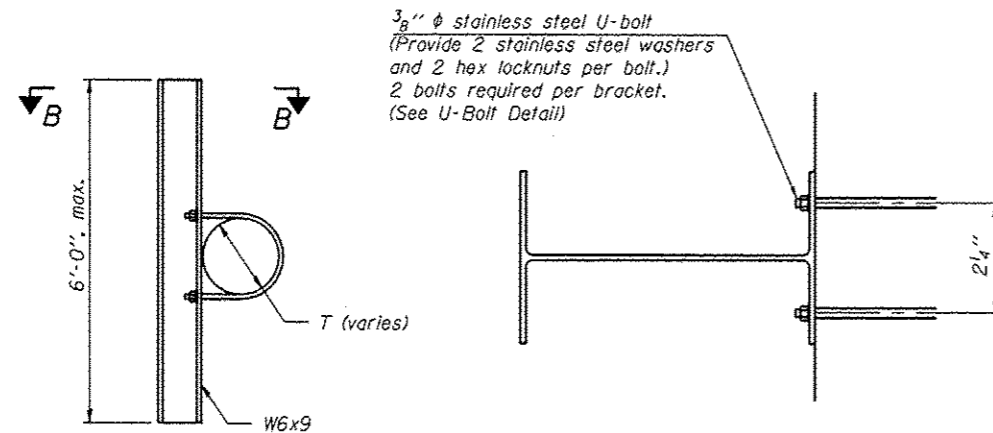


**EXISTING RIGHT OR LEFT  
SIGN STRUCTURE FOUNDATION**

4 New Anchor rod, 4 Required per shaft. Thread upper 8". Galvanize upper 18" per AASHTO M232. Provide one hexagon locknut and washer (top) and one leveling nut and washer (bottom). Galvanize per AASHTO M232. Nuts shall each be tightened against base plate with 200 lb.-ft. torque.



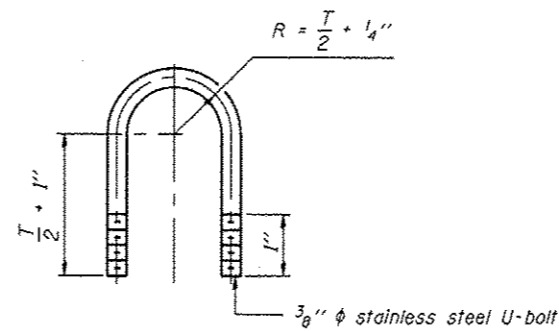
**PROPOSED RIGHT OR LEFT  
SIGN STRUCTURE FOUNDATION**



**SIGN MOUNTING BRACKET**  
(Minimum 2 Brackets Each Sign)

3/8"  $\phi$  stainless steel U-bolt  
(Provide 2 stainless steel washers and 2 hex locknuts per bolt.)  
2 bolts required per bracket.  
(See U-Bolt Detail)

**SECTION B-B**  
6'-0" maximum spacing.  
2'-0" maximum sign overhang beyond end bracket.



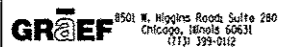
**U-BOLT DETAIL**  
(Typical)

**LEGEND**  
 Indicates Concrete Removal.  
 Indicates Existing Structure.

**NOTES**

- Galvanized steel conduit is assumed to be at one or both foundations.
- It shall be the Contractor's responsibility to verify all dimensions and conditions existing in the field prior to construction and ordering materials.
- The foundation work shown is paid for as REBUILD CONCRETE FOUNDATION FOR OVERHEAD SIGN STRUCTURE.

H:\Jobs\2011\2011012-44\CAD\Site\00\46291-s2monotube-con&det.dgn  
 8/7/2013 3:51:10 PM



USER NAME =	DESIGNED -	REVISED
PLOT SCALE =	CHECKED -	REVISED
PLOT DATE =	DRAWN - 08/01/2013	REVISED
	CHECKED -	REVISED

STATE OF ILLINOIS  
DEPARTMENT OF TRANSPORTATION

MONOTUBE SIGN STRUCTURE  
RECONSTRUCTED FOUNDATIONS & DETAILS, LOCATION 1

SHEET NO. 521 OF 28 SHEETS

F.A. RTE.	SECTION	COUNTY	TOTAL SHEETS	SHEET NO.
VAR. 01 OVO SIN STR REPL14-30		VARIOUS	47	30
			CONTRACT NO. 46291	

ILLINOIS FED. AID PROJECT