

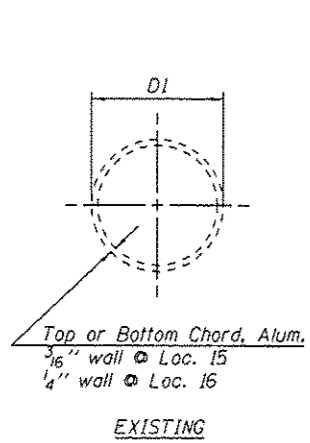
ELEVATION VIEW OF SIGN STRUCTURES LOOKING IN DIRECTION OF TRAFFIC FLOW

NOTES

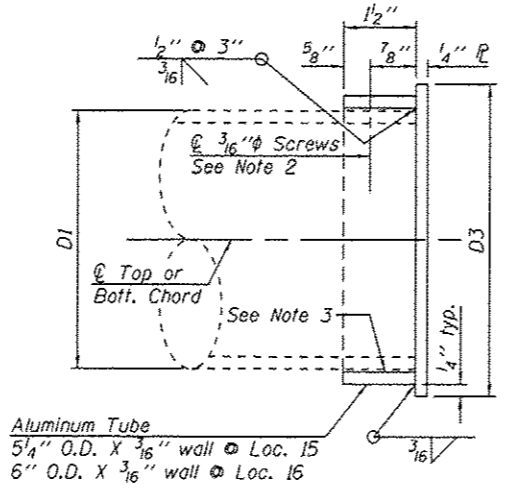
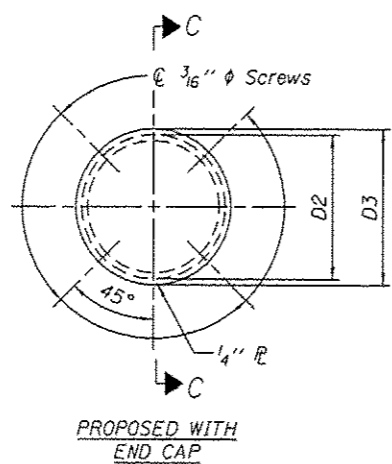
1. Bolts shall be 1/4" diameter Hex Head stainless steel with holes field drilled into stop block. Four bolts are required per cap. One cap is required on front chord.
2. Screws shall be 3/16" diameter stainless steel self threading with holes field drilled into existing chord tubes. Four screws are required per cap. Two caps are required at Location 15 and one cap is required at Location 16 on the back chord.
3. Provide aluminum or stainless steel 1/4" width shim all around to provide snug fit between existing aluminum chord and proposed end cap. Theoretical shim thickness is less than 0.0625". Size (diameter) of existing aluminum chords should be field measured by Contractor to determine required shim thicknesses.
4. It shall be the Contractor's responsibility to verify all dimensions existing in the field prior to construction and ordering materials.

CAP DIMENSIONS

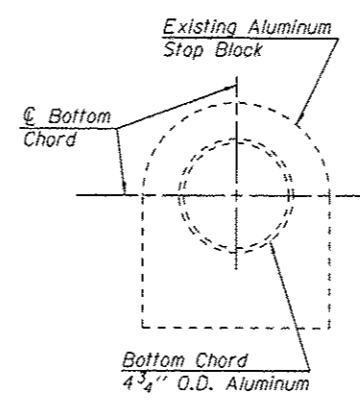
Location	D1	D2	D3
15	4 3/4"	5 1/4"	5 3/4"
16	5 1/2"	6"	6 1/2"



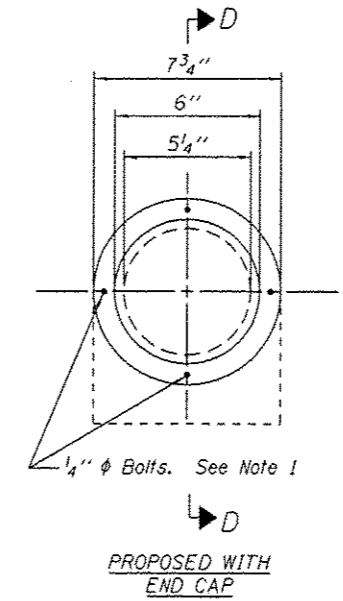
VIEW A-A



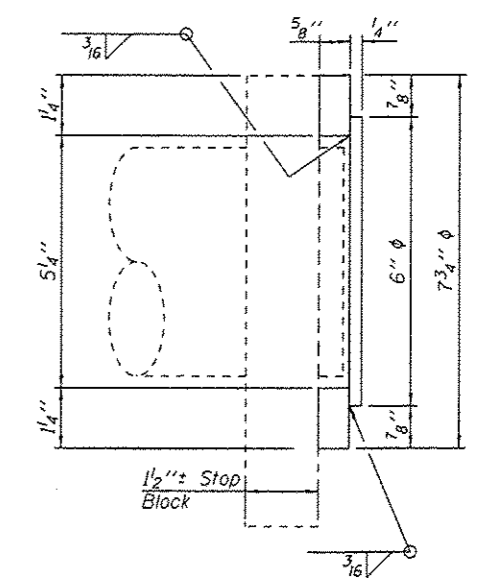
SECTION C-C



EXISTING

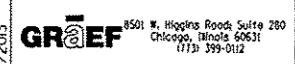


VIEW B-B



SECTION D-D

R:\Jobs\2011\20110302-44\ACAD\Site\Drawn\00\046291-e23misc-15&16.dgn
 8/1/2013 3:15:11 PM



USER NAME =	DESIGNED - JJC	REVISED
PLLOT SCALE =	CHECKED -	REVISED
PLLOT DATE =	DRAWN - 08/01/2013	REVISED
	CHECKED -	REVISED

STATE OF ILLINOIS
DEPARTMENT OF TRANSPORTATION

SIGN STRUCTURE REPAIRS
END CAPS, LOCATIONS 15 & 16
SHEET NO. 523 OF 28 SHEETS

F.A. RTE.	SECTION	COUNTY	TOTAL SHEETS	SHEET NO.
VAR. D1 OVD SIN STR REPL14-30		VARIOUS	47	32
CONTRACT NO. 46291			ILLINOIS FED. AID PROJECT	