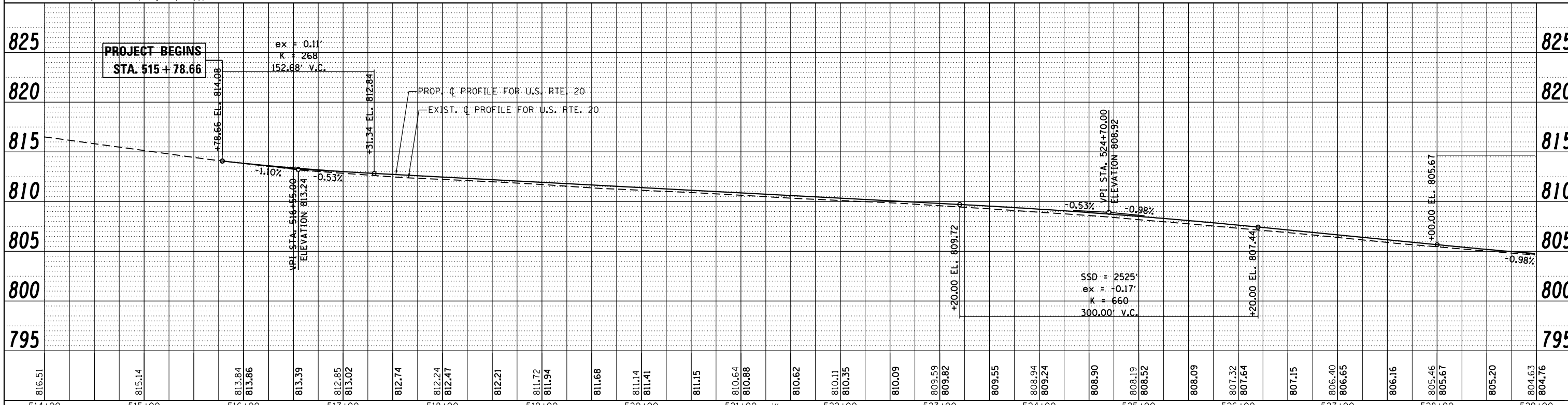
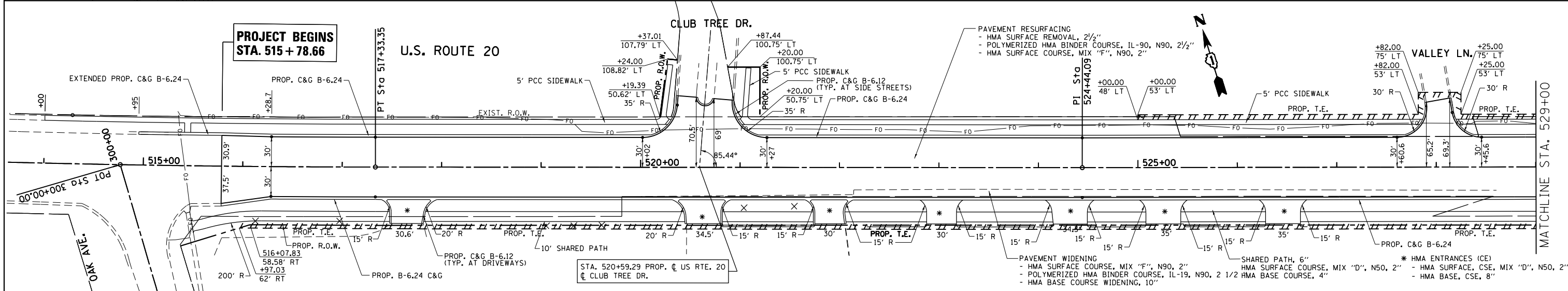
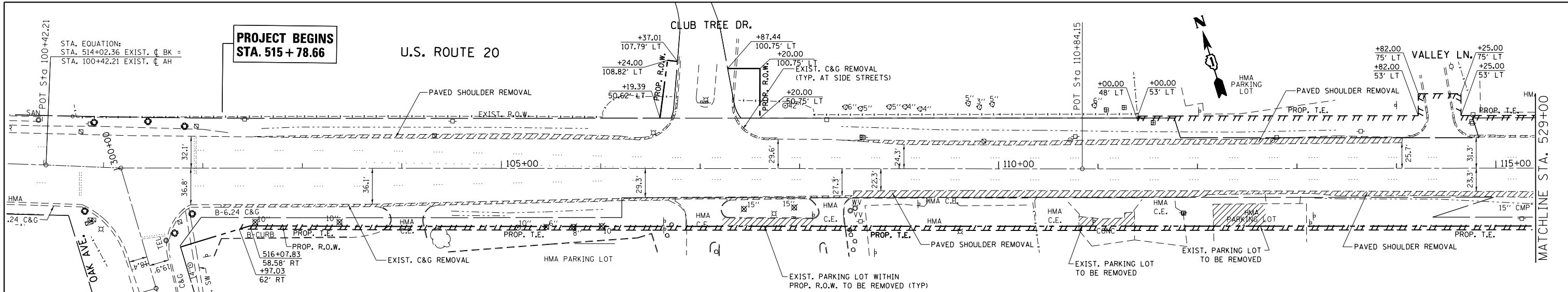


| | | | |
|------|-----------|----|------|
| PLAN | SURVEYED | BY | DATE |
| | PLOTTED | | |
| | NOTE BOOK | | |
| | NO. | | |
| | ALIGNED | | |
| | CHECKED | | |
| | FILE NAME | | |

| | | | |
|---------|----------------|----|------|
| PROFILE | SURVEYED | BY | DATE |
| | GRADES CHECKED | | |
| | STRUCTURE | | |
| | NOTATIONS | | |
| | CHPND | | |



| | | | | | | | | | | | | | | | | | | | | | | | | | | | | | | | | | | | | | | | | | | |
|--------|--------|--------|--------|--------|--------|--------|--------|--------|--------|--------|--------|--------|--------|--------|--------|--------|--------|--------|--------|--------|--------|--------|--------|--------|--------|--------|--------|--------|--------|--------|--------|--------|--------|--------|--------|--------|--------|--------|--------|--------|--------|--------|
| 816.51 | 815.14 | 813.84 | 813.86 | 813.39 | 812.85 | 813.02 | 812.74 | 812.24 | 812.47 | 812.21 | 811.72 | 811.94 | 811.68 | 811.14 | 811.41 | 811.15 | 810.64 | 810.88 | 810.62 | 810.11 | 810.35 | 810.09 | 809.59 | 809.82 | 809.55 | 808.94 | 809.24 | 808.90 | 808.19 | 808.52 | 808.09 | 807.32 | 807.64 | 807.15 | 806.40 | 806.65 | 806.16 | 805.46 | 805.67 | 805.20 | 804.63 | 804.76 |
| 514+00 | 515+00 | 516+00 | 517+00 | 518+00 | 519+00 | 520+00 | 521+00 | 522+00 | 523+00 | 524+00 | 525+00 | 526+00 | 527+00 | 528+00 | 529+00 | | | | | | | | | | | | | | | | | | | | | | | | | | | |