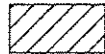


LEGEND

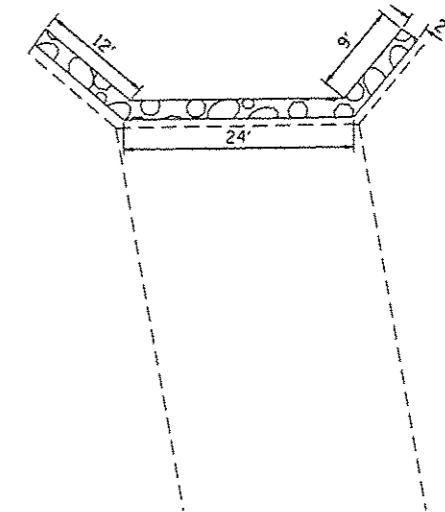
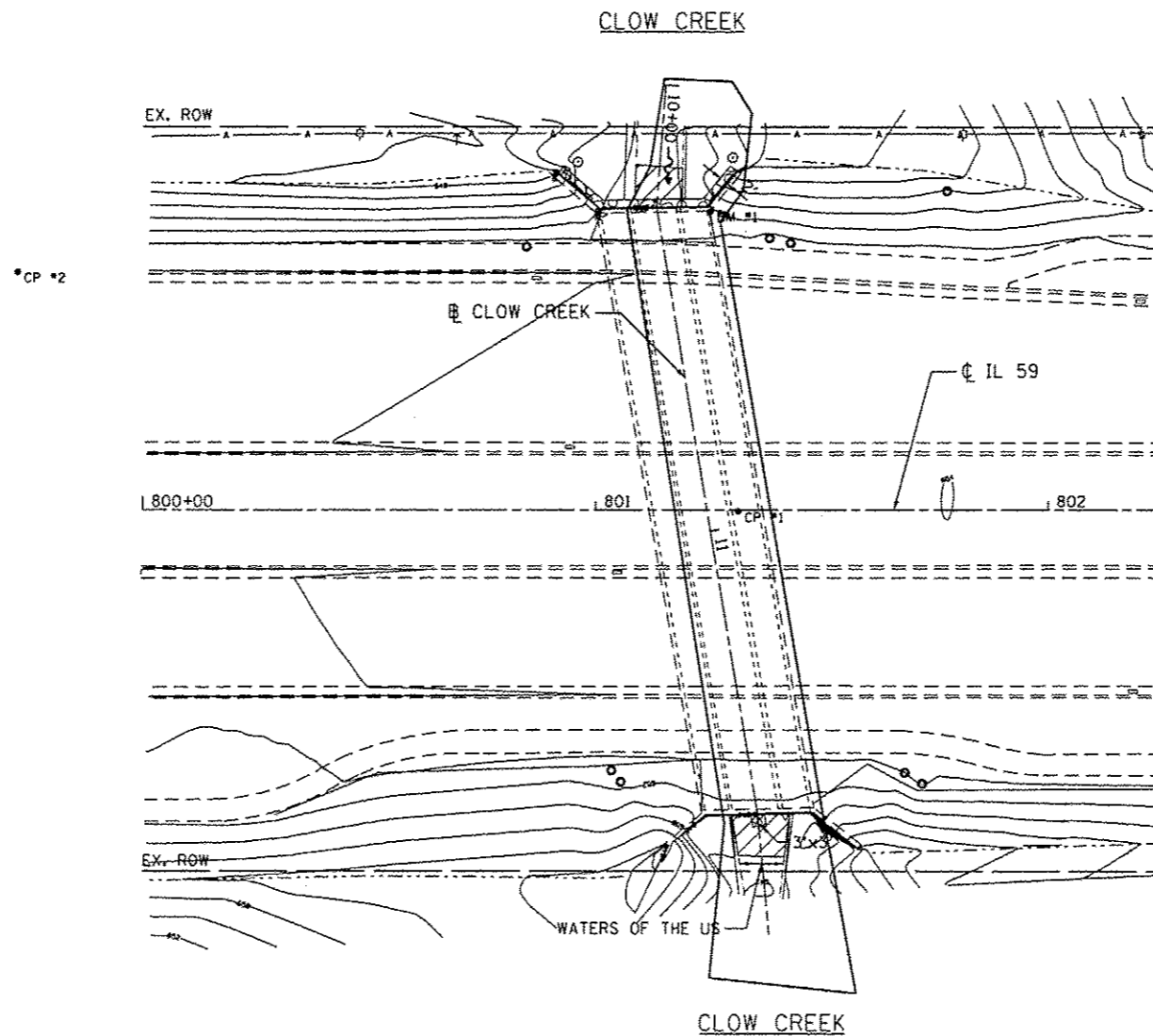


PERMANENT IMPACTS TO THE WATERS OF THE U.S. = 0.0022 ACRES
STONE RIPRAP, CLASS A4 (2' THICK) - 6 TONS

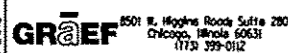


TEMPORARY IMPACTS TO THE WATERS OF THE U.S. = 0.0037 ACRES

- CP 1 - SET REBAR IN GRASS MEDIAN OF IL 59
- CP 2 - SET "X" IN TOP OF CURB ON THE WEST SIDE OF IL 59
ELEV. = 653.06
- CP 3 - CUT "□" IN NW CORNER HEADWALL
ELEV. = 652.18



9FILES 3/12/2013 11:24:39 AM



| | | |
|----------------------------|-------------------|-----------|
| USER NAME = 1485 | DESIGNED - | REVISED - |
| | DRAWN - | REVISED - |
| PLOT SCALE = 48.8000' / 1" | CHECKED - | REVISED - |
| PLOT DATE = 3/12/2013 | DATE = 03/20/2013 | REVISED - |

**STATE OF ILLINOIS
DEPARTMENT OF TRANSPORTATION**

**COOK & WILL COUNTY RIP RAP IMPROVEMENTS
SN 099-2001 IL 59 OVER CLOW CREEK - EROSION PLAN**

SCALE: 1"=20' | SHEET 2 OF 2 SHEETS | STA. TO STA.

| F.A. RTE. | SECTION | COUNTY | TOTAL SHEETS | SHEET NO. |
|---------------------------|------------|-----------|--------------------|-----------|
| - | 2012-007 I | COOK/WILL | 38 | 30 |
| • VARIOUS ROUTES | | | CONTRACT NO. 60T53 | |
| ILLINOIS FED. AID PROJECT | | | | |