

GENERAL NOTES

- Reinforcement bars designated (E) shall be epoxy coated.
- The foundation design is based on the following maximum reactions applied at the top of the footing:
 - 1068 kips (vertical), 882 kips (horizontal)

The contractor shall verify that the selected structure meets these design parameters. If the design parameters are exceeded, a complete foundation design with calculations, details, and the required seals shall be submitted for review.

- The Contractor shall furnish all tools, materials and equipment necessary to ensure the precast units do not incur cracking while being transported to the project site and when being installed. These provisions shall account for the site restriction of the existing concrete lined channel of the Waubonsie Creek waterway that cannot be removed.
- No work will be performed within the limits of the existing concrete channel.
- The contractor will not be allowed to cross Waubonsie Creek with any vehicles or equipment. The cost for all materials and labor necessary to comply with the above provision will not be paid for separately, but shall be considered as included in the unit bid prices of the contract and no additional compensation will be allowed.
- If the Contractor deems it necessary to drive or operate equipment or vehicles over or immediately adjacent to the Enbridge pipeline, the ONEOK pipeline, or the Nicor gas main, the Contractor will be required to design and install temporary mats over the pipeline. The design shall be submitted to the Engineer for review and approval by the affected utility.
- Any excavation within 10 feet of the Enbridge pipeline will require prior notification of Enbridge so the utility can make arrangements to provide an onsite inspector when that work is being performed.
- Any excavation within 2 feet of the Enbridge pipeline will require non-mechanical excavation.
- The contractor shall contact the local supervisor for ONEOK, Jeff Schaefer at 630-257-5404 extension 2528 before performing any construction near the ONEOK pipeline.
- The contractor shall contact NICOR before performing any construction near the NICOR gas main.

11. There are existing 138 kv and 345 kv lines within the project limits; the contractor needs to be aware that no outage or protection can be provided to these facilities with the one exception noted below. The plans include pay items for micro piles for this reason. Per ComEd and OSHA requirements, without the on-site presence of a representative of ComEd, all contract activities must stay 30 feet in any direction from the 345 kv lines and any ComEd conductors and 20 feet from the 138 kv lines. With on-site ComEd supervision, all contract activities must stay 20 feet in any direction from the 345 kv lines and any ComEd conductors and 13 feet from the 138 kv lines.

A one-time outage of one circuit only for each of the 138 kv and 345 kv transmission line systems may be allowed for lift in of the precast concrete units of the structure over Waubonsie Creek. The contractor shall be responsible for scheduling and arranging in advance with ComEd whether and when these outages can be provided. Outages of five days or less must be requested at least ten (10) weeks in advance. An outage between five and 30 days long must be requested seven months in advance. The contractor shall exercise extreme caution in working around these facilities and any other underground facilities and shall insure conflicts with cranes and other equipment are avoided entirely. The cost to comply with these requirements will not be paid for separately but shall be included in the cost of the precast arch structure pay items.

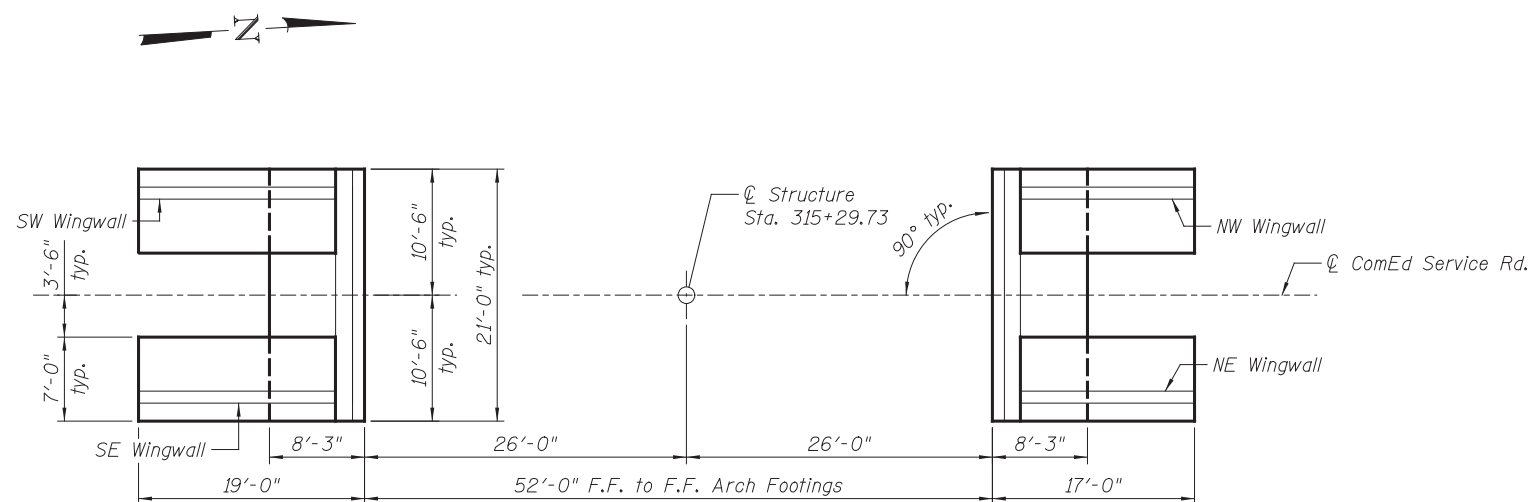
INDEX OF SHEETS

- S-1 General Plan and Elevation
- S-2 General Notes, Bill of Materials, and Index of Sheets
- S-3 Temporary Soil Retention System
- S-4 Headwall Details
- S-5 Wingwall and Arch Footing Details 1
- S-6 Wingwall and Arch Footing Details 2
- S-7 Soil Borings 1
- S-8 Soil Borings 2

BILL OF MATERIALS

| Item | Unit | Total |
|--|---------|--------|
| Structure Excavation | Cu. Yd. | 298 |
| Concrete Structures | Cu. Yd. | 118.5 |
| Concrete Superstructure | Cu. Yd. | 55.3 |
| Reinforcement Bars, Epoxy Coated | Pound | 26,370 |
| Name Plates | Each | 1 |
| Geocomposite Wall Drain | Sq. Yd. | 54 |
| * Micro-piles | Each | 44 |
| * Micropile Proof Load Test | Each | 1 |
| * Granular Backfill for Structures | Cu. Yd. | 71 |
| * Pipe Underdrains for Structures 4" | Foot | 66 |
| * Temporary Soil Retention System | Sq. Ft. | 855 |
| * Three-Sided Precast Concrete Structures 54'x10', Special | Foot | 18 |

*Special Provision



FOOTING LAYOUT



| | | |
|--------------|----------------|---------|
| USER NAME = | DESIGNED - KMP | REVISED |
| | CHECKED - AMK | REVISED |
| PLOT SCALE = | DRAWN - KMP | REVISED |
| PLOT DATE = | CHECKED - AMK | REVISED |

**STATE OF ILLINOIS
DEPARTMENT OF TRANSPORTATION**

**GENERAL NOTES, BILL OF MATERIALS, AND INDEX OF SHEETS
STRUCTURE NO. 022-3046**

SHEET NO. S-2 OF S-8 SHEETS

| | | | | |
|--------------------|-----------|--------|--------------|-----------|
| F.A.P. RTE. | SECTION | COUNTY | TOTAL SHEETS | SHEET NO. |
| 311 | 2012-0371 | DuPage | 45 | 24 |
| CONTRACT NO. 60T83 | | | | |

ILLINOIS FED. AID PROJECT