

**TWO HEADWALLS  
BILL OF MATERIAL**

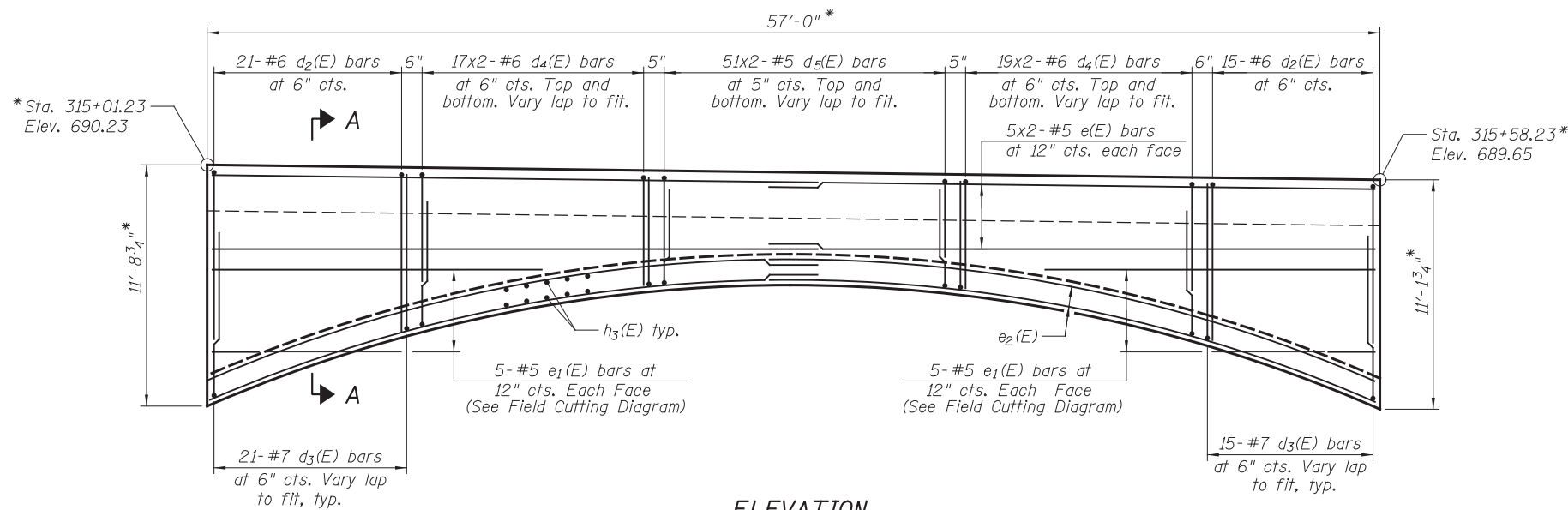
Bar	No.	Size	Length	Shape
d(E)	118	#5	3'-0"	—
d <sub>1</sub> (E)	118	#5	1'-9"	┌
d <sub>2</sub> (E)	72	#6	15'-8"	┌
d <sub>3</sub> (E)	72	#7	15'-8"	┌
d <sub>4</sub> (E)	144	#6	12'-2"	┌
d <sub>5</sub> (E)	204	#5	10'-0"	┌
e(E)	40	#5	30'-2"	—
e <sub>1</sub> (E)	20	#5	18'-9"	—
e <sub>2</sub> (E)	48	#5	31'-0"	—
h <sub>3</sub> (E)	236	#5	4'-2"	—
Concrete Superstructure		Cu. Yd.	55.3	
Reinforcement Bars, Epoxy Coated		Pound	13,580	

**NOTES**

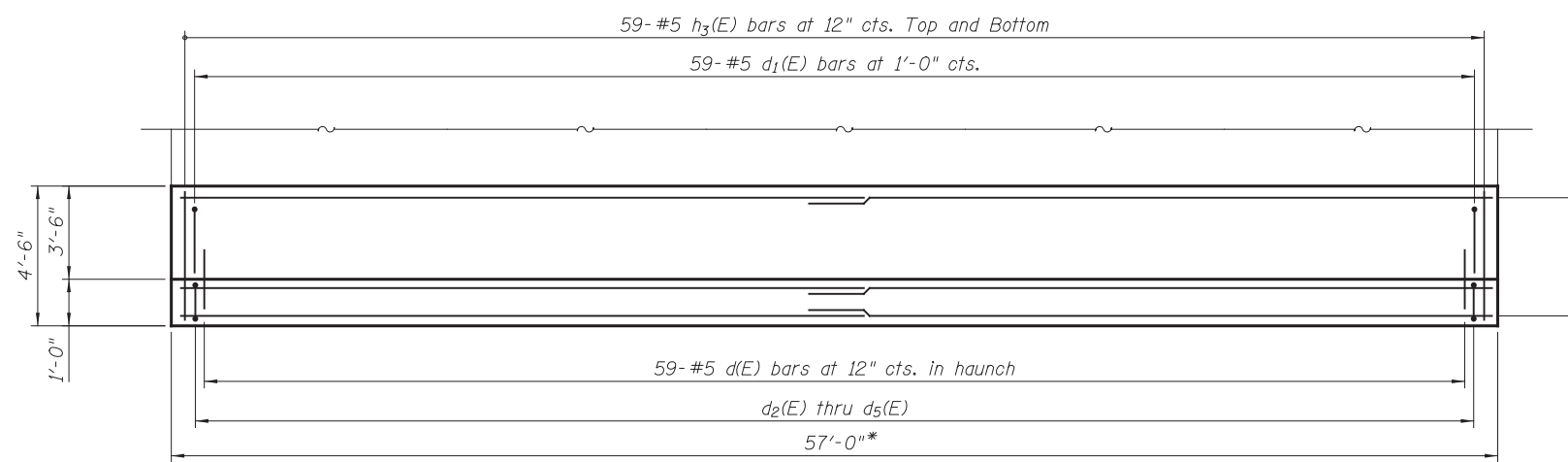
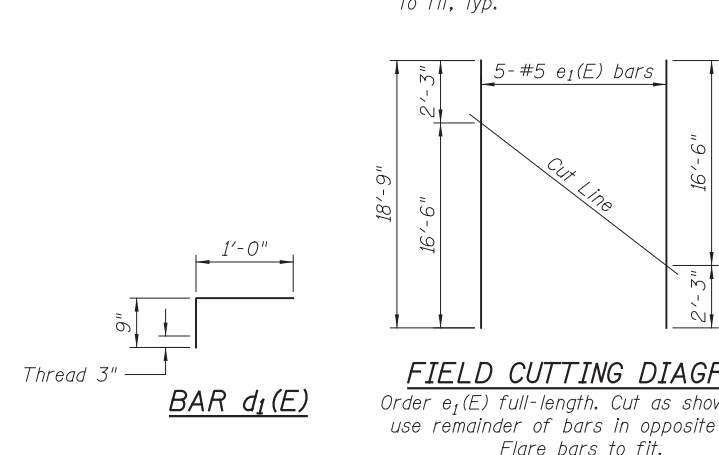
1. Bars indicated thus 6 x 2 - #5 etc. indicates 6 lines of bars with 2 lengths per line.
2. The cost of expansion anchors/inserts is included in the cost of Three-Sided Precast Concrete Structure 54'x10', special.

**MINIMUM BAR LAP**

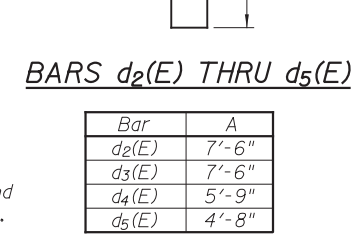
- #5 Bar = 3'-3" (vertical)
- #5 Bar = 3'-8" (horizontal)
- #6 Bar = 3'-10"



\*May vary based on final precast arch dimensions.



**PLAN**  
East headwall shown.  
West headwall symmetrical.



**SECTION A-A**



USER NAME =	DESIGNED - KMP	REVISED
	CHECKED - AMK	REVISED
PLOT SCALE =	DRAWN - KMP	REVISED
PLOT DATE =	CHECKED - AMK	REVISED

**STATE OF ILLINOIS  
DEPARTMENT OF TRANSPORTATION**

**HEADWALL DETAILS  
STRUCTURE NO. 022-3046**

F.A.P. RTE.	SECTION	COUNTY	TOTAL SHEETS	SHEET NO.
311	2012-0371	DuPAGE	45	26
CONTRACT NO. 60T83				

SHEET NO. S-4 OF S-8 SHEETS

ILLINOIS FED. AID PROJECT