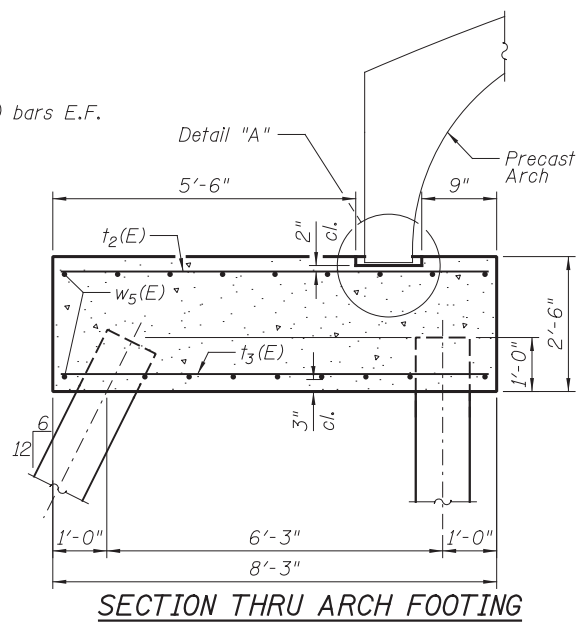
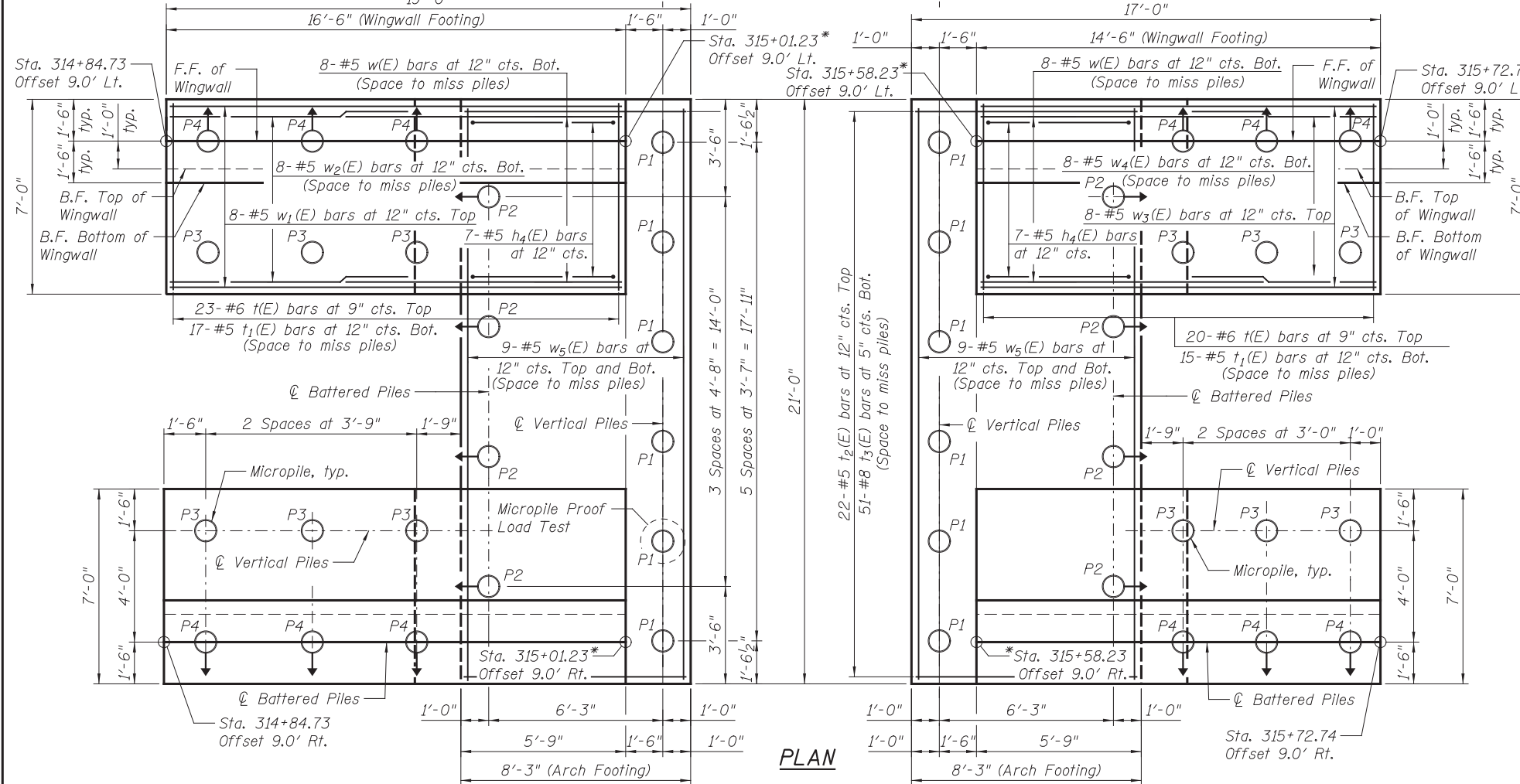


UNDERDRAIN OUTLET DETAIL



ELEVATION



PLAN

MINIMUM BAR LAP

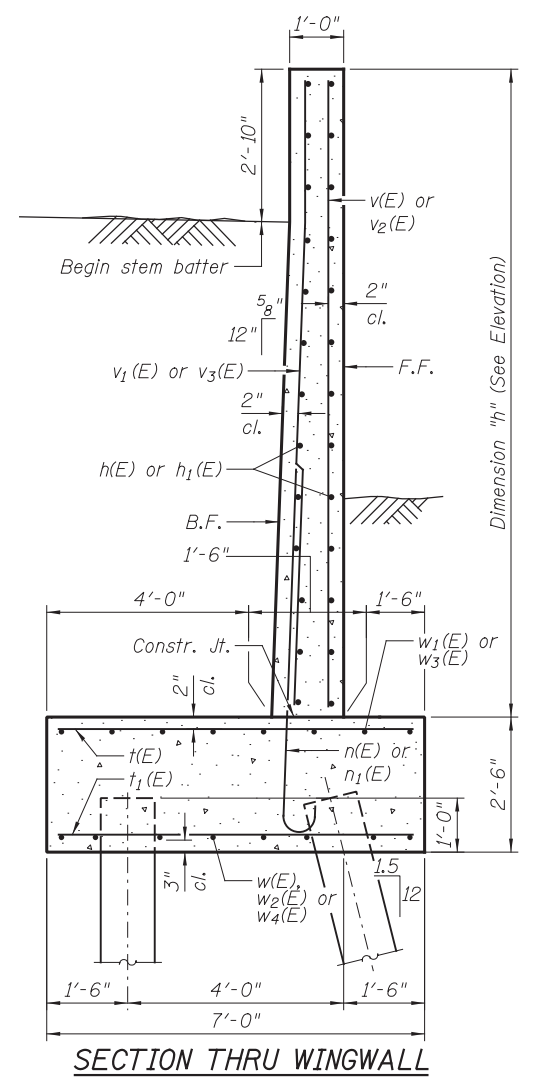
- #5 Bar = 3'-3"
- #6 Bar = 3'-10"

NOTES

1. North and South arch footing reinforcement and pile spacings are symmetrical.
2. East and West wingwall reinforcement and pile spacings are symmetrical.
3. See Sheet S-6 for Bill of Material, Bar Bending Diagrams, Wall Drainage Details and Detail A.
4. Stations and offsets are taken to the Front Face of the wingwalls.
5. See Sheet S-6 for Micropile Details and Schedule.

LEGEND

- B.F. - Denotes Back Face
- F.F. - Denotes Front Face
- E.F. - Denotes Each Face



SECTION THRU WINGWALL



USER NAME =	DESIGNED - KMP	REVISIONS
PLOT SCALE =	CHECKED - AMK	REVISIONS
PLOT DATE =	DRAWN - KMP	REVISIONS
	CHECKED - AMK	REVISIONS

**STATE OF ILLINOIS
DEPARTMENT OF TRANSPORTATION**

**WINGWALL AND FOOTING DETAILS 1
STRUCTURE NO. 022-3046**

F.A.P. R.T.E.	SECTION	COUNTY	TOTAL SHEETS	SHEET NO.
311	2012-0371	DuPAGE	45	27
CONTRACT NO. 60T83				

SHEET NO. S-5 OF S-8 SHEETS

ILLINOIS FED. AID PROJECT