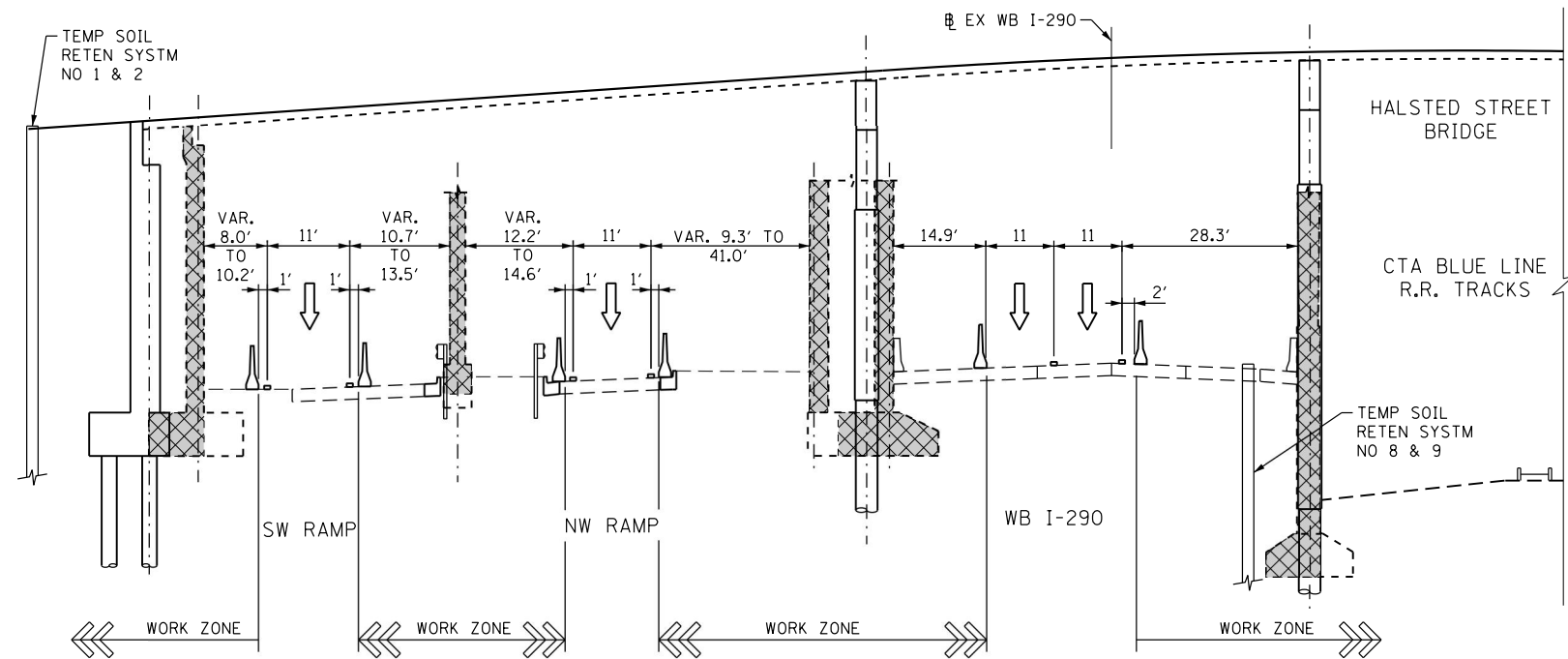
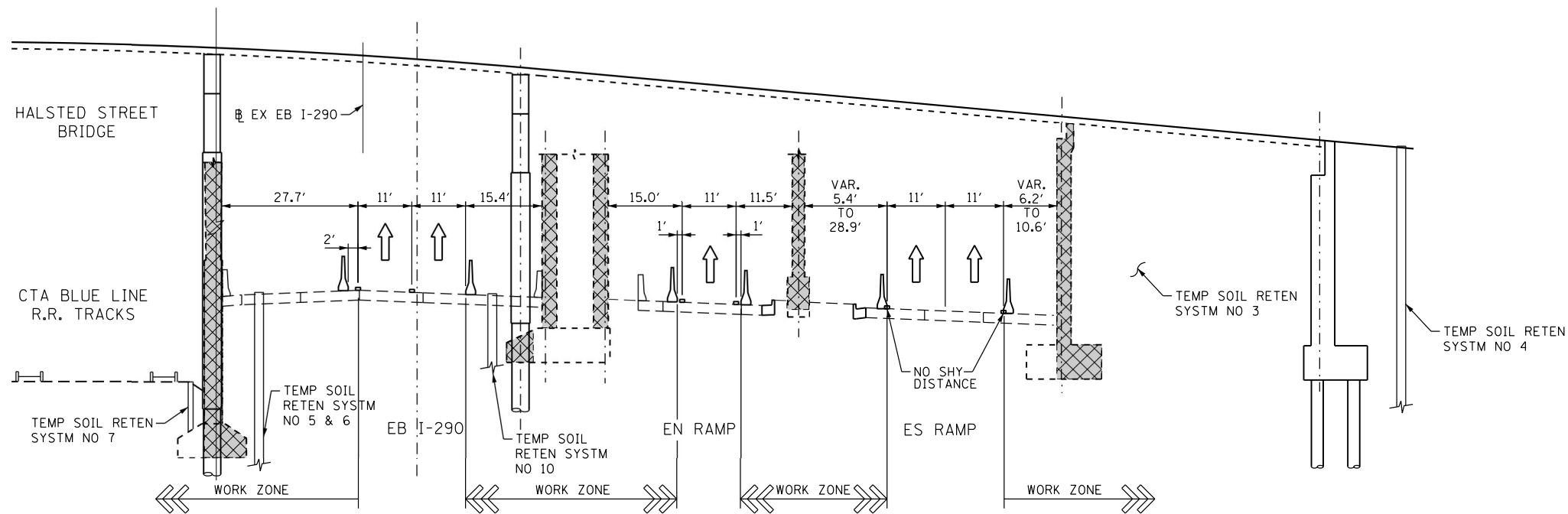


FILE PATH = p:\388035\p\m\l\escomon\l\m\local\p\w\ec\m\0\Documents\01_Americas\Transportation\60269938_Circle\Phase\1\000_CAD\006_Roadway\Sheets\60W26-sht-Staging-Typ-01



**I-290 EXPRESSWAY UNDER NORTH HALF HALSTED STREET BRIDGE
(LOOKING EAST)
MAINTENANCE OF TRAFFIC - STAGE 1A
TYPICAL SECTION**



**I-290 EXPRESSWAY UNDER SOUTH HALF HALSTED STREET BRIDGE
(LOOKING EAST)
MAINTENANCE OF TRAFFIC - STAGE 1A
TYPICAL SECTION**

LEGEND

- WORK ZONE
- TEMPORARY IMPACT ATTENUATOR
- TEMPORARY CONCRETE BARRIER
- TYPE II BARRICADES OR DRUMS WITH STEADY BURN LIGHT (AT SPECIFIED SPACING)
- TEMPORARY SOIL RETENTION SYSTEM OR BRACED EXCAVATION
- DIRECTION OF TRAFFIC FLOW SIGN
- VERTICAL PANEL WITH STEADY BURNING LIGHT (AT SPECIFIED SPACING)
- ARROW BOARD
- TYPE III BARRICADE
- BARRICADE OR DRUM WITH FLASHING LIGHT
- DETECTABLE PEDESTRIAN CHANNELIZING BARRICADE
- TEMPORARY PAVEMENT MARKING
- REMOVAL LIMITS
- TEMPORARY PAVEMENT

NOTE:
FOR TEMPORARY SOIL RETENTION SYSTEM
DETAILS SEE STRUCTURAL PLANS



D160W26-sht-Staging-Typ-01
USER NAME = pimsarno
PLOT SCALE = 15.0000' / 1"
PLOT DATE = 9/15/2013

DESIGNED - KAM
DRAWN - PHP
CHECKED - OPS
DATE - 9/15/13

REVISED -
REVISED -
REVISED -
REVISED -

**STATE OF ILLINOIS
DEPARTMENT OF TRANSPORTATION**

**SUGGESTED STAGES OF CONSTRUCTION AND TRAFFIC CONTROL PLAN
TYPICAL SECTIONS**

SCALE: NONE SHEET 1 OF 5 SHEETS STA. TO STA.

F.A.I. RTE.	SECTION	COUNTY	TOTAL SHEETS	SHEET NO.
90/94/290	2013-008R	COOK	559	65
CONTRACT NO. 60W26				
ILLINOIS FED. AID PROJECT				