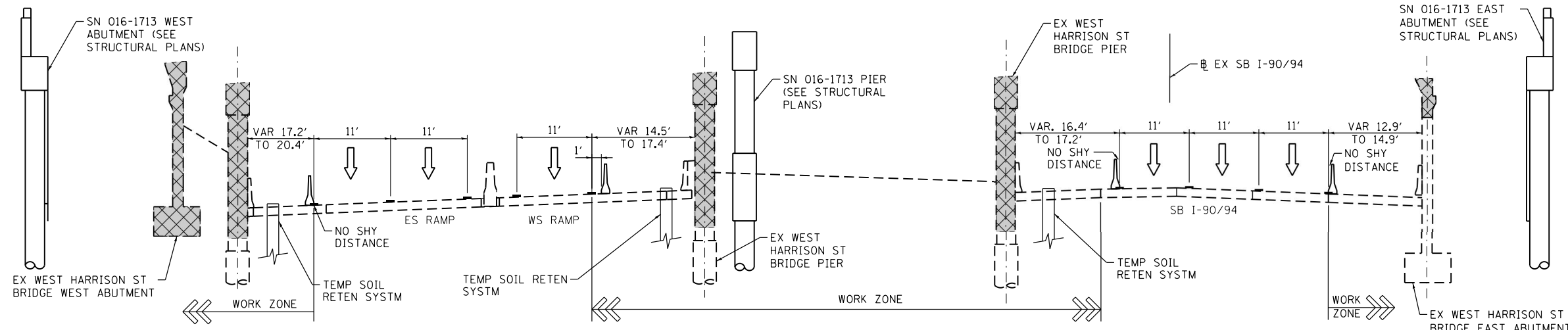
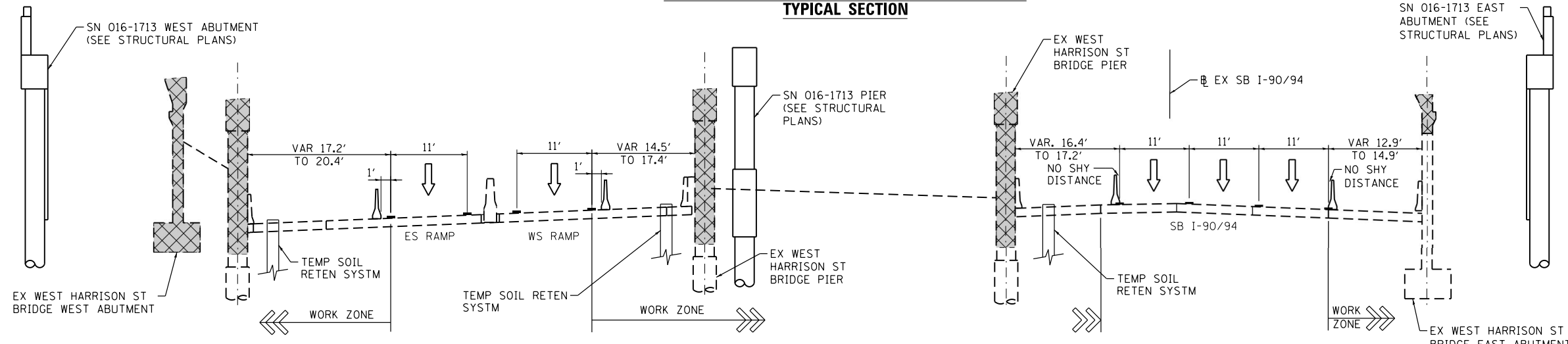


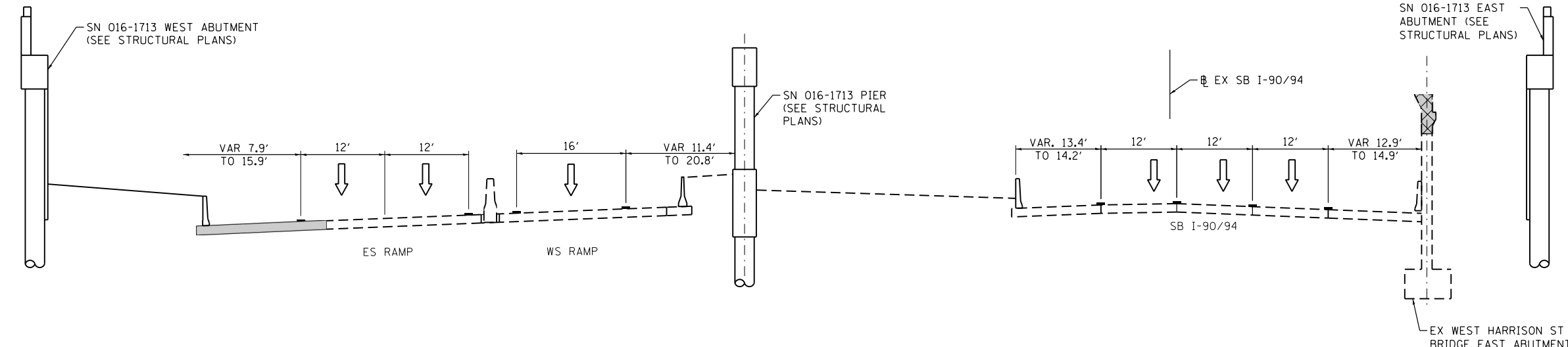
FILE PATH = p:\388035-projects\escomon\line\local\p\AECD\000\Documents\01\_Americas\Transportation\60269938\_Circle\Phase\_1\000\_CAD\006\_Roadway\Sheets\60W26-sh-t-Staging-Typ-02



**SB I-90/94, ES RAMP AND WS RAMP UNDER EX HARRISON STREET BRIDGE  
(LOOKING NORTH)  
MAINTENANCE OF TRAFFIC – STAGE 1A AND 2B  
TYPICAL SECTION**



**SB I-90/94, ES RAMP AND WS RAMP UNDER EX HARRISON STREET BRIDGE  
(LOOKING NORTH)  
MAINTENANCE OF TRAFFIC – STAGE 1B AND 2A  
TYPICAL SECTION**



**SB I-90/94, ES RAMP AND WS RAMP UNDER EX HARRISON STREET BRIDGE  
(LOOKING NORTH)  
MAINTENANCE OF TRAFFIC – STAGE 3A-AC  
TYPICAL SECTION**

**LEGEND**

- WORK ZONE
- TEMPORARY IMPACT ATTENUATOR
- TEMPORARY CONCRETE BARRIER
- TYPE II BARRICADES OR DRUMS WITH STEADY BURN LIGHT (AT SPECIFIED SPACING)
- TEMPORARY SOIL RETENTION SYSTEM OR BRACED EXCAVATION
- DIRECTION OF TRAFFIC FLOW
- SIGN
- VERTICAL PANEL WITH STEADY BURNING LIGHT (AT SPECIFIED SPACING)
- ARROW BOARD
- TYPE III BARRICADE
- BARRICADE OR DRUM WITH FLASHING LIGHT
- DETECTABLE PEDESTRIAN CHANELIZING BARRICADE
- TEMPORARY PAVEMENT MARKING
- REMOVAL LIMITS
- TEMPORARY PAVEMENT

	D160W26-sh-t-Staging-Typ-02 USER NAME = pimsarno PLOT SCALE = 50.0000' / in. PLOT DATE = 9/15/2013	DESIGNED - KAM/OPS DRAWN - KAM/OPS CHECKED - DBM DATE - 9/15/13	REVISED - REVISED - REVISED - REVISED -	STATE OF ILLINOIS DEPARTMENT OF TRANSPORTATION	SUGGESTED STAGES OF CONSTRUCTION AND TRAFFIC CONTROL PLAN TYPICAL SECTIONS		F.A.I. RTE. 90/94/290	SECTION 2013-008R	COUNTY COOK	TOTAL SHEETS 559	SHEET NO. 66
	SCALE: 1" = 50' SHEET 3 OF 5 SHEETS	STA. TO STA.	CONTRACT NO. 60W26		ILLINOIS FED. AID PROJECT						