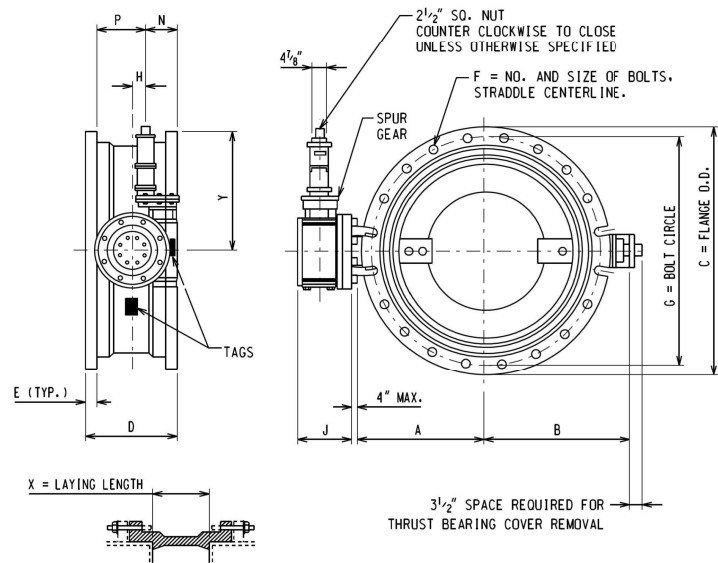


FILE PATH = p:\388035\pmt\l\ecommon\l\local\p\AEC\000\Documents\01_Americas\Transportation\60269938_Circle\Phase\1\000_CAD\005_Roadway\Sheets\60W26_Contract\0160W26-sht-WM-07.dgn

VALVE SIZE	A	B	C	D	E	F	G	X
24-INCH	18 ⁵ / ₈ "	18 ⁵ / ₈ "	31 ⁵ / ₁₆ "	13 ¹ / ₄ "	1 ⁵ / ₈ "	16	3 ³ / ₄ "	6 ³ / ₈ "
30-INCH	21 ¹ / ₂ "	24 ³ / ₈ "	39"	18"	1 ¹³ / ₁₆ "	20	1"	10"
36-INCH	25 ¹ / ₈ "	28 ³ / ₄ "	45 ¹ / ₈ "	22"	2"	24	1"	14"
42-INCH	29 ¹ / ₈ "	32 ¹ / ₈ "	53"	22"	2"	28	1 ¹ / ₄ "	14"
48-INCH	34 ¹ / ₈ "	37 ¹ / ₈ "	59 ¹ / ₈ "	24"	2"	32	1 ¹ / ₄ "	16"

OPERATOR SIZE	J	L	M	N	P	O	Y	VALVE	NO. OF TURNS
T-425	7 ³ / ₈ "	6"	7 ¹ / ₈ "	6 ¹ / ₈ "	9 ¹ / ₂ "	6 ³ / ₈ "	24"	36"	75
T-425	8"	6 ⁵ / ₈ "	7 ¹ / ₈ "	6 ¹ / ₈ "	9 ¹ / ₂ "	6 ³ / ₈ "	24"	48"	127



INSTALLATION DIAGRAM

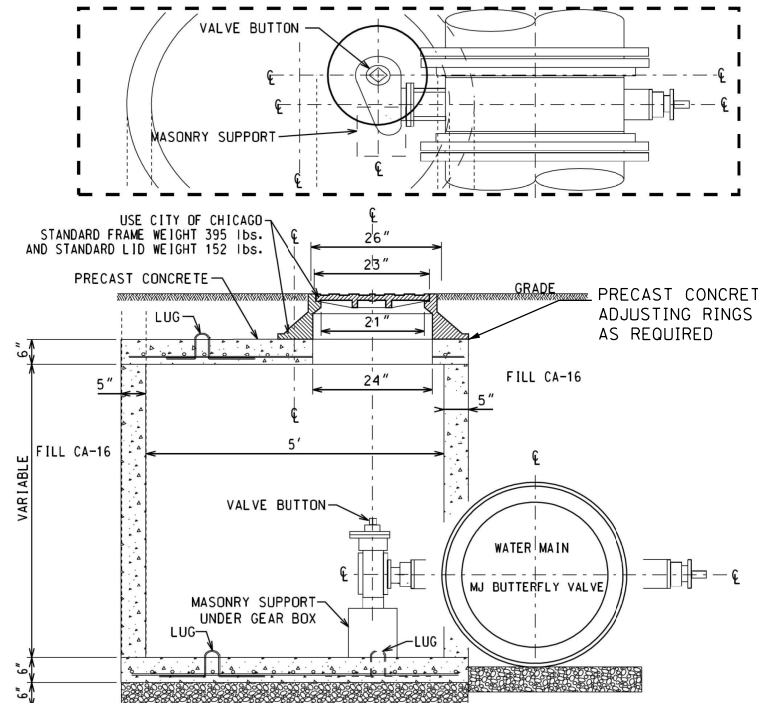
NOTE:

- BUTTERFLY VALVES SHALL BE MANUFACTURED IN ACCORDANCE WITH AWWA SPECIFICATION C-504-87, CLASS 150B, SHORT BODY VALVE WITH MECHANICAL JOINT ACCESSORIES.
- OPERATORS ARE EQUIPPED WITH OPEN/CLOSE INDICATING ARROW. ASSEMBLY OPEN CLOCKWISE.

REV:07.07

BUTTERFLY VALVE

FM-13



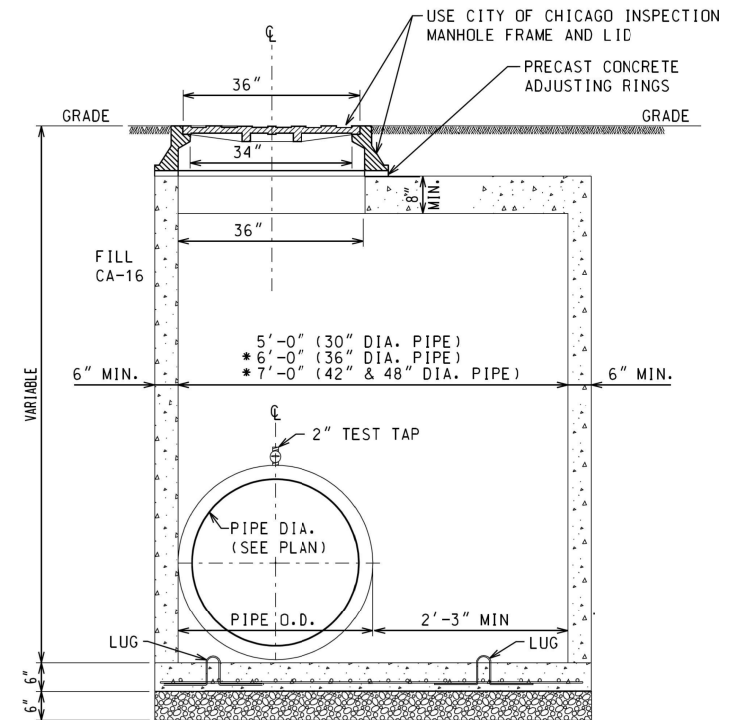
NOTES:

- PRECAST CONCRETE TOP SLAB TO BE USED WHERE HEAD ROOM IS REQUIRED.
- PRECAST 6" THICK CONCRETE SLAB WITH #4 EPOXY COATED REBARS 4" C/C BOTHWAYS.
- PROVIDE FOUR #4 REBAR LUGS FOR HANDLING. CUT THE LUGS AFTER PLACING THE SLAB IN POSITION.
- PROVIDE 24-INCH DIAMETER OPENING IN THE CENTER OR AS REQUIRED.
- THE LOCATION OF MANHOLE TO BE DETERMINED ON INDIVIDUAL BASIS.
- PROVIDE 6" THICK COMPACTED CA-16 BEDDING.

REV:07.07

BUTTERFLY VALVE BASIN
PRECAST CONCRETE

FM-15



SECTIONAL VIEW
SCALE: N.T.S.

NOTE:

- PROVIDE 6" THICK COMPACTED CA-16 BEDDING.
- USE PRECAST CONCRETE BASE OR PROVIDE 6" THICK 100T CLASS 'S1' CONCRETE BASE POURED IN PLACE WITH #4 EPOXY COATED REBARS 4" C/C BOTH WAYS.
- PROVIDE FOUR #4 REBAR LUGS FOR HANDLING. CUT THE LUGS AFTER PLACING THE SLAB IN POSITION.
- PRECAST CONCRETE TOP SLAB TO BE USED WHERE HEAD ROOM IS REQUIRED.
- THE LOCATION OF MANHOLE TO BE DETERMINED ON INDIVIDUAL BASIS.
- OPENING ON TOP SLAB TO BE CENTERED OVER TEST TAP.

REV:07.07

PITOMETER TAP BASIN
PRECAST CONCRETE

FM-4



D160W26-sht-WM-07.dgn
USER NAME = pimsarno
PLOT SCALE = 40.0000' / 1"
PLOT DATE = 9/15/2013

DESIGNED - HHC
DRAWN - HHC
CHECKED - RBB
DATE - 9/15/13

REVISED -
REVISED -
REVISED -
REVISED -

STATE OF ILLINOIS
DEPARTMENT OF TRANSPORTATION

WATER MAIN DETAILS

SCALE: SHEET OF SHEETS STA. TO STA.

F.A.I. RTE.	SECTION	COUNTY	TOTAL SHEETS	SHEET NO.
90/94/290	2013-008R	COOK	559	146
CONTRACT NO. 60W26				
ILLINOIS FED. AID PROJECT				