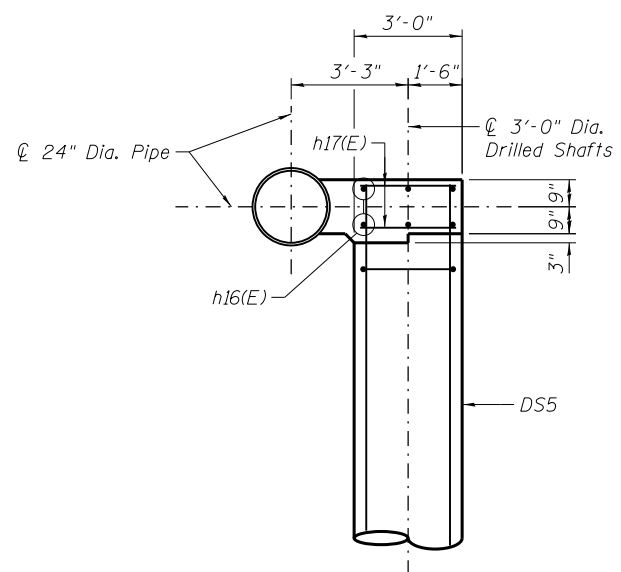
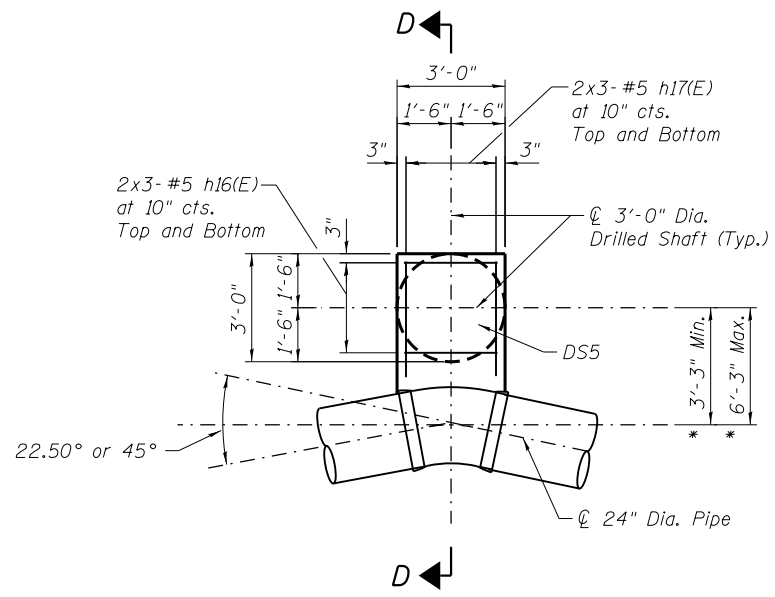


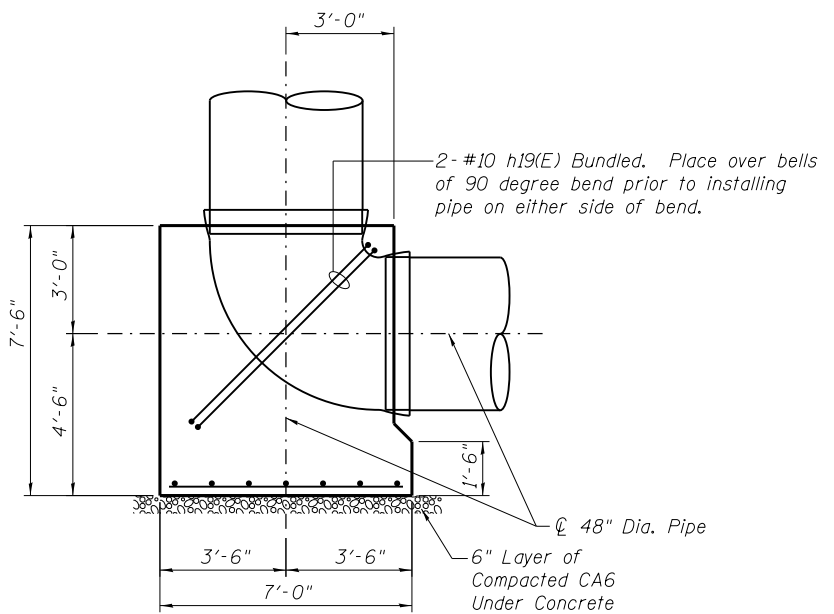
PLAN DETAIL
THRUST RESTRAINT - TYPE 4
THRUST RESTRAINT - TYPE 4A



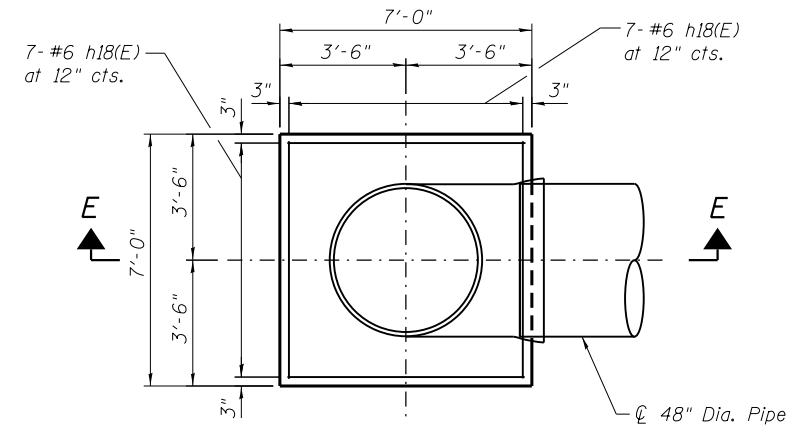
SECTION D-D



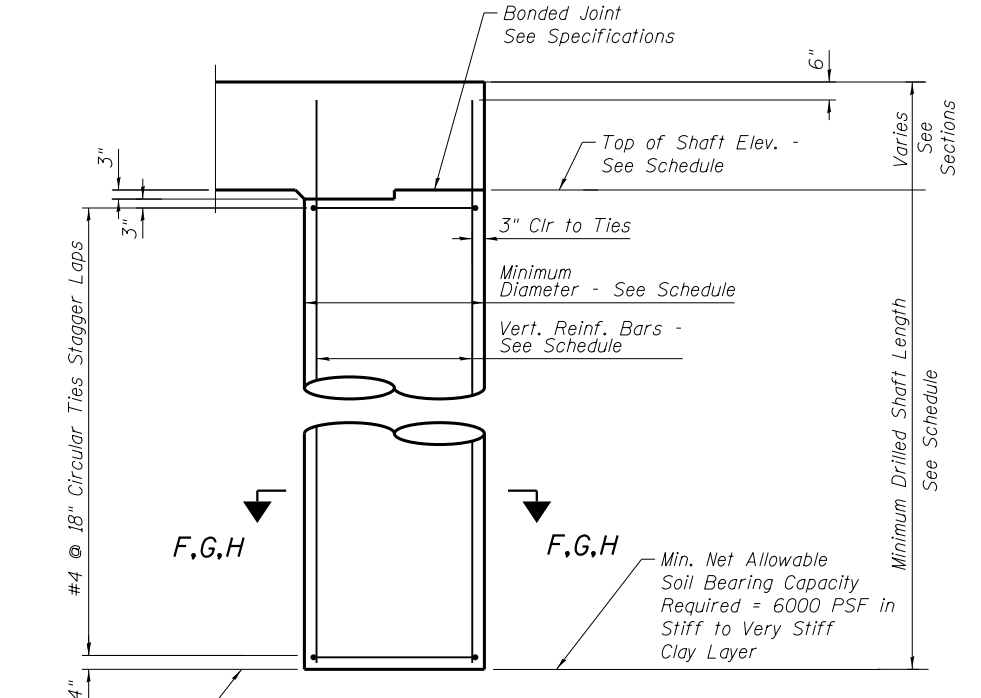
PLAN DETAIL
THRUST RESTRAINT - TYPE 5



SECTION E-E



PLAN DETAIL
PIPE SUPPORT - TYPE 6



TYPICAL DRILLED SHAFT DETAIL
 No Scale

* - Centerline of drilled shaft location in the field may vary from 3'-3" to 6'-3" from centerline of 24" dia. pipe depending on field verified existing conditions. Where location of shaft centerline exceeds 3'-6" from centerline of pipe provide additional #5 at 10" centers top and bottom epoxy coated reinforcing bars each way to lap 3'-0" with #5 at 10" in drilled shaft cap. Cost shall be incidental to concrete structures and reinforcement bars, epoxy coated.

Note: For Schedule See Sheet No. 149. For Shaft Construction, See Notes 9 and 10 on Sheet No. 149.

NOTES:
 I. Work this Sheet with Sheet 149

D160W26-sht1-WM-09.dgn



USER NAME = cleerd	DESIGNED - AAG	REVISED
PLOT SCALE = N.T.S.	CHECKED - DHR	REVISED
PLOT DATE = 9/15/2013	DRAWN - DLC	REVISED
	CHECKED - AAG	REVISED

STATE OF ILLINOIS
DEPARTMENT OF TRANSPORTATION

WATER MAIN THRUST RESTRAINTS
PLAN DETAILS, SECTIONS AND DETAILS

SHEET NO. 2 OF 4 SHEETS

F.A.I. RTE. 90/94/290	SECTION 2013-008R	COUNTY COOK	TOTAL SHEETS 559	SHEET NO. 148
CONTRACT NO. 60W26			ILLINOIS FED. AID PROJECT	