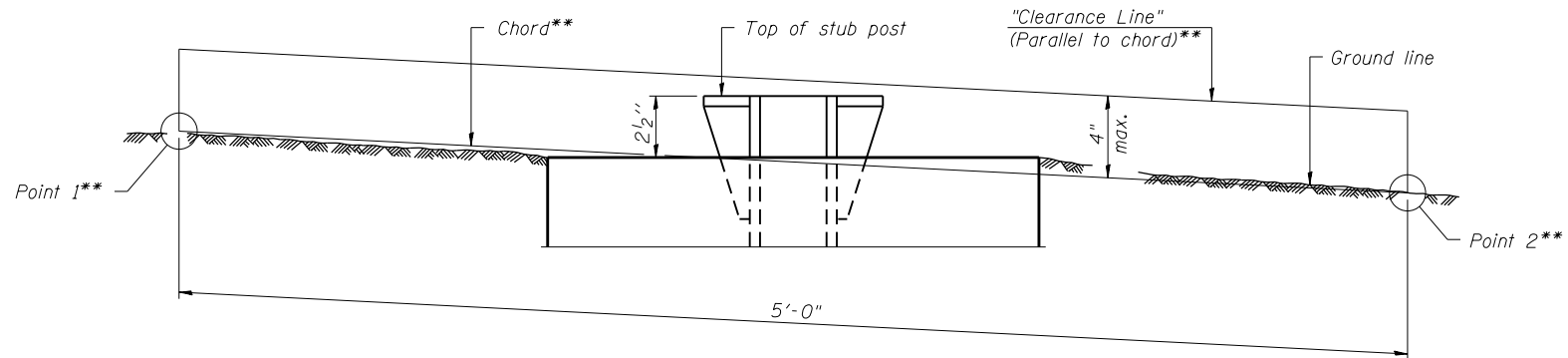


POST	CONCRETE FOUNDATION TABLE								POST TO STUB POST CONNECTION DATA								FUSE PLATE DATA					
	Foundation			Reinforcement			Stub Post Length	Bolt Size	A	B	C	D	E	t ₁	t ₂	R	W	J	K	L	t ₃	
	Diameter	* Minimum Depth	Concrete cu. yds. ①	Vertical Bars Length	Bar Spirals Diameter	Length																lbs. ②
W6x9	2'-0"	6'-0"	0.70	5'-9"	1'-8 1/2"	79'-0"	78	2'-3"	5/8" x 3/4"	6"	2 1/4"	1 1/4"	3/2"	1 1/4"	3/4"	1/2"	1 1/2"	1/4"	4"	2 1/4"	7/8"	1/4"
W6x15	2'-0"	6'-0"	0.70	5'-9"	1'-8 1/2"	79'-0"	78	2'-6"	5/8" x 3/4"	6"	2 1/4"	1 1/4"	3/2"	1 1/4"	3/4"	1/2"	1 1/2"	1/4"	6"	3 1/2"	1 1/4"	3/8"
W8x18	2'-0"	6'-0"	0.70	5'-9"	1'-8 1/2"	79'-0"	78	2'-6"	3/4" x 3 3/4"	6"	2 1/2"	1 3/8"	3/4"	1 3/8"	1"	1/2"	1 3/2"	5/16"	5 1/4"	2 3/4"	1 1/4"	3/8"
W10x22	2'-6"	6'-6"	1.18	6'-3"	2'-2 1/2"	105'-0"	92	3'-0"	3/4" x 3 3/4"	6"	2 1/2"	1 3/8"	3/4"	1 3/8"	1"	1/2"	1 3/2"	5/16"	5 3/4"	2 3/4"	1 1/2"	1/2"
W10x26	2'-6"	7'-0"	1.27	6'-9"	2'-2 1/2"	112'-0"	98	3'-0"	7/8" x 4"	7"	2 3/4"	1 1/2"	4"	1 1/2"	1"	3/4"	1 5/2"	3/8"	5 3/4"	2 3/4"	1 1/2"	5/8"
W12x26	2'-6"	7'-9"	1.41	7'-6"	2'-2 1/2"	119'-0"	107	3'-0"	7/8" x 4"	7"	2 3/4"	1 1/2"	4"	1 1/2"	1"	3/4"	1 5/2"	3/8"	6 1/2"	3 1/2"	1 1/2"	5/8"
W14x30	3'-0"	7'-3"	1.90	7'-0"	2'-8 1/2"	145'-0"	113	3'-0"	7/8" x 4"	7"	2 3/4"	1 1/2"	4"	1 1/2"	1"	3/4"	1 5/2"	3/8"	6 3/4"	3 1/2"	1 5/8"	1/2"
W14x38	3'-0"	8'-0"	2.09	7'-9"	2'-8 1/2"	153'-0"	122	3'-6"	1" x 4 1/2"	7 1/2"	3"	1 3/4"	4"	1 3/4"	1 1/4"	3/4"	1 7/2"	3/8"	6 3/4"	3 1/2"	1 5/8"	1/2"
W16x45	3'-0"	8'-6"	2.23	8'-3"	2'-8 1/2"	162'-0"	130	3'-6"	1" x 4 1/2"	7 1/2"	3"	1 3/4"	4"	1 3/4"	1 1/4"	3/4"	1 7/2"	3/8"	7"	3 1/2"	1 3/4"	1/2"

*Dimensional changes required for varying site conditions shall be approved by the Engineer.

POST	FUSE PLATE BOLT SIZE																					
	Sign Height																					
	4'-0"	5'-0"	6'-0"	7'-0"	8'-0"	9'-0"	10'-0"	11'-0"	12'-0"	13'-0"	14'-0"	15'-0"	16'-0"	17'-0"	18'-0"	19'-0"	20'-0"	21'-0"	22'-0"	23'-0"	24'-0"	
W6x9	1/2" x 1 1/2"	1/2" x 1 1/2"	1/2" x 1 1/2"	1/2" x 1 1/2"	—	—	—	—	—	—	—	—	—	—	—	—	—	—	—	—	—	
W6x15	1/2" x 1 3/4"	1/2" x 1 3/4"	1/2" x 1 3/4"	5/8" x 2"	5/8" x 2"	3/4" x 2"	3/4" x 2"	3/4" x 2"	3/4" x 2"	—	—	—	—	—	—	—	—	—	—	—	—	
W8x18	1/2" x 1 3/4"	1/2" x 1 3/4"	1/2" x 1 3/4"	5/8" x 2"	5/8" x 2"	3/4" x 2"	3/4" x 2"	3/4" x 2"	3/4" x 2"	—	—	—	—	—	—	—	—	—	—	—	—	
W10x22	1/2" x 2"	1/2" x 2"	1/2" x 2"	1/2" x 2"	5/8" x 2"	5/8" x 2"	3/4" x 2 1/4"	3/4" x 2 1/4"	3/4" x 2 1/4"	3/4" x 2 1/4"	3/4" x 2 1/4"	3/4" x 2 1/4"	3/4" x 2 1/4"	—	—	—	—	—	—	—	—	
W10x26	1/2" x 2"	1/2" x 2"	1/2" x 2"	1/2" x 2"	5/8" x 2 1/4"	5/8" x 2 1/4"	3/4" x 2 1/2"	3/4" x 2 1/2"	3/4" x 2 1/2"	3/4" x 2 1/2"	3/4" x 2 1/2"	3/4" x 2 1/2"	3/4" x 2 1/2"	—	—	—	—	—	—	—	—	
W12x26	1/2" x 2"	1/2" x 2"	1/2" x 2"	1/2" x 2"	5/8" x 2 1/4"	5/8" x 2 1/4"	3/4" x 2 1/2"	3/4" x 2 1/2"	3/4" x 2 1/2"	3/4" x 2 1/2"	3/4" x 2 1/2"	3/4" x 2 1/2"	3/4" x 2 1/2"	3/4" x 2 1/2"	—	—	—	—	—	—	—	
W14x30	1/2" x 2"	1/2" x 2"	1/2" x 2"	1/2" x 2"	5/8" x 2"	5/8" x 2"	3/4" x 2 1/4"	3/4" x 2 1/4"	3/4" x 2 1/4"	3/4" x 2 1/4"	3/4" x 2 1/4"	3/4" x 2 1/4"	3/4" x 2 1/4"	3/4" x 2 1/4"	3/4" x 2 1/4"	3/4" x 2 1/4"	3/4" x 2 1/4"	—	—	—	—	
W14x38	1/2" x 2"	1/2" x 2"	1/2" x 2"	1/2" x 2"	5/8" x 2 1/4"	5/8" x 2 1/4"	3/4" x 2 1/2"	3/4" x 2 1/2"	3/4" x 2 1/2"	3/4" x 2 1/2"	3/4" x 2 1/2"	3/4" x 2 1/2"	7/8" x 2 1/2"	7/8" x 2 1/2"	1" x 2 3/4"	1" x 2 3/4"	1" x 2 3/4"	1" x 2 3/4"	1" x 2 3/4"	1" x 2 3/4"	1" x 2 3/4"	1" x 2 3/4"
W16x45	—	1/2" x 2"	1/2" x 2"	1/2" x 2"	1/2" x 2"	1/2" x 2"	5/8" x 2 1/4"	5/8" x 2 1/4"	5/8" x 2 1/4"	5/8" x 2 1/4"	5/8" x 2 1/4"	3/4" x 2 1/2"	3/4" x 2 1/2"	7/8" x 2 1/2"	7/8" x 2 1/2"	1" x 2 3/4"	1" x 2 3/4"	1" x 2 3/4"	1" x 2 3/4"	1" x 2 3/4"	1" x 2 3/4"	1" x 2 3/4"



**ELEVATION
GROUND LINE & STUB POST**

** For all "Point 1" and "Point 2" locations, "Clearance Line" must be at or above top of stub post.

- ① Quantity includes all concrete necessary for one foundation.
- ② Includes reinforcement bars and spiral hooping for one foundation.

FILE PATH = p:\388035\pmt\escomon\me\local\p\MECD\00\Documents\01_Americas\Transportation\62629938_Circle\Phase_1\000_CAD\005_Roadway_Sheets\60W26-sht-Sign-Det-16

BAW-A-2

6-1-12

(Sheet 2 of 2)



D160W26-sht-Sign-Det-16	DESIGNED -	REVISED -
USER NAME = auyeungh	DRAWN -	REVISED -
PLOT SCALE = 10.0000' / 1"	CHECKED -	REVISED -
PLOT DATE = 8/18/2013	DATE - 8/20/13	REVISED -

**STATE OF ILLINOIS
DEPARTMENT OF TRANSPORTATION**

**BREAK-AWAY WIDE FLANGE
STEEL SIGN POST TABLES**

SCALE: 1"=10' SHEET 2 OF 4 SHEETS STA. TO STA.

F.A.I. RTE.	SECTION	COUNTY	TOTAL SHEETS	SHEET NO.
90/94/290	2013-008R	COOK	559	201
CONTRACT NO. 60W26				
ILLINOIS FED. AID PROJECT				