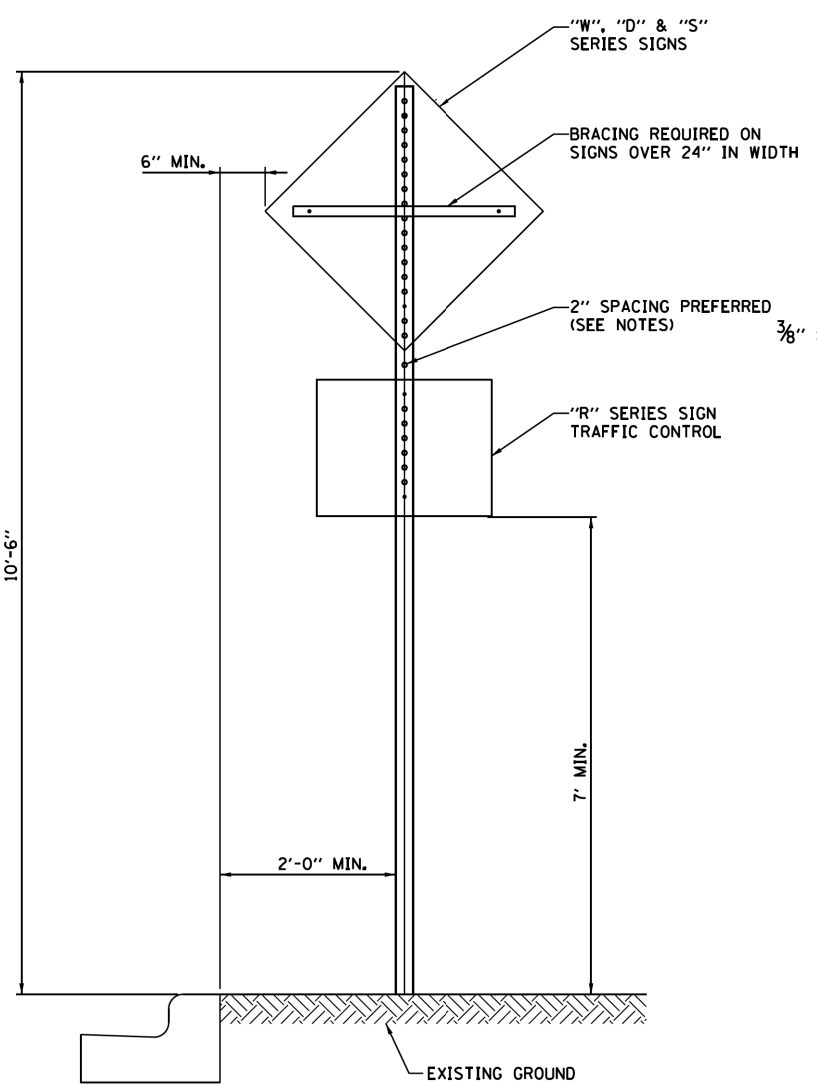


**NOTES:**

1. PROVIDE ONE MOUNTING BRACKET FOR SIGNS 18" AND UNDER.
2. PROVIDE TWO MOUNTING BRACKETS FOR SIGNS OVER 18".
3. REDUCE SPACING IF REQUIRED TO MAINTAIN MIN. 7'-0" CLEARANCE TO BOTTOM OF SIGN.
4. FLAG MOUNT SIGNS TOWARD SIDEWALK ALONG ARTERIAL STREETS.
5. FLAG MOUNT ALL PARKING REGULATIONS SIGNS.

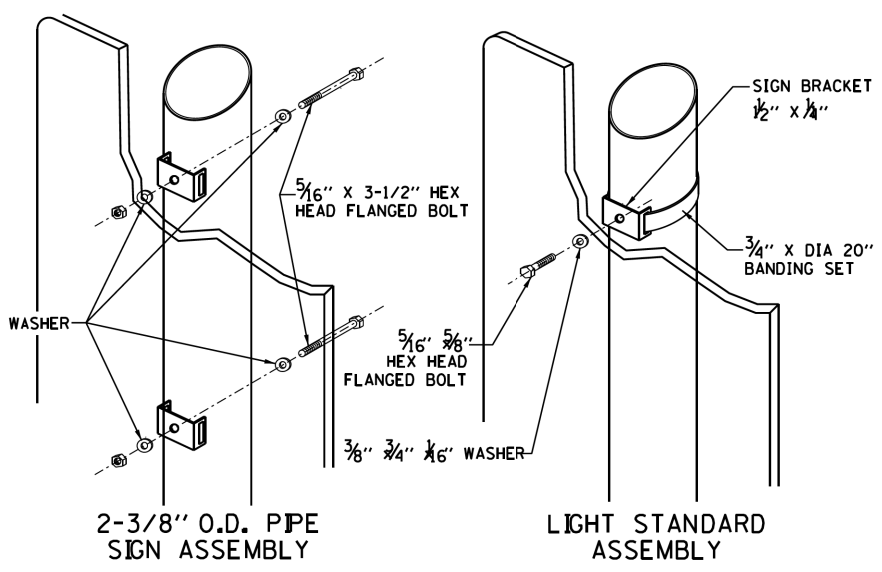
**FLAG MOUNTED SIGN INSTALLATION DETAIL**  
NOT TO SCALE



**NOTE:**

2" SPACING MAY BE REDUCED IF REQUIRED TO MAINTAIN MIN. 7'-0" CLEARANCE TO BASE OF SIGN.

**CENTER MOUNTED SIGN INSTALLATION**  
NOT TO SCALE



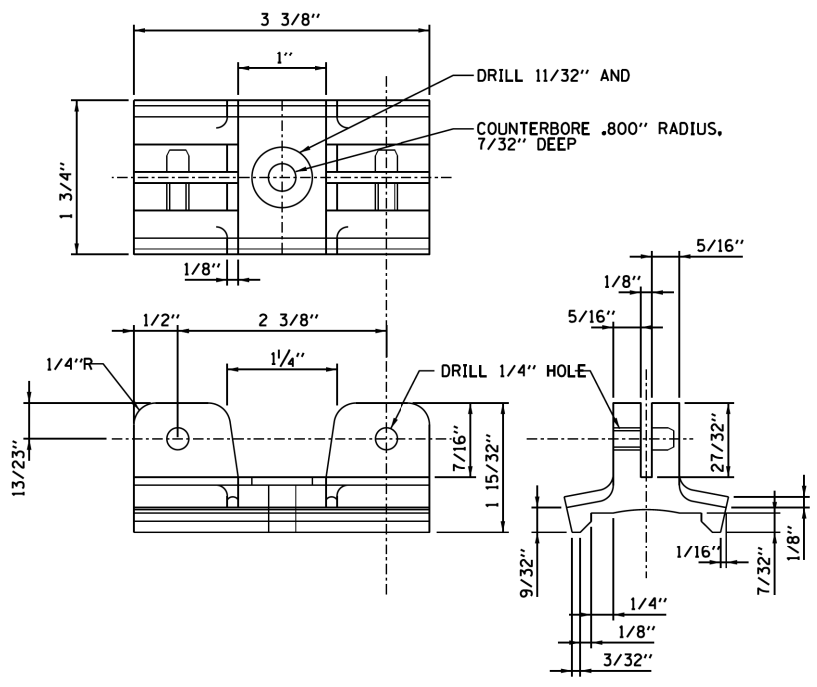
**NOTE:**

SIGN INSTALLATION STARTS AT 10'-6". PROVIDE MINIMUM 7'-0" CLEARANCE BETWEEN GROUND AND BOTTOM OF SIGN. RAISE INITIAL INSTALLATION HEIGHT IF REQ'D TO MAINTAIN 7' CLEAR.

**REQUIREMENT**

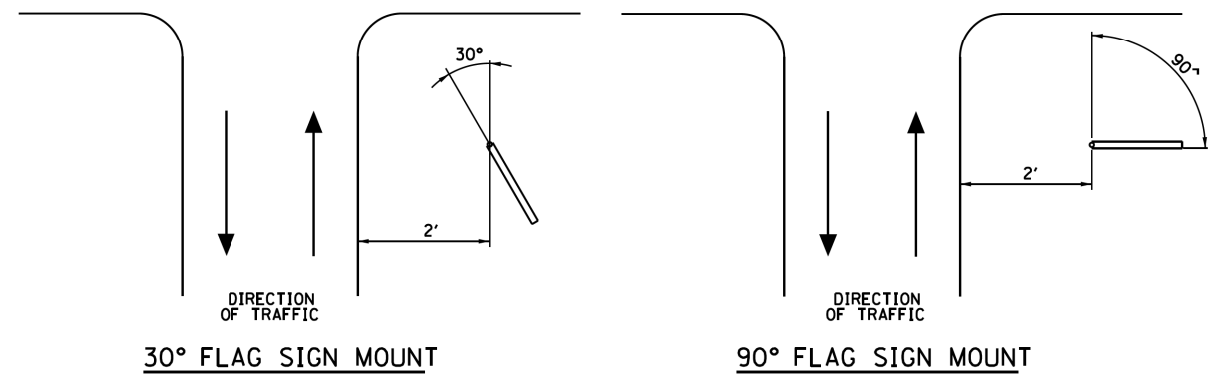
- \*2 BANDS PER SIGN UNDER 6'
- \*3 BANDS PER SIGN OVER 6'

**CENTER MOUNTED SIGN ASSEMBLY**  
NOT TO SCALE



SIGN MOUNTING MATERIAL: ALUMINUM-ZINC ALLOY TENZALLOY

**SIGN MOUNTING BRACKET DETAIL**  
NOT TO SCALE (VERSION 2A)



**SIGN MOUNTING DETAILS**  
NOT TO SCALE

FILE PATH = c:\pwworking\luciano\work\2013\1160W26-sht-Sign-Det-18.dgn



DI60W26-sht-Sign-Det-18.dgn	DESIGNED - KAL	REVISED -
USER NAME = kolorenz	DRAWN - BAW	REVISED -
PLOT SCALE = 10.0000 / 1 in.	CHECKED - JLV	REVISED -
PLOT DATE = 8/18/2013	DATE - 8/20/13	REVISED -

**STATE OF ILLINOIS**  
**DEPARTMENT OF TRANSPORTATION**

<b>SIGNING DETAILS</b>			
SCALE: N.T.S.	SHEET 2 OF 4 SHEETS	STA.	TO STA.

F.A.I. RTE. 90/94/290	SECTION 2013-008R	COUNTY COOK	TOTAL SHEETS 559	SHEET NO. 205
ILLINOIS FED. AID PROJECT				CONTRACT NO. 60W26