

DESIGNED BY: GG

DATE: 08/20/13

CHECKED BY: JW

DATE: 08/20/13

APPROVED:

TRAFFIC ENGINEER:

CITY TRAFFIC ENGINEER:

PAGE 1 OF 1

SENT: \_\_\_\_\_ INSTALLED: \_\_\_\_\_

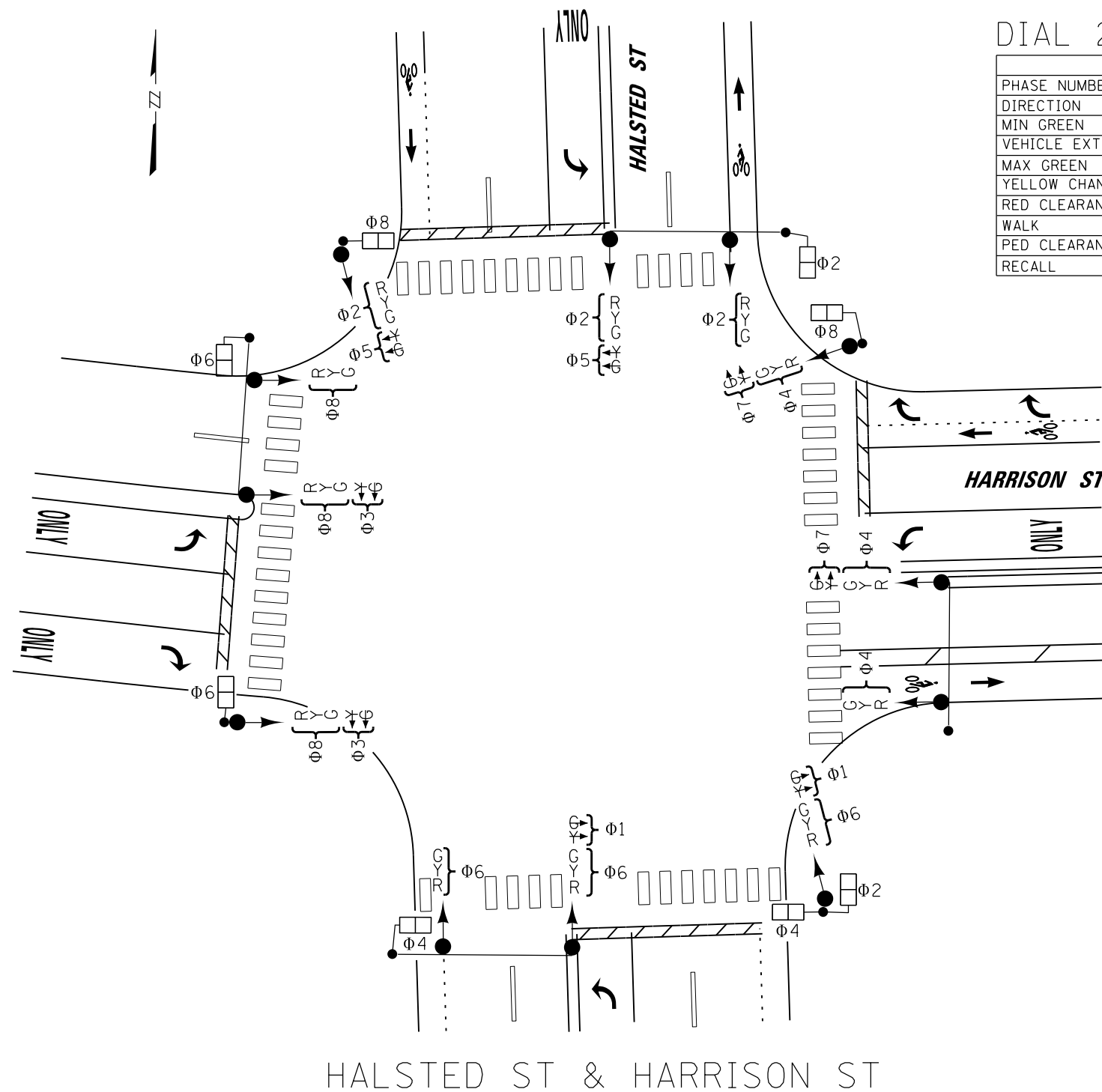
DIAL	CYCLE LENGTH	OFFSET	TIMES OF OPERATION	FLASH OPERATION
1	100"	86"	ALL OTHER TIMES	RØ2, RØ4, RØ6, RØ8
2	100"	59"	6:00 AM TO 10:00 AM, MON-FRI.	ALL ARROWS AND WALK/DON'T WALK OFF
3	100"	59"	3:00 PM TO 7:00 PM, MON-FRI.	
4				

DIAL 1

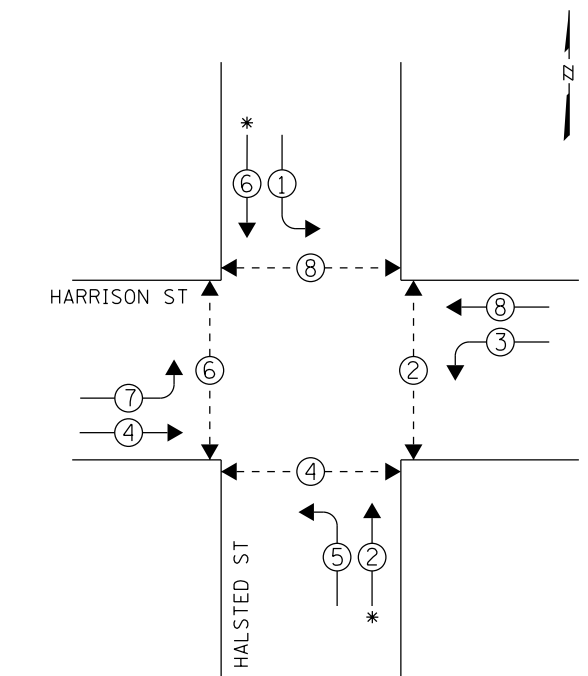
PHASE NUMBER	PHASE							
	1	2	3	4	5	6	7	8
DIRECTION	SBLT	NB	WBLT	EB	NBLT	SB	EBLT	WB
MIN GREEN	6	44	6	30	6	44	6	30
VEHICLE EXT.	0		0		0		0	
MAX GREEN	6	53	6	39	6	53	6	39
YELLOW CHANGE	3	3	3	3	3	3	3	3
RED CLEARANCE	0	1	0	1	0	1	0	1
WALK		23		10		23		10
PED CLEARANCE		21		20		21		20
RECALL		COORD		MIN		COORD		MIN

DIAL 2 & 3

PHASE NUMBER	PHASE							
	1	2	3	4	5	6	7	8
DIRECTION	SBLT	NB	WBLT	EB	NBLT	SB	EBLT	WB
MIN GREEN	6	39	6	35	6	33	6	35
VEHICLE EXT.	0		0		3		0	
MAX GREEN	6	48	6	44	12	48	6	44
YELLOW CHANGE	3	3	3	3	3	3	3	3
RED CLEARANCE	0	1	0	1	0	1	0	1
WALK		23		10		23		10
PED CLEARANCE		21		20		21		20
RECALL		COORD		MIN		COORD		MIN



CONTROLLER SEQUENCE



- LEGEND**
- ⊕ → DUAL ENTRY PHASE
  - ⊞ → SINGLE ENTRY PHASE
  - ⊞ → OVERLAP
  - ⊕ → PEDESTRIAN PHASE
  - # → NUMBER REFERS TO ASSOCIATED PHASE
  - \*

DEO/BOE DRAWING NUMBER: 14737

FILE PATH = c:\pwworking\escom00\ggedemer\d2014536\160w26-sht-Ts-Ø4.dgn

<p>EJM ENGINEERING, INC. 411 South Wells Street Suite 1000 Chicago, Illinois 60607</p>	D160W26-sht-Ts-Ø4.dgn USER NAME = Ggedemer PLOT SCALE = 1.0000' / in. PLOT DATE = 8/14/2013	DESIGNED - GG DRAWN - GG CHECKED - JW DATE - 08/20/13	REVISED - REVISED - REVISED - REVISED -
--	--	--	--

STATE OF ILLINOIS  
DEPARTMENT OF TRANSPORTATION

TRAFFIC SIGNAL TIMING SCHEDULE			
HALSTED ST AND HARRISON ST			
SCALE: NONE	SHEET	OF SHEETS	STA. TO STA.

F.A.I. RTE.	SECTION	COUNTY	TOTAL SHEETS	SHEET NO.
90/94/290	2013-008R	COOK	559	211
CONTRACT NO. 60W26				
ILLINOIS FED. AID PROJECT				