

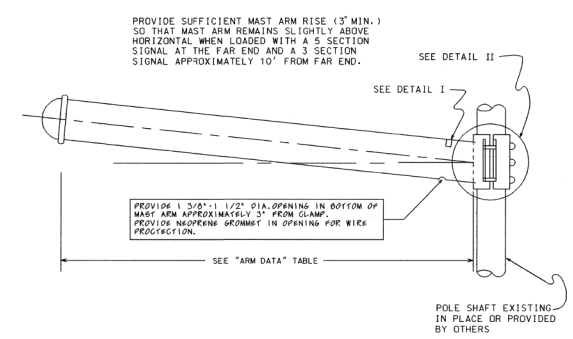
COMPLETE COMMODITY CODE NO. 05-6610-5310M

CODE NO.	MATERIALS	SIZE	QUAN.
(1) 05-6610-5310	PRE-CAST HANDHOLE	30"x36"	1
(2) 05-9075-5470	STONE 3/4" CRUSHED	BAG	5
(2) 05-5082-5330	SOND TUBE	30"	1
(2) 05-5082-5342	SOND TUBE	42"	1
(2) 05-3267-2940	CONC. REDI-MIX	CU. YD.	1/2
(2) 57-0770-0000	6" X 6" MESH	36"x10'	1
05-1452-9720	BRICK		24
02-4299-5524	FRAME MANHOLE	24"	1
02-4574-5040	COVER, MANHOLE	24"	1
09-7796-9312	GROUND ROD	3/4"x12'	1
09-2630-3240	GROUND CLAMP		1

- (1) PRE-CAST HANDHOLE SHALL INCLUDE CABLE HOOKS AND CONDUIT KNOCKOUTS.
 (2) THESE ITEMS ARE FOR POURED-IN-PLACE HANDHOLES ONLY.

- CONSTRUCTION NOTES:**
- 8" BED OF STONE FOR DRAINAGE.
 - ALL METALLIC CONDUITS ENTERING HANDHOLE SHALL EXTEND MINIMUM 1" & MAXIMUM 3" INSIDE INNER WALL AND BE EQUIPPED WITH AN APPROVED TYPE OF THREADED GROUNDING BUSHING.

30" DIA. CONCRETE HANDHOLE
 CITY OF CHICAGO
 DEPARTMENT OF ELECTRICAL ENGINEERING
 SUPERSEDES DWG. NO. 867
 DATE: 12-18-95



ARM DATA

CLAMP RANGE (FEET)	POLE END (INCHES)	SIGNAL END (INCHES)	LENGTH (FEET)	GUAGE	WEIGHT (POUNDS)	TEST LOAD (POUNDS)	MAX. DEFLECTION (INCHES)
7.45-7.95	7.0	4.76	16	7	241	1700	6.5
7.45-7.95	7.0	4.20	20	7	274	1300	12.0
7.45-7.95	7.0	3.36	26	7	315	1000	24.0
8.45-8.95	8.0	3.80	30	7	409	1100	29.0
9.95-10.45	9.0	4.10	35	7	539	1200	36.0
9.95-10.45	9.0	3.40	40	7	559	1000	52.0
9.95-10.45	10.0	3.84	44	7		1200	57.0

- NOTES:**
- TRAFFIC SIGNAL ARM SHAFT ASTM DESIGNATION: A595 GRADE C, 60,000 PSI MINIMUM YIELD STRENGTH WITH A LINEAR TAPER -0.14"/FT.
 - TRAFFIC SIGNAL ARM END CAP SECURED IN PLACE WITH 3 SET SCREWS AND 1 THRU ARM END BOLT. (PLATED HARDWARE)
 - ALL THREADED FASTENERS TO BE GALVANIZED TO ASTM DESIGNATION: A153
 - ALL VEHICULAR AND/OR PEDESTRIAN SIGNAL LIGHTS AND NECESSARY HARDWARE FOR ATTACHMENT TO BE FIELD LOCATED AND FURNISHED BY OTHERS.
 - ALL ARM END CAPS AND ARM CLAMPS TO BE FULLY ASSEMBLED AND ATTACHED TO THE ARM PRIOR TO SHIPPING.
 - ARM ASSEMBLY TO BE DEGREASED; CLEANED; CHEMICALLY PRETREATED; GIVEN AN EXTERIOR THERMOSETTING POLYESTER POWDER COAT; AND AN INTERIOR THERMOPLASTIC HYDROCARBON RESIN POWDER COAT. ALL PAINTING TO BE IN ACCORDANCE WITH SPECIFICATION 1454, SECTION 8, "PAINTING".
 - MAST ARM SHALL BE TESTED IN ACCORDANCE WITH SPECIFICATION 1454, SECTION 9 WITH TEST VALUES AS SHOWN ON THE "ARM DATA" TABLE.
 - HOLE IN CLAMP TO BE 4.0" (MIN.). HOLE TO BE GROUND SMOOTH AND DEBURRED TO PROVIDE A SMOOTH WIRE ENTRY FROM POLE TO MAST ARM.

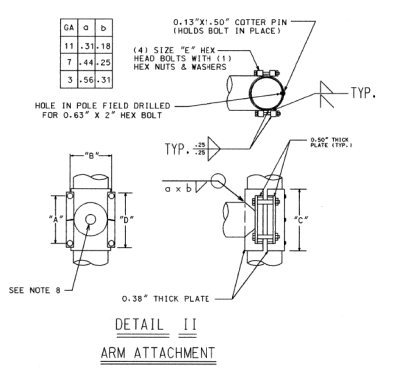
DETAIL I
 I. D. TAG

INDICATES MAX. AND MIN. RANGE FOR ARM CLAMP

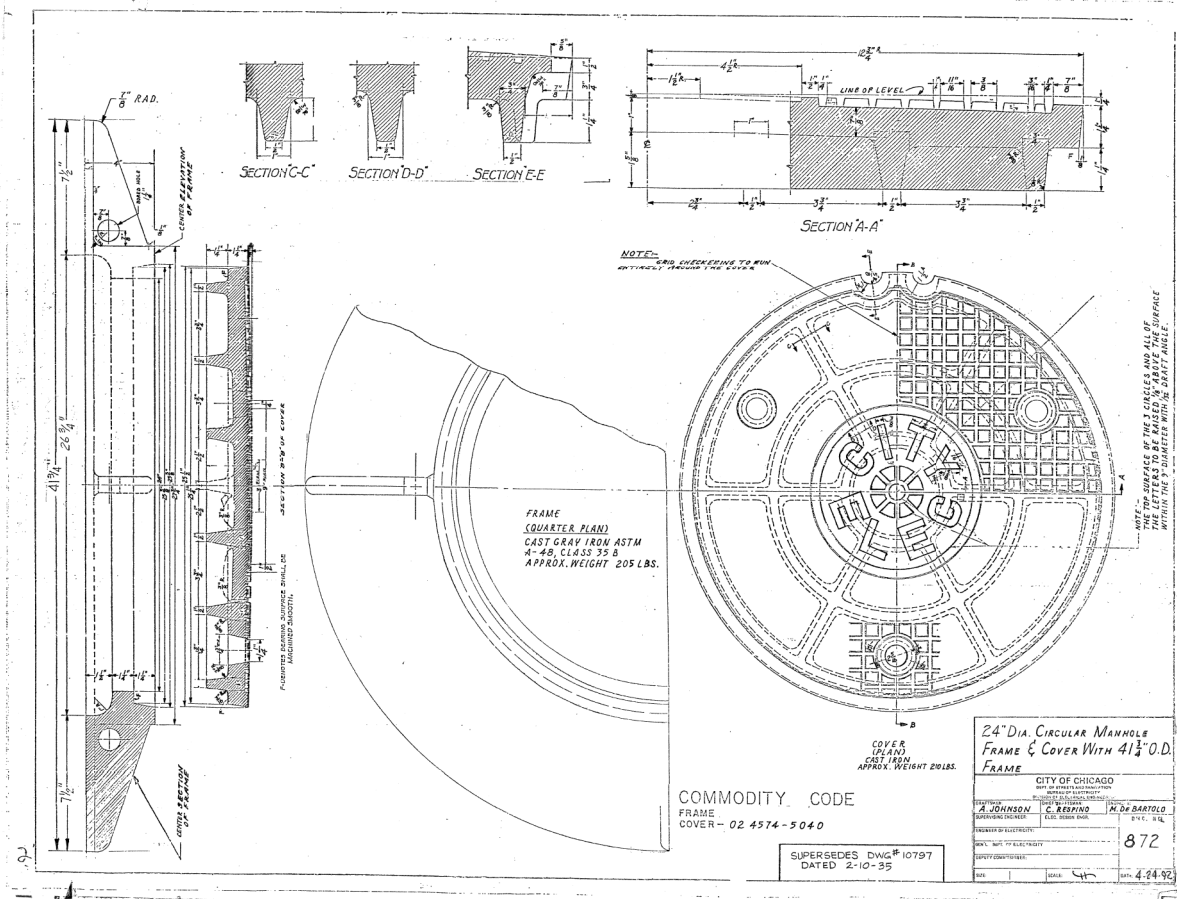
0.00 - 0.00

1. I. D. TAG TO BE MOUNTED ON THE TOP OF THE POLE AS INDICATED, USING 2 "GRIP-MAIL" FASTENERS.

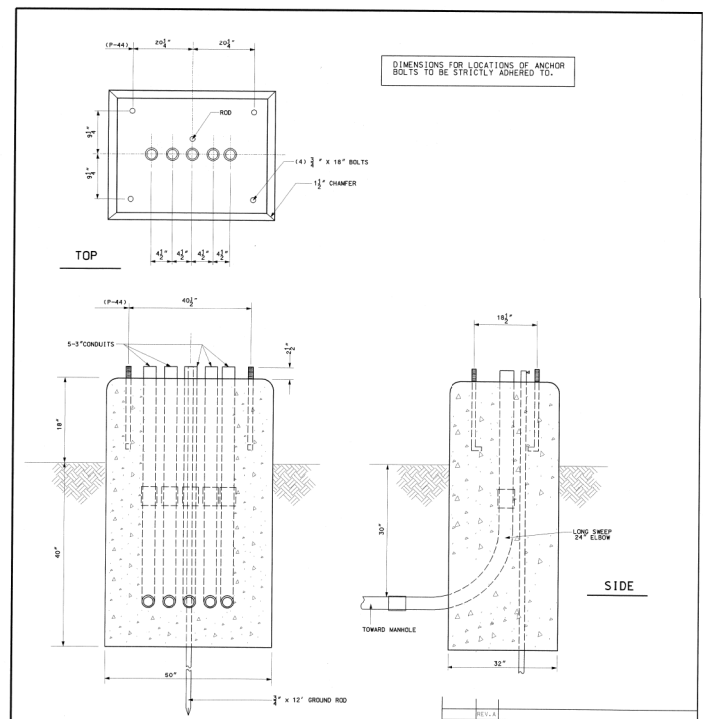
CLAMP RANGE	"A"	"B"	"C"	"D"	"E"
7.45" - 7.95"	7.25"	9.92"	10.80"	10.32"	1.00" X 7.50"
8.45" - 8.95"	9.00"	10.66"	13.06"	12.50"	1.00" X 8.00"
9.95" - 10.45"	10.25"	12.66"	15.30"	13.50"	1.25" X 8.50"



10-29-02 REFERENCES SPEC. 1454
 8-4-93 WIRE OPENING ON MAST ARM
 DATE REVISION
 SUPERSEDES DWG. DATED DEC. 1991
 STEEL TRAFFIC SIGNAL MAST ARM-MONOTUBE
 CITY OF CHICAGO
 DEPARTMENT OF ELECTRICAL ENGINEERING
 SUPERSEDES DWG. NO. 870
 DATE: DEC. 09/95



24" DIA. CIRCULAR MANHOLE
 FRAME & COVER WITH 1/2" O.D. FRAME
 CITY OF CHICAGO
 SUPERSEDES DWG. NO. 872
 DATED 2-10-95



TYPE "P" FOUNDATION
 FOR BASE MOUNTED TRAFFIC SIGNAL CONTROL CABINET
 CITY OF CHICAGO
 SUPERSEDES DWG. NO. 888
 DATED 6-19-02

FILE PATH = c:\pwworking\escom00\ggedemer\20204536\160w26-sht-Ts-14.dgn

EJM ENGINEERING, INC.
 411 South Wells Street Suite 1000
 Chicago, Illinois 60607

DESIGNED - PWF	REVISED -
DRAWN - PWF	REVISED -
CHECKED - GG	REVISED -
DATE - 08/20/13	REVISED -

STATE OF ILLINOIS
 DEPARTMENT OF TRANSPORTATION

CDOT STANDARD DRAWINGS

SCALE: NONE SHEET 6 OF 8 SHEETS STA. TO STA.

F.A.I. R.T.E. 90/94/290	SECTION 2013-008R	COUNTY COOK	TOTAL SHEETS 559	SHEET NO. 221
CONTRACT NO. 60W26			ILLINOIS FED. AID PROJECT	