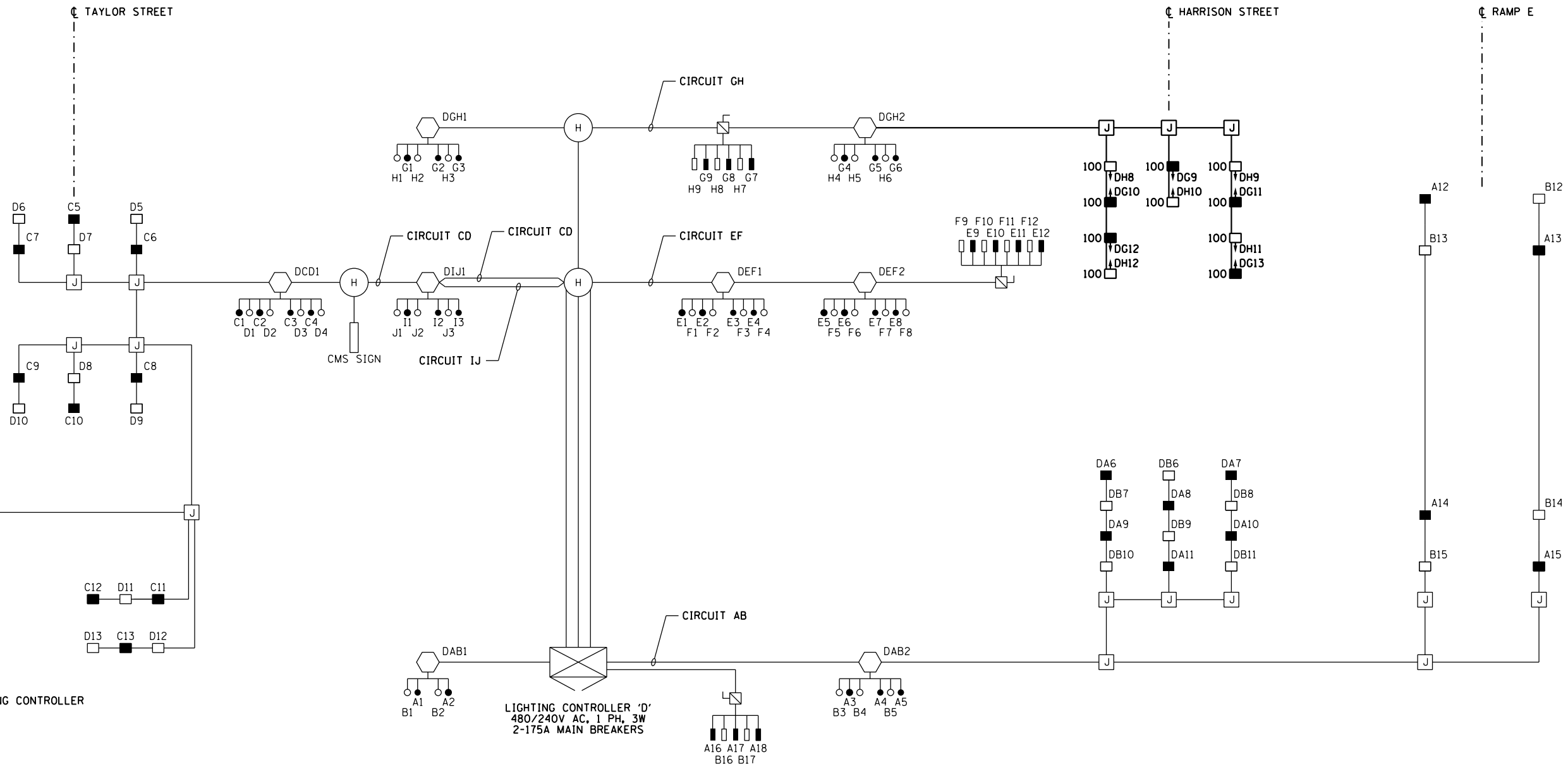


FILE PATH = p:\388035\pmt\l\ecom\line\local\p\AECD\000\Documents\01\_Americas\Transportation\60269938\_Circle\Phase\_1\1000\_CAD\016\_Electrical\Sheets\60W26\_Contract\0160W26-sht-Light-06B



**SYMBOLS LEGEND**

- EXISTING IDOT LIGHTING CONTROLLER
- EXISTING HANDHOLE
- EXISTING JUNCTION BOX
- HANDHOLE
- EXISTING CMS SIGN
- EXISTING UNDERPASS LIGHTING UNIT  
55 WATT HPS LUMINAIRE  
(BLACK PHASE - SOLID SYMBOL  
RED PHASE - OPEN SYMBOL)
- EXISTING HIGH MAST LIGHT TOWER  
400 WATT HPS LUMINAIRE  
(BLACK PHASE - SOLID SYMBOL  
RED PHASE - OPEN SYMBOL)
- LIGHTED OVERHEAD SIGN STRUCTURE  
WITH 170 WATT FLUORESCENT  
LUMINAIRES, QUANTITY OF  
LUMINAIRES AS REQUIRED  
(BLACK PHASE - SOLID SYMBOL  
RED PHASE - OPEN SYMBOL)
- PROPOSED UNDERPASS LIGHTING UNIT  
70 OR 100 WATT HPS LUMINAIRE  
(BLACK PHASE - SOLID SYMBOL  
RED PHASE - OPEN SYMBOL)
- PROPOSED JUNCTION BOX

LOAD TABLE LIGHTING CONTROLLER "D"					
CIRCUIT	BLACK PHASE		CIRCUIT	RED PHASE	
	AMPS	WATTS		AMPS	WATTS
A	23.5	5,640	B	23	5,520
C	30.35	7,284	D	19.85	4,764
E	17.2	4,128	F	17.2	4,128
G	15.95	3,828	H	15.95	3,828
I	5.7	1,368	J	5.7	1,368
K	-	-	L	-	-
M	-	-	N	-	-
O	-	-	P	-	-
TOTAL	92.7	22,248	TOTAL	81.7	19,608



E-06B



DESIGNED - WDS  
 DRAWN - CAM  
 CHECKED - WDS  
 DATE - 9/15/13

REVISIONS:  
 REVISED -  
 REVISED -  
 REVISED -  
 REVISED -

STATE OF ILLINOIS  
 DEPARTMENT OF TRANSPORTATION

SCALE: N.T.S. SHEET 6B OF 22 SHEETS STA. TO STA.

IDOT LIGHTING CONTROLLER 'D'  
 WIRING DIAGRAM

F.A.I. RTE. 90/94/290	SECTION 2013-008R	COUNTY COOK	TOTAL SHEETS 559	SHEET NO. 229B
CONTRACT NO. 60W26				
ILLINOIS FED. AID PROJECT				