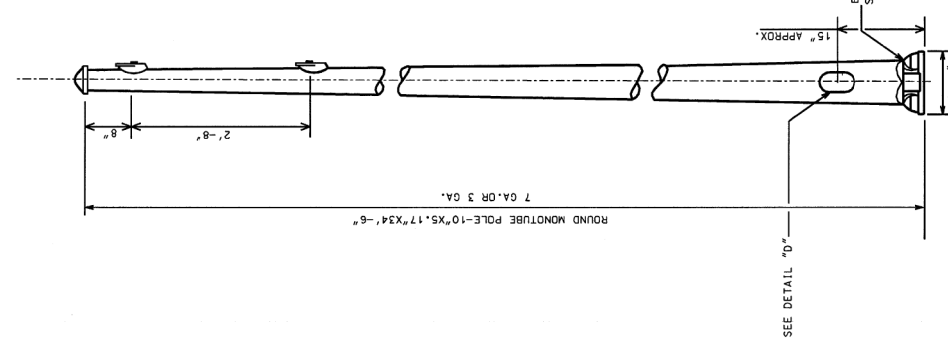
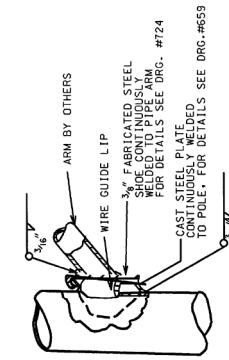


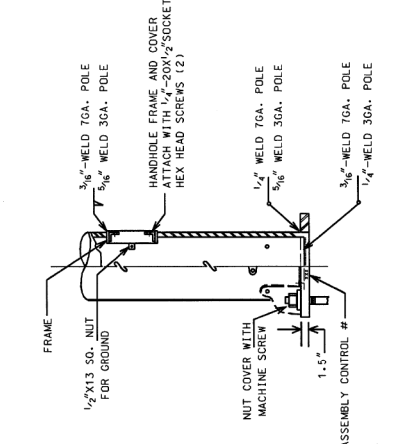
3/8" - 16NC(1" LONG)
SET SCREWS (301207)
POLE CAP
MATERIAL: CAST STEEL
FORM # 114202A



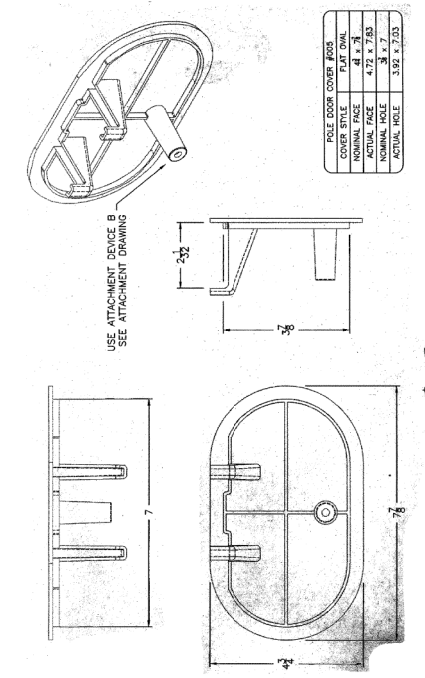
ROUND MONITUBE POLE - 10"x5.17"x34'-6"



SECTION AT POLE PLATE

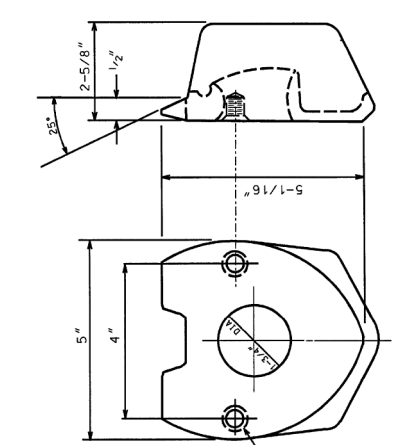


DETAIL "D"

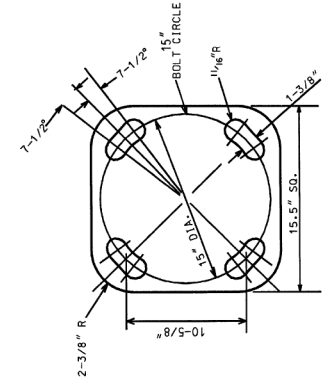


HANDHOLE DETAIL

POLE COVER FOR	POLE COVER FOR
COVER STYLE	FLAT DIAL
ACTUAL HOLES	4.1 x 7.0
NOMINAL HOLES	4.1 x 7.0
ACTUAL HOLES	3.92 x 7.03

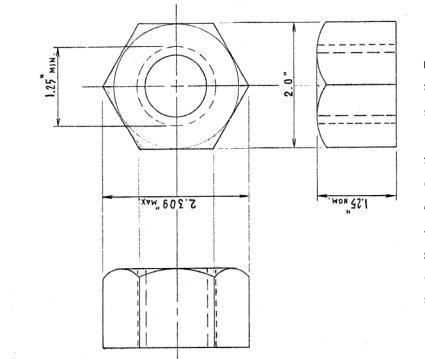


2 BOLT MAST ARM ATTACHMENT
FOR DETAILS SEE DRG. # 659 MATERIAL: CAST STEEL

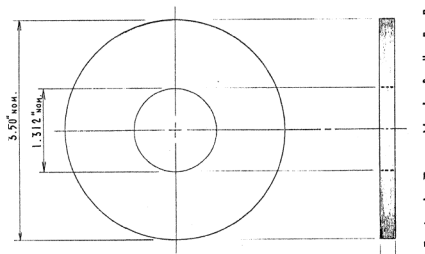


DETAIL "A"
BOLT SLOTS

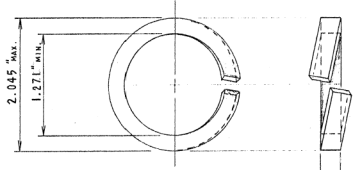
5.17"x10.0" STEEL/34'-6" POLE 7 OR 3 GAUGE	
CITY OF CHICAGO DEPT. OF PUBLIC WORKS DIVISION OF ELECTRICITY OFFICE OF ENGINEERING	
DRAFTSMAN: ROBERT IVY	ENGINEER: ROBERT CARTER
SUPERVISING ENGINEER: ROBERT CARTER	DESIGN ENGINEER: RON POOL
ENGINEER OF ELECTRICITY: RON POOL	DWG. NO. 808
DEPUTY COMMISSIONER: <i>Blair J. Murphy</i>	DATE 10-03-01



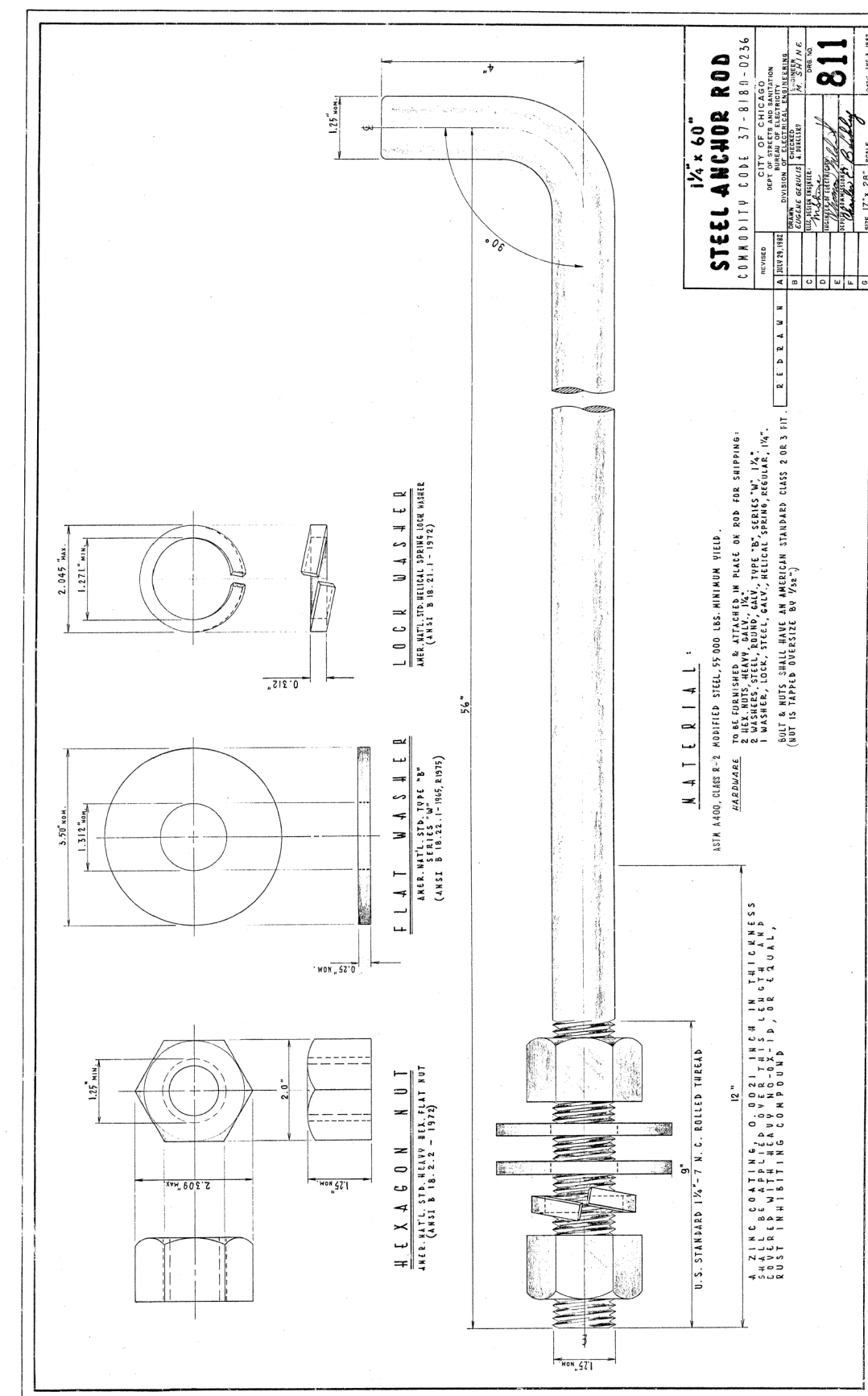
HEXAGON NUT
AMER. NAT'L. STD. HEAVY HEX. FLAT NUT
(ANSI B 18.2.2 - 1975)



FLAT WASHER
AMER. NAT'L. STD. TYPE "B"
(ANSI B 18.2.1 - 1975)



LOCK WASHER
AMER. NAT'L. STD. HELICAL SPRING LOCK WASHER
(ANSI B 18.21.1 - 1972)



MATERIAL

ASTM A400, CLASS B - 2 MODIFIED STEEL, 55 000 LBS. MINIMUM YIELD.
HARDWARE
TO BE FURNISHED & ATTACHED IN PLACE ON ROD FOR SHIPPING:
2 HEX. NUTS, HEAVY, GALV., 1/4". TYPE "B", CLASS "B", 1/4".
2 WASHERS, LOCK, STEEL, GALV., HELICAL SPRING, REGULAR, 1/4".
BOLT & NUTS SHALL HAVE AN AMERICAN STANDARD CLASS 2 OR 3 FIT.
(NUT IS TAPPED INVERSE BY 75%)

U.S. STANDARD 1/4"-7 N.C. ROLLED THREAD
18"
ZINC COATING: 0.0021 INCH IN THICKNESS
SHALL BE APPLIED OVER THIS LENGTH AND
COULDED WITH HEAVY NO. 0X-19, OR EQUAL,
RUST INHIBITING COMPOUND

1/4" x 60"	
STEEL ANCHOR ROD	
COMMUNITY CODE 37-8180-0256	
REVISION	CITY OF CHICAGO DEPT. OF PUBLIC WORKS DIVISION OF ELECTRICITY OFFICE OF ENGINEERING
A	DATE: 10/3/01
B	DATE: 10/3/01
C	DATE: 10/3/01
D	DATE: 10/3/01
E	DATE: 10/3/01
F	DATE: 10/3/01
G	DATE: 10/3/01

D160W26-sht-Light-17	DESIGNED - WDS	REVISED -
USER NAME = myersc	DRAWN - CAM	REVISED -
PLOT SCALE = 1:8000 / 1"	CHECKED - WDS	REVISED -
PLOT DATE = 8/15/2013	DATE - 8/20/13	REVISED -

MISCELLANEOUS ELECTRICAL DETAILS	
SCALE: N.T.S.	SHEET 17 OF 22 SHEETS STA. TO STA.

F.A.I. R.T.E.	SECTION	COUNTY	TOTAL SHEETS	SHEET NO.
90/94/290	2013-008R	COOK	559	240
CONTRACT NO. 60W26				
ILLINOIS FED. AID PROJECT				