



USER NAME = myersc  
 PLOT SCALE = 1:0000 / 1" = 10'-0"  
 PLOT DATE = 8/15/2013

DESIGNED - WDS  
 DRAWN - CAM  
 CHECKED - WDS  
 DATE - 8/20/13

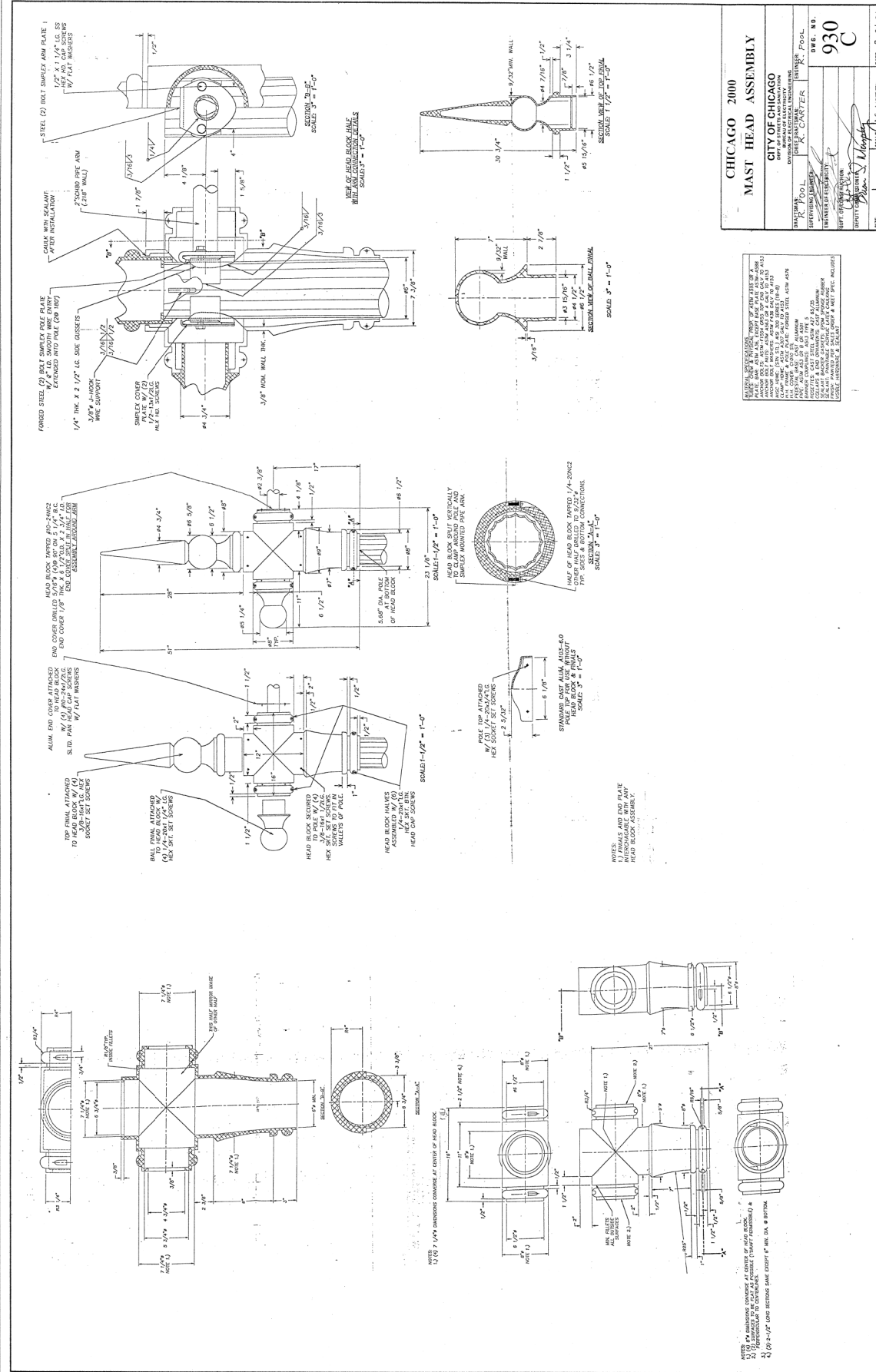
REVISED -  
 REVISED -  
 REVISED -  
 REVISED -

STATE OF ILLINOIS  
 DEPARTMENT OF TRANSPORTATION

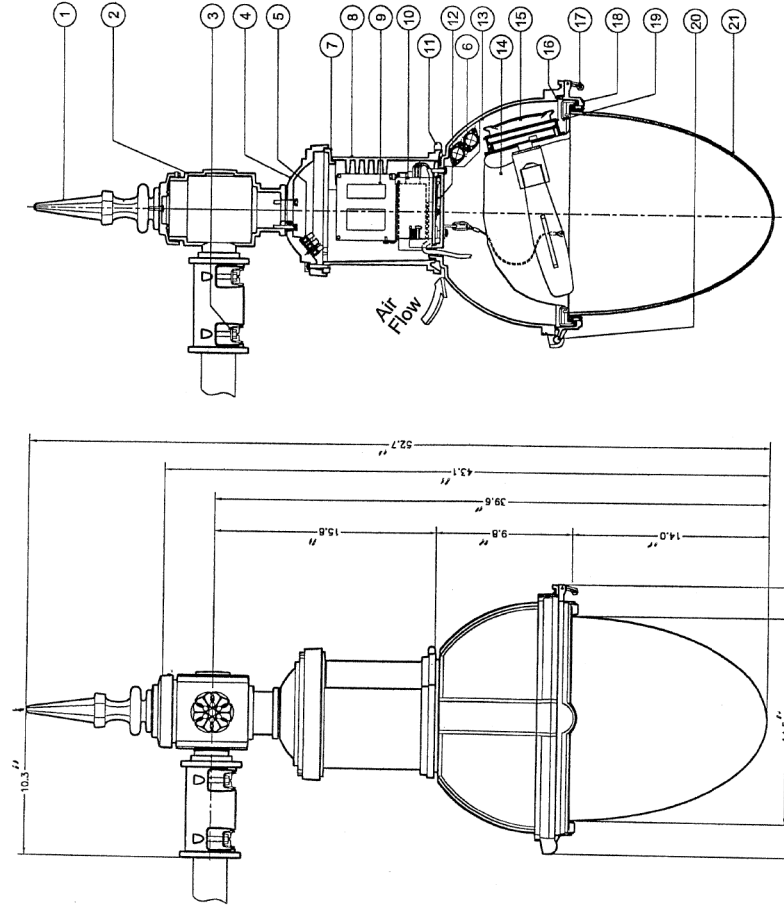
MISCELLANEOUS ELECTRICAL DETAILS

SCALE: N.T.S. SHEET 21 OF 22 SHEETS STA. TO STA.

F.A.I. R.T.E.	SECTION	COUNTY	TOTAL SHEETS	SHEET NO.
90/94/290	2013-008R	COOK	559	244
CONTRACT NO. 60W26				
ILLINOIS FED. AID PROJECT				



CHICAGO 2000  
 MAST HEAD ASSEMBLY  
 CITY OF CHICAGO  
 DEPARTMENT OF ELECTRICAL ENGINEERING  
 DATE: 8-20-13



- Finish: Sand cast aluminum, 356 alloy, set screw assembled to slip filter.
- Slip filter: Permanent cast aluminum, 356 alloy, allowing level adjustment.
- Clamp (C): Galvanized steel clip (AK) 30-10 s.s. dryloc treated bolts.
- Upper Housing Cap: Permanent cast aluminum, 356 alloy, secured to slip filter by 6 X 5/16-18 bolts, rough keyhole openings.
- Terminal block: 600V, 3 connections, Busco cat #21.341.4253.
- Fuse and Fuse Holder: (2x) Bayonet-type knob for 1-1/2 fuse, Bussman cat #HPS 600 volts c/w fuses (Bussman cat #Hbk-5 600 vol).
- Upper Housing: Permanent cast aluminum, 356 alloy, c/w silicone gasket on door perimeter.
- Ballast Access Door: Permanent cast aluminum, 356 alloy, with integrated hinge and heat sink.
- Ballast: 310W, Advance cat #7148391, CWA, quad volt (120,208,240/277V) c/w dry film capacitor 45µF @ 280V and base (P-type spartan cat #DUL100S), or 2 50W c/w c/w #7477.
- Ballast Tag: 16 ga. sub-zinc steel, tool-free removable, sliding on a 16 ga. galvanized steel rail. Contact ballast heat sink is assured by 2 springs.
- Ballast Door Latch: 16 ga. s.s. T201 spring tempered.
- Luminaire Hanger: Space between lower and upper housing.
- Lower Housing: Permanent cast aluminum, 356 alloy, secured to upper housing by 3 1/2-20 bolts.
- Reflector: Chemically brightened anodized hydroformed aluminum, permanently assembled to lens (Sohaf) using liquid silicone. Tool-free removable from the lens frame.
- Shutter: Polyethylene sulfide plastic (PPS) c/w silicone gasket and lamp-holder (Key pins, mogul, Lenox cat #8756-592). Tool-free lamp access.
- Gasket: EPDM gasket.
- Tension Latch: 0.125" dia. 304 s.s. wire allowing tool-free access to optical system.
- Lens Frame: Permanent cast aluminum, 356 alloy, grinding access to optical system and secured by stainless steel cable.
- Optical System Retainer: (4x) 0.125" dia. 304 s.s. wire allowing tool-free access to optical system.
- Hinge: Lens frame and lower housing have an integral hinge.
- Lens: Clear acrylic V825 HD, with prismatic interior and textured exterior surfaces.

1. LUMINAIRE SECTION

1. LUMINAIRE ELEVATION

REVISION	
A	DATE
TEARDROP LUMINAIRE FOR CHICAGO 2000 POLE	
CITY OF CHICAGO DEPARTMENT OF ELECTRICAL ENGINEERING CHIEF ELECTRICAL ENGINEER	
DESIGNED BY	D.W.B. NO.
ENGINEER	931
CHECKED BY	DATE 9-5-02
SUPPLY COMMENTS	SCALE: