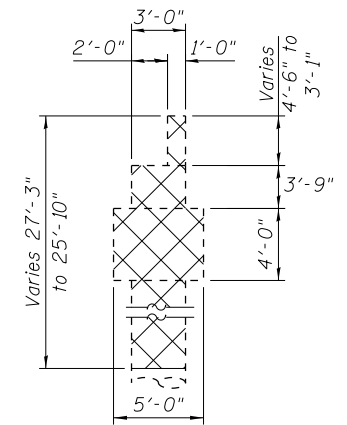
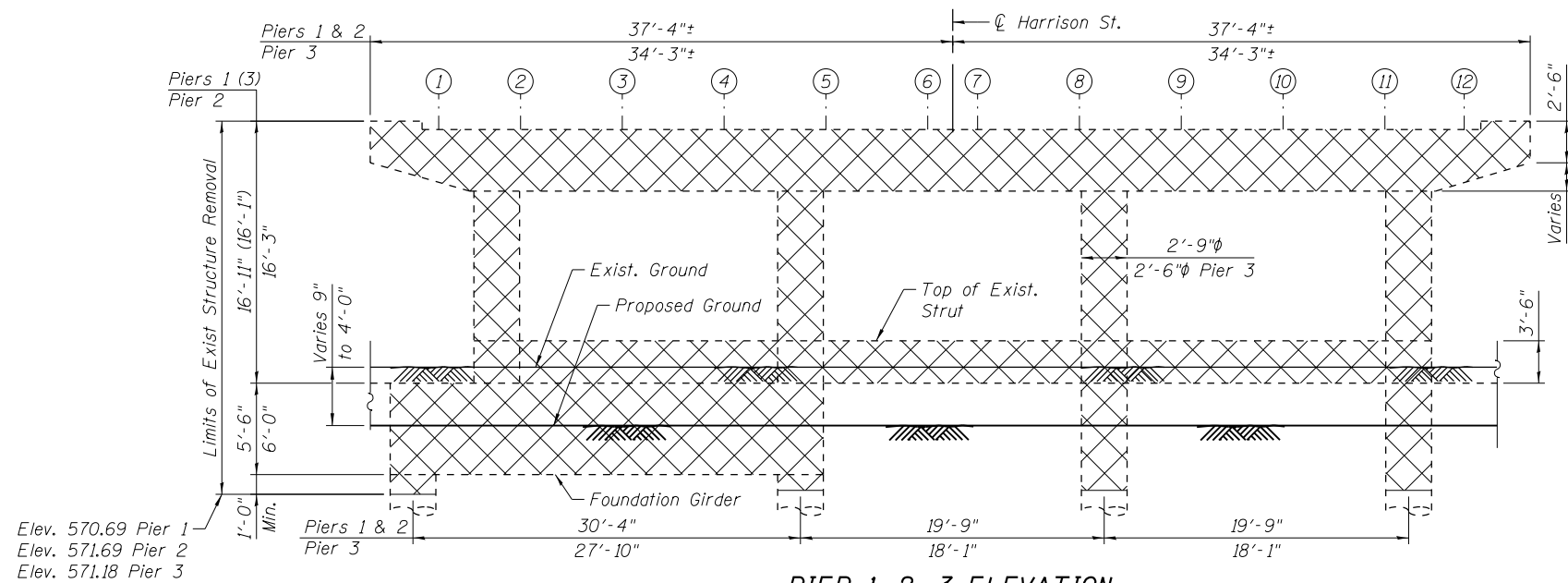


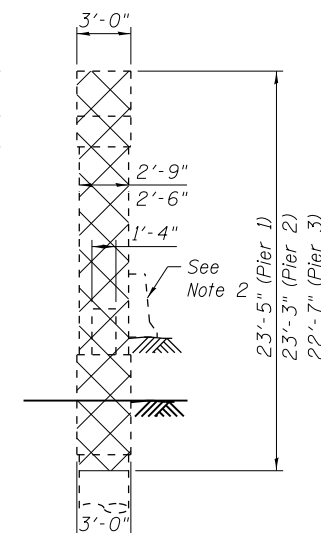
WEST ABUTMENT ELEVATION
(Looking West)



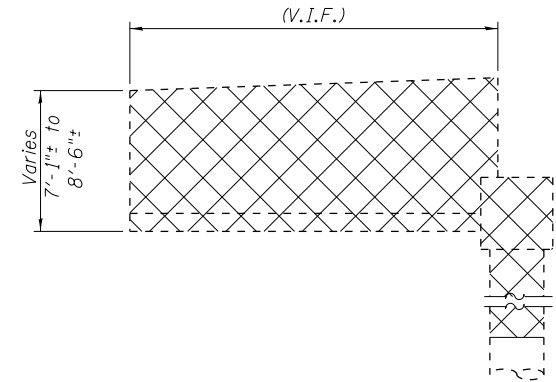
SECTION A-A



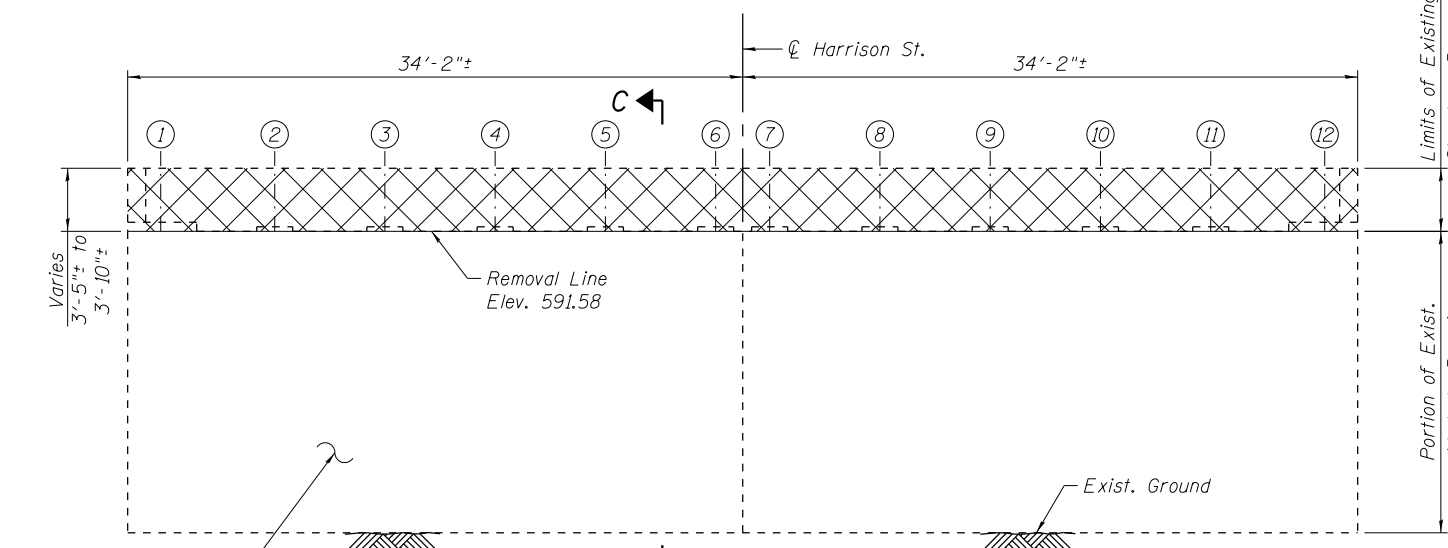
PIER 1, 2, 3 ELEVATION
(Looking East)



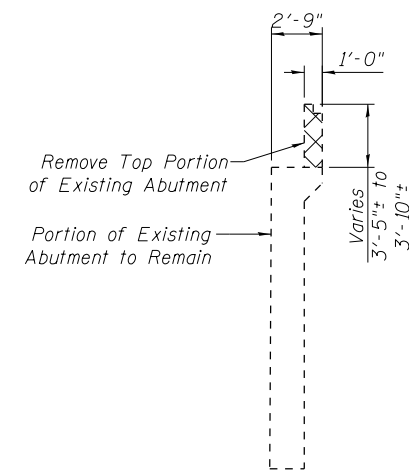
END VIEW



VIEW B-B



EAST ABUTMENT ELEVATION
(Looking East)



SECTION C-C

NOTES:

1. Work this sheet with sheets S1-04 and S1-06.
2. See Civil Plans for Existing Roadway Barrier Removal under structure, along ramps and I-90/94.
3. V.I.F. indicates Verify In Field.

LEGEND:

- Removal of Existing Structure
- Existing Girder Locations

0161713-60W26-S05-Removal



| | | |
|------------------------|----------------|---------|
| USER NAME = dunkerleyb | DESIGNED - EJO | REVISED |
| PLOT SCALE = N.T.S. | CHECKED - ATB | REVISED |
| PLOT DATE = 9/15/2013 | DRAWN - MRK | REVISED |
| | CHECKED - EJO | REVISED |

STATE OF ILLINOIS
DEPARTMENT OF TRANSPORTATION

EXISTING STRUCTURAL REMOVAL (2 OF 3)
STRUCTURE NO. 016-1713

SHEET NO. S1-05 OF S1-48 SHEETS

| | | | | |
|-----------------------|-------------------|-------------|---------------------------|---------------|
| F.A.I. RTE. 90/94/290 | SECTION 2013-008R | COUNTY COOK | TOTAL SHEETS 559 | SHEET NO. 255 |
| CONTRACT NO. 60W26 | | | ILLINOIS FED. AID PROJECT | |