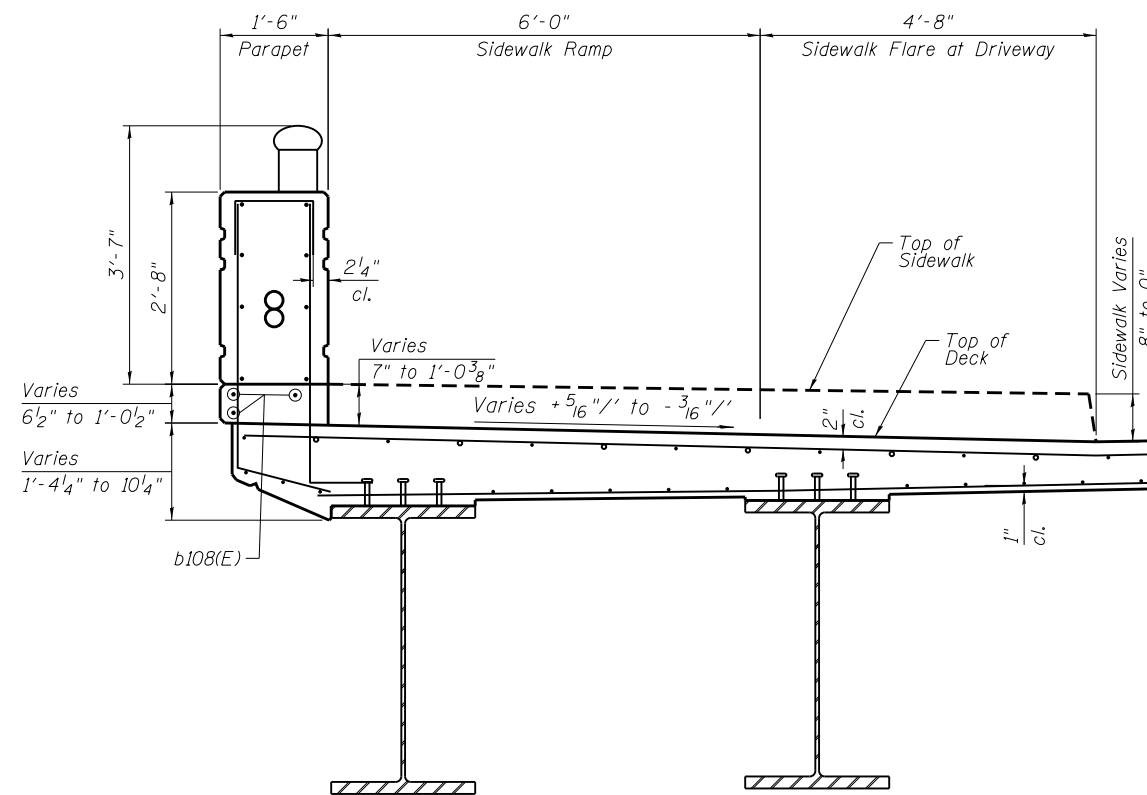
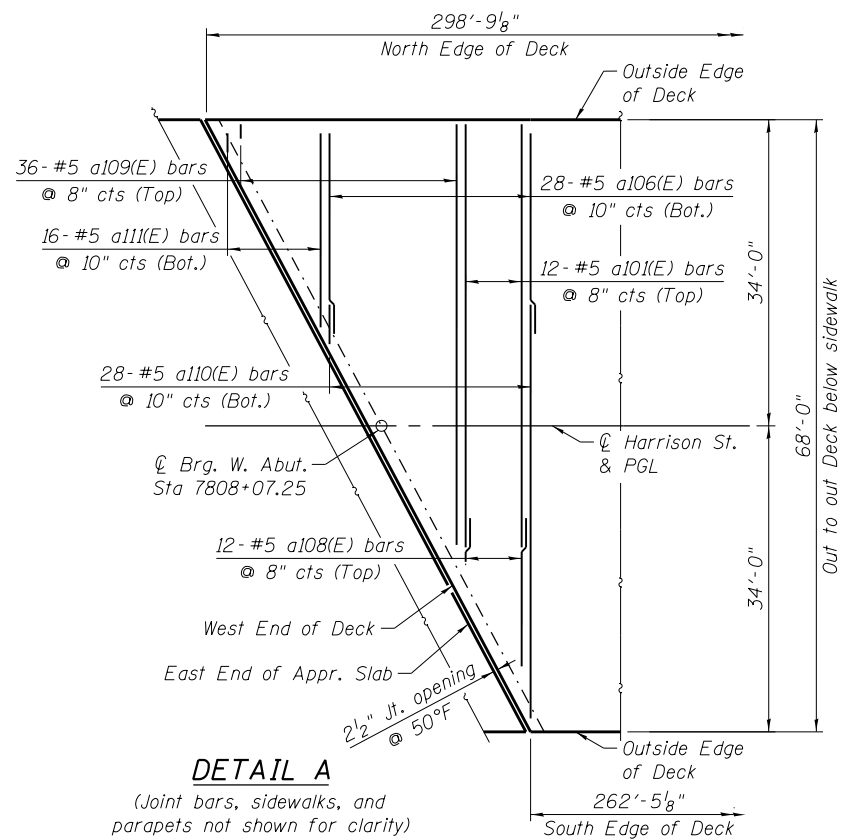


**SIDEWALK RAMP PLAN**

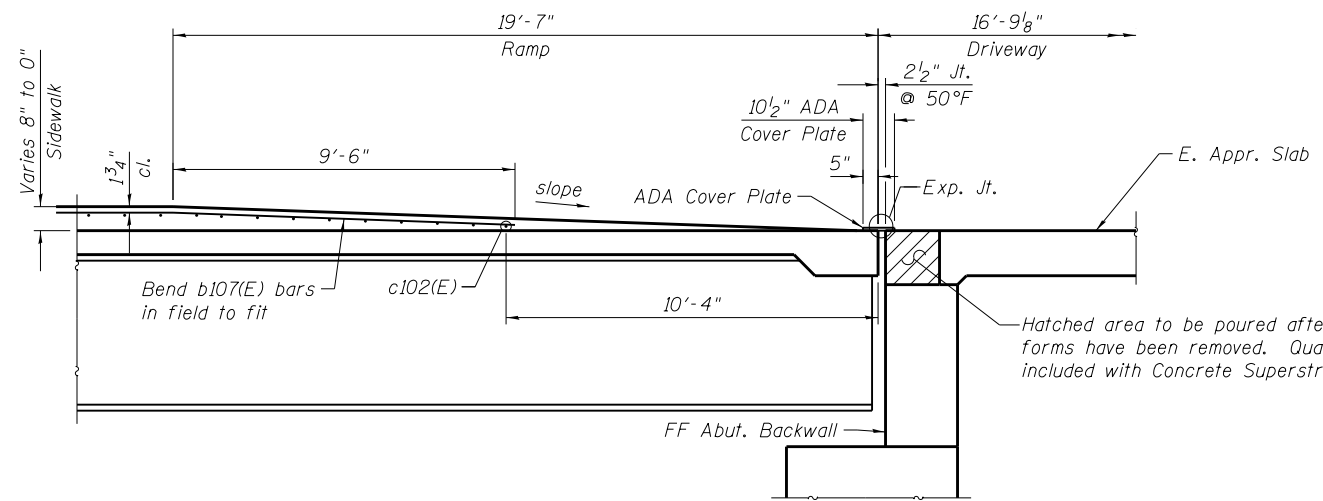


**SECTION C-C THRU SOUTH SIDEWALK RAMP**  
(Facing West)



**DETAIL A**

(Joint bars, sidewalks, and parapets not shown for clarity)



**SECTION D-D: SIDEWALK RAMP ELEVATION**  
(Looking North)

**NOTES:**

1. Work this sheet with S1-16.
2. See Civil plans for driveway flare details.
3. See sheet S1-27 for Expansion Joint details and ADA cover plate details.

0161713-60W26-S17-Deck



USER NAME = dunkerleyb  
PLOT SCALE = N.T.S.  
PLOT DATE = 9/15/2013

DESIGNED - EJO  
CHECKED - ATB  
DRAWN - BRD  
CHECKED - EJO

REVISED  
REVISED  
REVISED  
REVISED

STATE OF ILLINOIS  
DEPARTMENT OF TRANSPORTATION

DECK PLAN II  
STRUCTURE NO. 016-1713

SHEET NO. S1-17 OF S1-48 SHEETS

F.A.I. RTE.	SECTION	COUNTY	TOTAL SHEETS	SHEET NO.
90/94/290	2013-008R	COOK	559	267
CONTRACT NO.			60W26	
ILLINOIS FED. AID PROJECT				