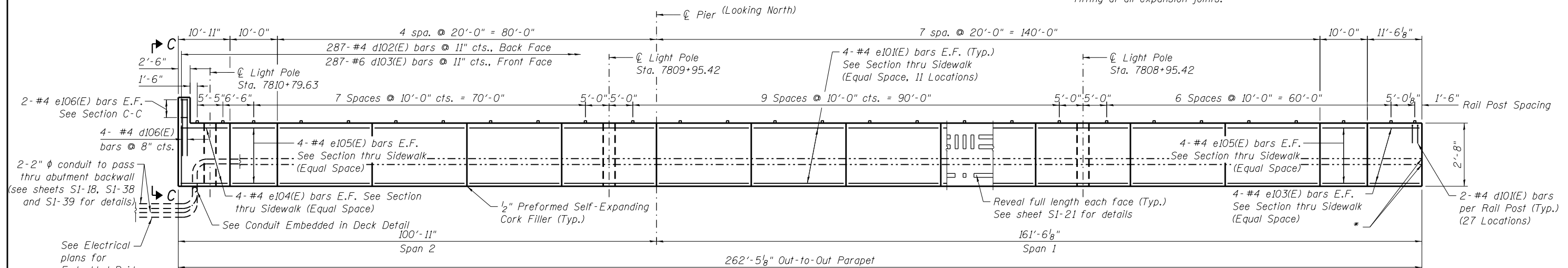


**INSIDE ELEVATION OF NORTH PARAPET**

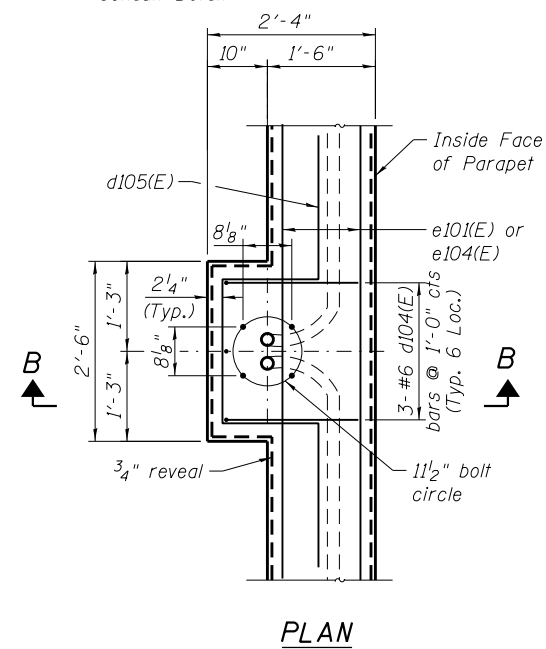
\*Provide conduit expansion/deflection fitting at all expansion joints.



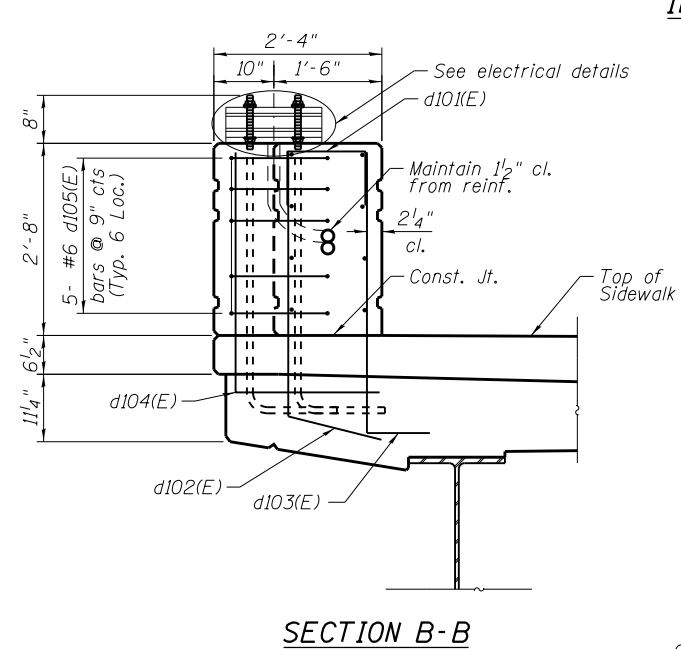
**INSIDE ELEVATION OF SOUTH PARAPET**

**NOTES:**

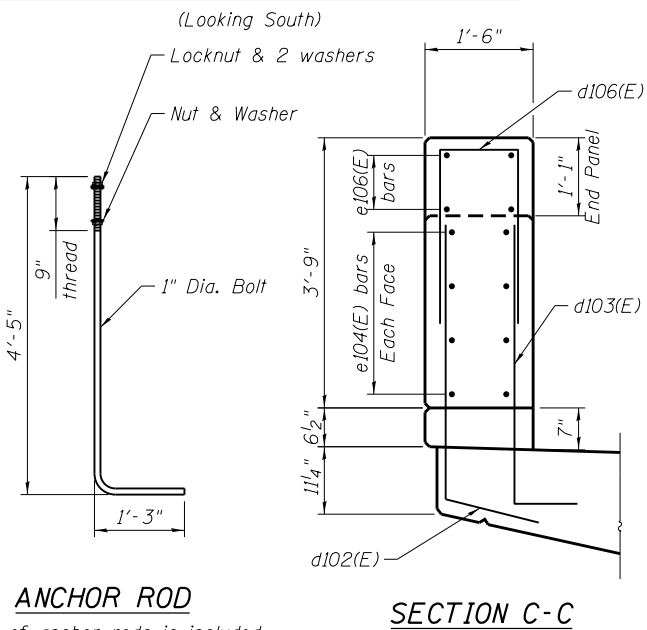
1. See sheets S1-23 thru S1-26 for approach slab parapet details.
2. Contractor to provide expansion/deflection conduit fittings at all structural expansion joints. See lighting plans for expansion/deflection fitting installation details.
3. Work this sheet with S1-18 and S1-20.
4. See sheet S1-41 for additional rail details.
5. Decorative Rail Parapet Mounted is continuous in front of light poles.



**PLAN**



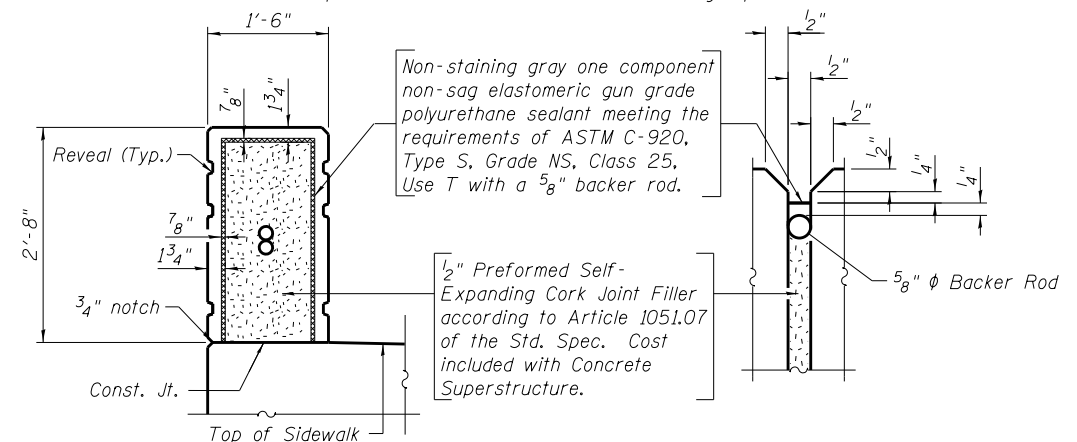
**SECTION B-B**



**ANCHOR ROD**

Cost of anchor rods is included with Concrete Superstructure. (ASTM F 1554 Grade 105) Full length hot dipped galvanized

**SECTION C-C**



**PARAPET JOINT DETAILS**

0161713-60W26-S19-Parapet



USER NAME = dunkerleyb	DESIGNED - EJO	REVISED
PLOT SCALE = N.T.S.	CHECKED - ATB	REVISED
PLOT DATE = 9/15/2013	DRAWN - BRD	REVISED
	CHECKED - EJO	REVISED

**STATE OF ILLINOIS  
DEPARTMENT OF TRANSPORTATION**

**PARAPET ELEVATIONS  
STRUCTURE NO. 016-1713**

SHEET NO. S1-19 OF S1-48 SHEETS

F.A.I. RTE. 90/94/290	SECTION 2013-00BR	COUNTY COOK	TOTAL SHEETS 559	SHEET NO. 269
CONTRACT NO. 60W26			ILLINOIS FED. AID PROJECT	