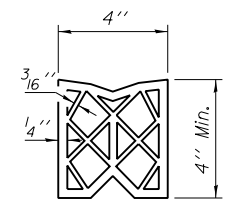


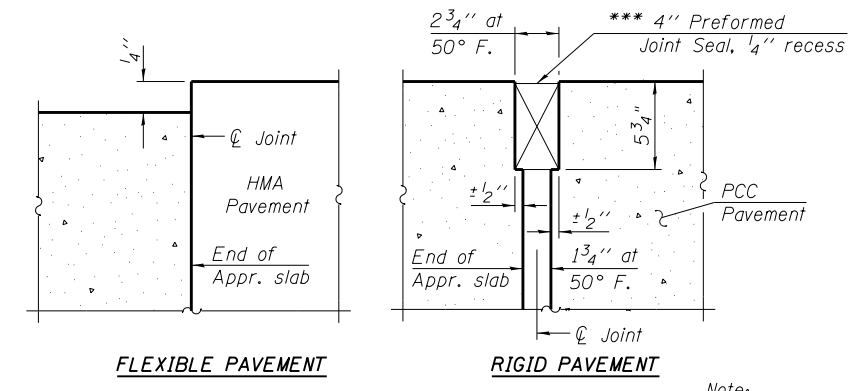
**NOTES:**

See sheet SI-24 of SI-48 for Sections C-C, D-D, View E-E and View F-F.



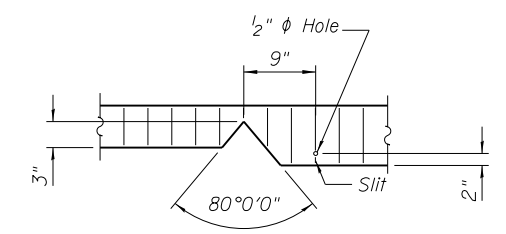
**PREFORMED JOINT SEAL**

\*\*\* Cost included with Concrete Superstructure.

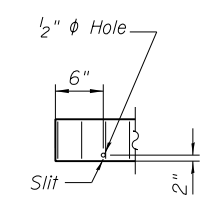


**DETAIL A**

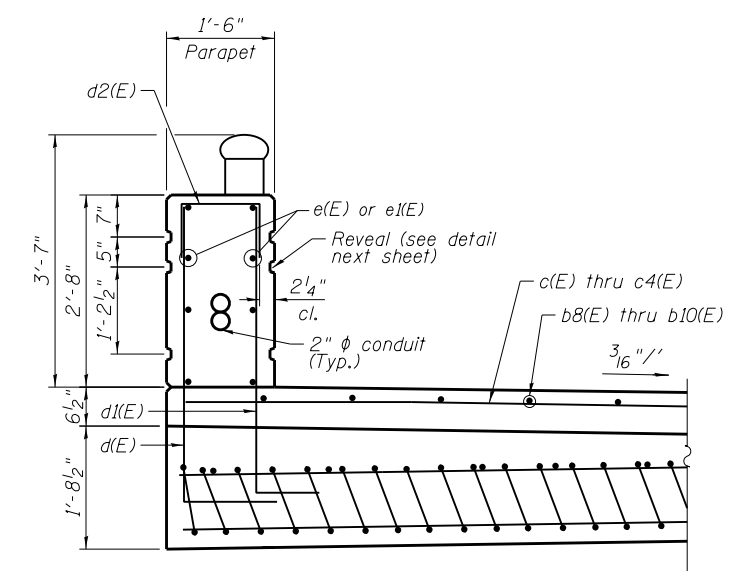
Note: Dimensions are at right angles.



**SEAL CUT-OUT AT CURB**



**END OF SEAL CUT-OUT**



**SECTION B-B**

**PLAN**

0161713-60W26-S23-Appr Slab



USER NAME = dunkerleyb	DESIGNED - EJO	REVISED
PLOT SCALE = N.T.S.	CHECKED - ATB	REVISED
PLOT DATE = 9/15/2013	DRAWN - BRD	REVISED
	CHECKED - EJO	REVISED

**STATE OF ILLINOIS  
DEPARTMENT OF TRANSPORTATION**

**WEST APPROACH SLAB PLAN  
STRUCTURE NO. 016-1713**

SHEET NO. SI-23 OF SI-48 SHEETS

F.A.I. RTE. 90/94/290	SECTION 2013-00BR	COUNTY COOK	TOTAL SHEETS 559	SHEET NO. 273
CONTRACT NO. 60W26			ILLINOIS FED. AID PROJECT	