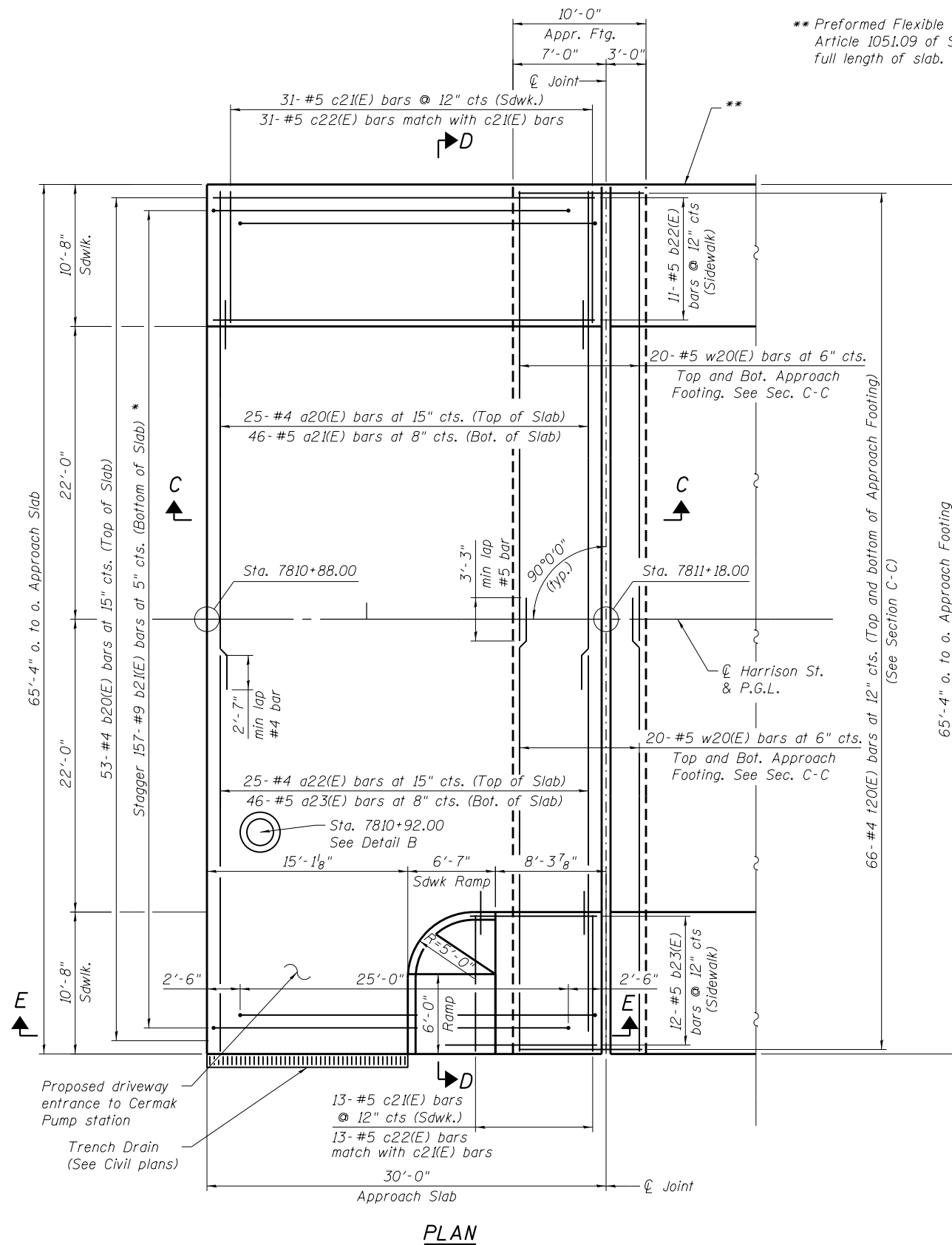


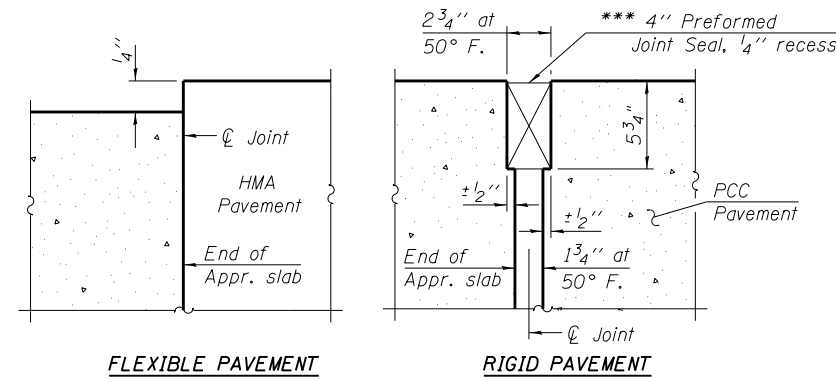
** Preformed Flexible Foam Expansion Joint Filler according to Article 1051.09 of Standard Specifications. Full depth of slab.

*** Cost included with Concrete Superstructure.



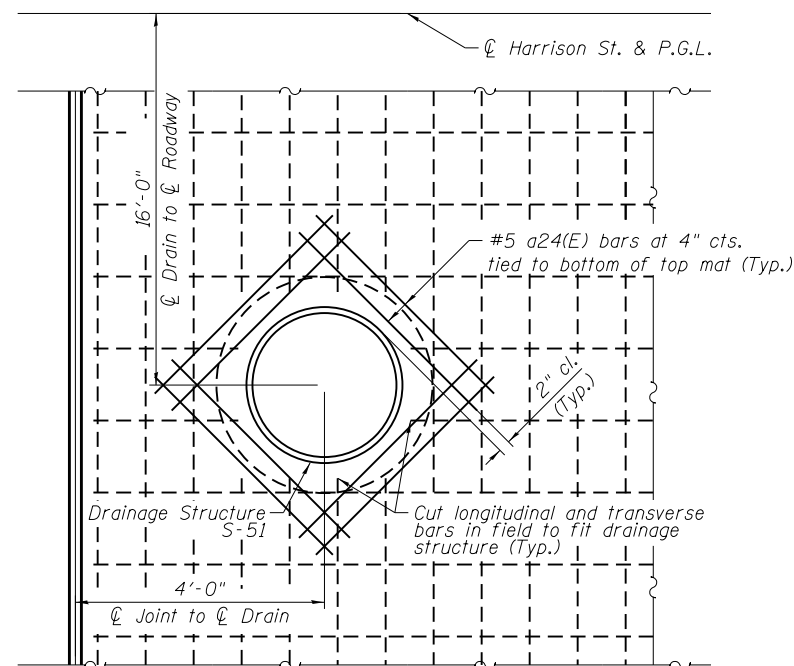
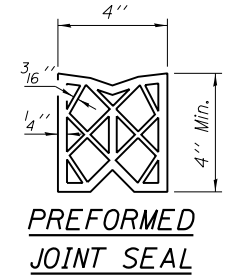
PLAN

* Tilt #9 b21(E) bars as required to maintain clearance.



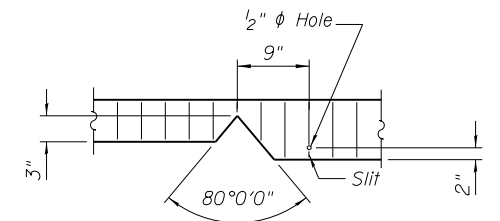
DETAIL A

Note:
Dimensions are at right angles.



DETAIL B

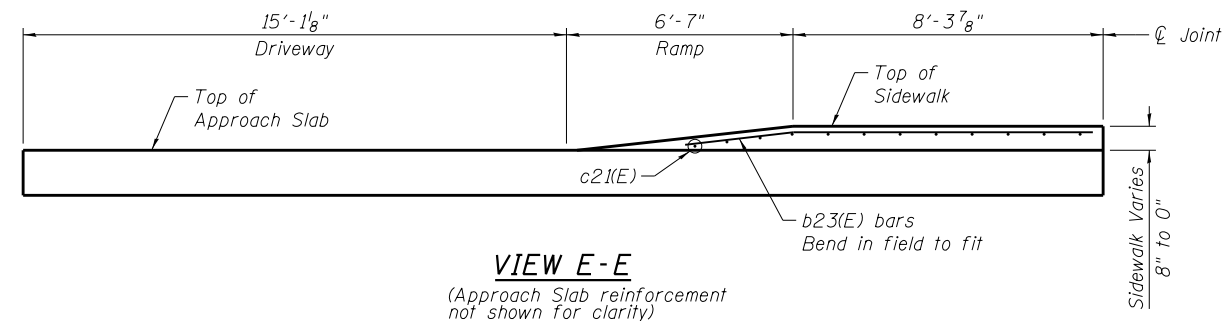
Cost of cutting bars included in Reinforcement Bars, Epoxy Coated



SEAL CUT-OUT AT CURB

NOTES:

1. See sheet S1-26 of S1-48 for Sections C-C & D-D.
2. See Civil plans for driveway flare details.
3. See Civil plans for drainage structure details.



VIEW E-E

(Approach Slab reinforcement not shown for clarity)

0161713-60W26-S25-Appr Slab



USER NAME = dunkerleyb	DESIGNED - EJO	REVISED
PLOT SCALE = N.T.S.	CHECKED - ATB	REVISED
PLOT DATE = 9/15/2013	DRAWN - BRD	REVISED
	CHECKED - EJO	REVISED

STATE OF ILLINOIS
DEPARTMENT OF TRANSPORTATION

EAST APPROACH SLAB PLAN
STRUCTURE NO. 016-1713

SHEET NO. S1-25 OF S1-48 SHEETS

F.A.I. RTE. 90/94/290	SECTION 2013-008R	COUNTY COOK	TOTAL SHEETS 559	SHEET NO. 275
CONTRACT NO. 60W26			ILLINOIS FED. AID PROJECT	