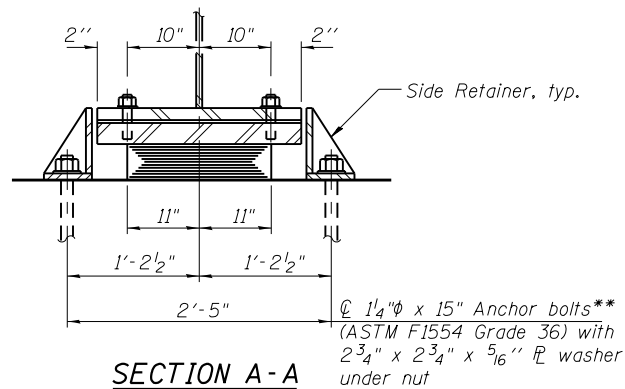
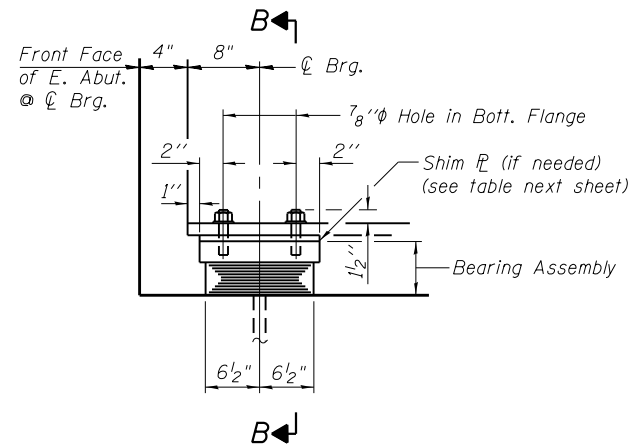


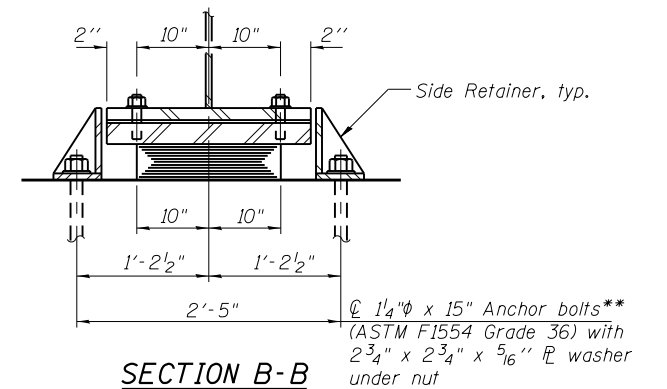
ELEVATION AT W. ABUT.



SECTION A-A



ELEVATION AT E. ABUT.



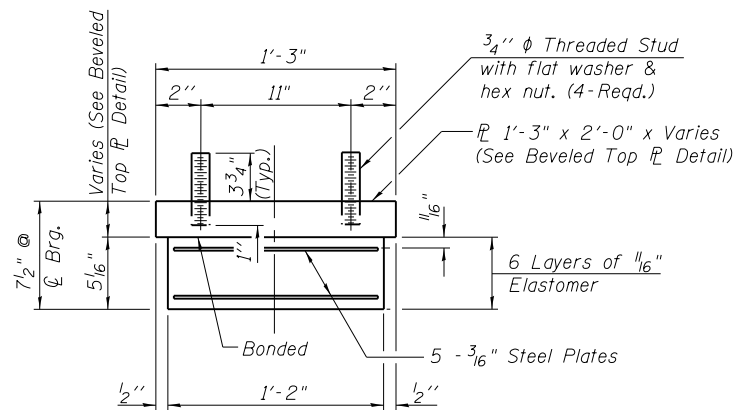
SECTION B-B

TYPE I ELASTOMERIC EXP. BRG. WEST ABUTMENT

** Length shown is minimum required embedment length.

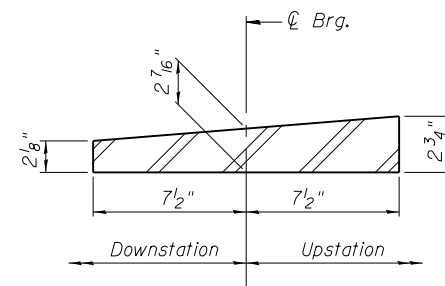
TYPE I ELASTOMERIC EXP. BRG. EAST ABUTMENT

** Length shown is minimum required embedment length.

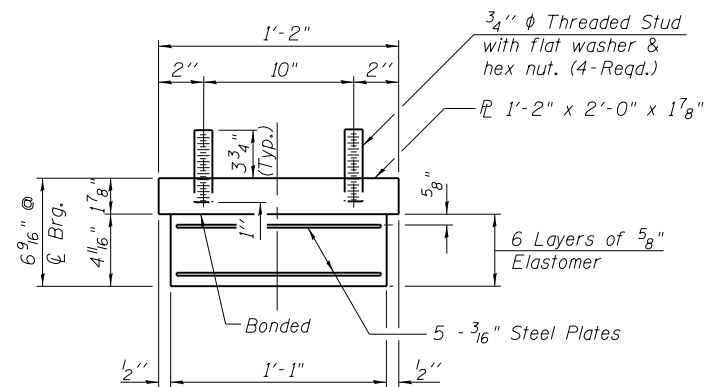


BEARING ASSEMBLY

Note: Shim plates shall not be placed under Bearing Assembly.

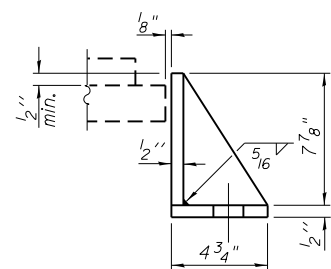


BEVELED TOP PLATE DETAIL WEST ABUTMENT



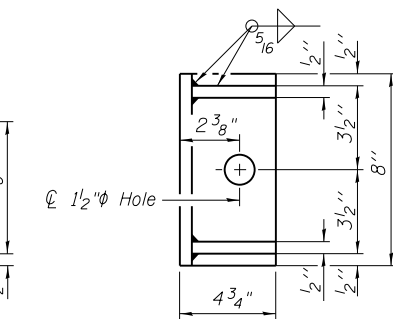
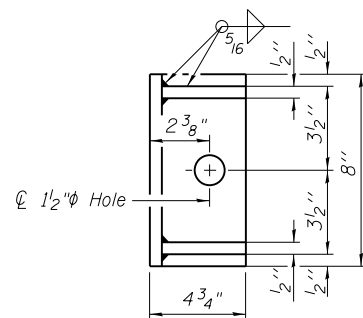
BEARING ASSEMBLY

Note: Shim plates shall not be placed under Bearing Assembly.



SIDE RETAINER

Equivalent rolled angle with stiffeners will be allowed in lieu of welded plates.



SIDE RETAINER

Equivalent rolled angle with stiffeners will be allowed in lieu of welded plates.

NOTES:

- Anchor bolts shall be ASTM F1554 all-thread (or an Engineer-approved alternate material) of the grade(s) and diameter(s) specified. The corresponding specified grade of AASHTO M314 anchor bolts may be used in lieu of ASTM F1554.
- Anchor bolts for side retainers may be cast in place or installed in holes drilled before or after members are in place.
- Drilled and set anchor bolts shall be installed according to Article 521.06 of the Standard Specifications.
- Side retainers and other steel members required for the elastomeric bearing assembly shall be included in the cost of Elastomeric Bearing Assembly, Type I.
- The structural steel plates of the Bearing Assembly shall conform to the requirements of AASHTO M270 Grade 50.
- Two 1/8 in. adjusting shims shall be provided for each bearing in addition to all other plates or shims and placed as shown on bearing details.
- All (embedded and separate) bearing plates, side retainers, anchor bolts, nuts, washers and pintles shall be galvanized according to AASHTO M111 or M232 as applicable.

BILL OF MATERIAL

Item	Unit	Total
Elastomeric Bearing Assembly Type I	Each	24
Anchor Bolts, 1 1/4"	Each	48

0161713-60W26-S32-Bearing



USER NAME = dunkerleyb
 PLOT SCALE = N.T.S.
 PLOT DATE = 9/15/2013

DESIGNED - EJO
 CHECKED - ATB
 DRAWN - BRD
 CHECKED - EJO

REVISED
 REVISED
 REVISED
 REVISED

STATE OF ILLINOIS
 DEPARTMENT OF TRANSPORTATION

ELASTOMERIC BEARING DETAILS
 STRUCTURE NO. 016-1713

SHEET NO. S1-32 OF S1-48 SHEETS

F.A.I. RTE.	SECTION	COUNTY	TOTAL SHEETS	SHEET NO.
90/94/290	2013-008R	COOK	559	282
CONTRACT NO.			60W26	
ILLINOIS FED. AID PROJECT				