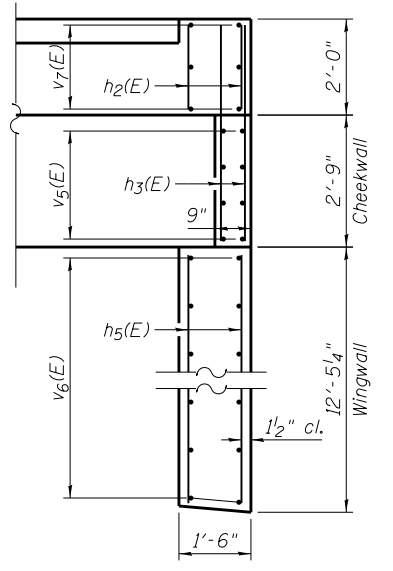


PLAN

Lateral load resisted by existing abutment to remain. Proposed East Abutment designed for vertical load only.

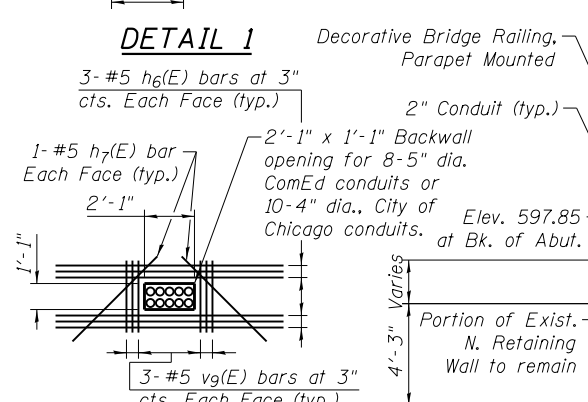
Note C:
Contractor shall test the Drilled Shaft in accordance with Special Provision for Crosshole Sonic Logging.



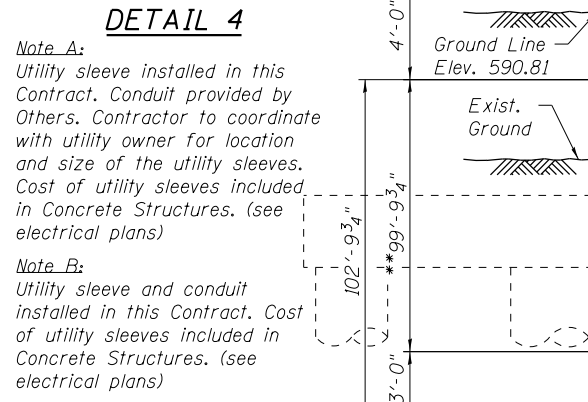
DETAIL 2

** The quantities and reinforcement detailing are based on the top of shaft and the estimated top of rock elevations shown and may change based on the actual top of rock elevations encountered at each shaft and the final top of shaft elevation.

*** Contractor may need to increase the casing thickness to withstand the installation process. The Estimated Top of Rock/Bottom of Permanent Casing Elevation is shown. The limits of casing shall be adjusted as necessary, and as approved, such that the actual installed casing length extends to the as-encountered top of rock at each shaft. See Article 516.06(d) of the Standard Specifications.



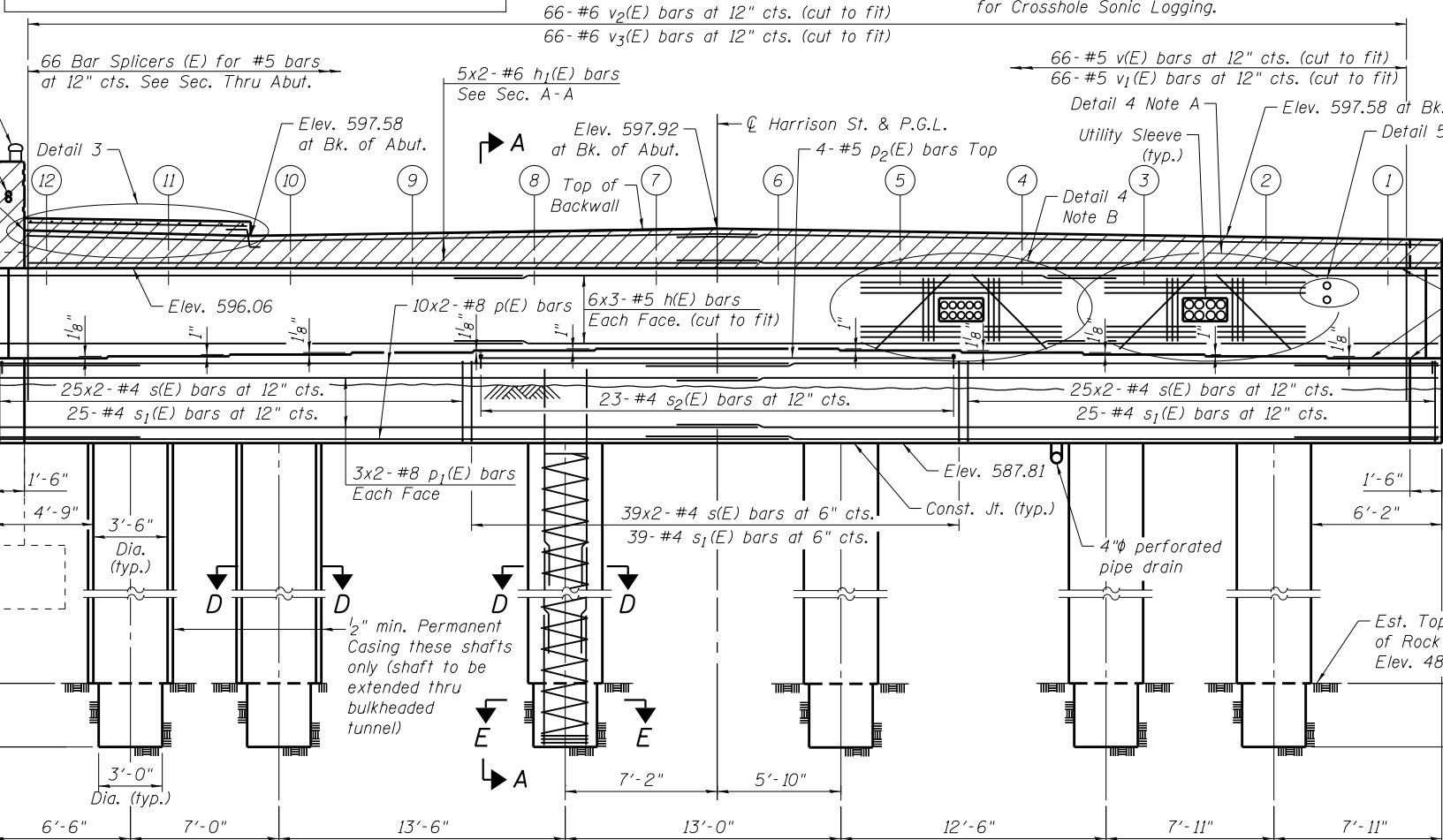
DETAIL 1



DETAIL 4

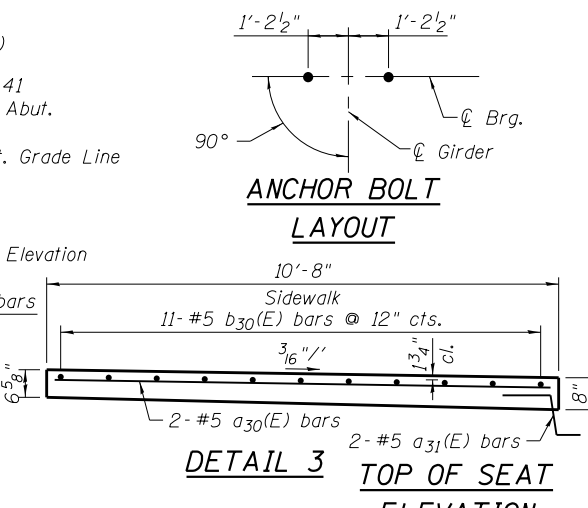
Note A:
Utility sleeve installed in this Contract. Conduit provided by Others. Contractor to coordinate with utility owner for location and size of the utility sleeves. Cost of utility sleeves included in Concrete Structures. (see electrical plans)

Note B:
Utility sleeve and conduit installed in this Contract. Cost of utility sleeves included in Concrete Structures. (see electrical plans)



ELEVATION

(Looking East. Wingwall, Cheekwall and Barrier Reinforcement not shown for clarity)



DETAIL 3 TOP OF SEAT ELEVATION

TYP. MIN. BAR LAP

(Unless Noted Otherwise)
#5 bar = 3'-3"
#6 bar = 3'-10"
#8 bar = 6'-9"

Girder No.	Seat Elevation
1	591.81
2	591.90
3	591.99
4	592.08
5	592.17
6	592.26
7	592.26
8	592.17
9	592.08
10	591.99
11	591.90
12	591.81

NOTES:

- For section views see Sheet S1-39.
- For Anchor Bolt Details see Sheet S1-32.
- Hatched area to be poured after superstructure false work has been removed. Quantity of concrete included with Concrete Superstructure.
- Bars noted thus, 3x2-#5 indicates 3 lines of bars with 2 lengths of bars per line.

0161713-60W26-S38-Abutment