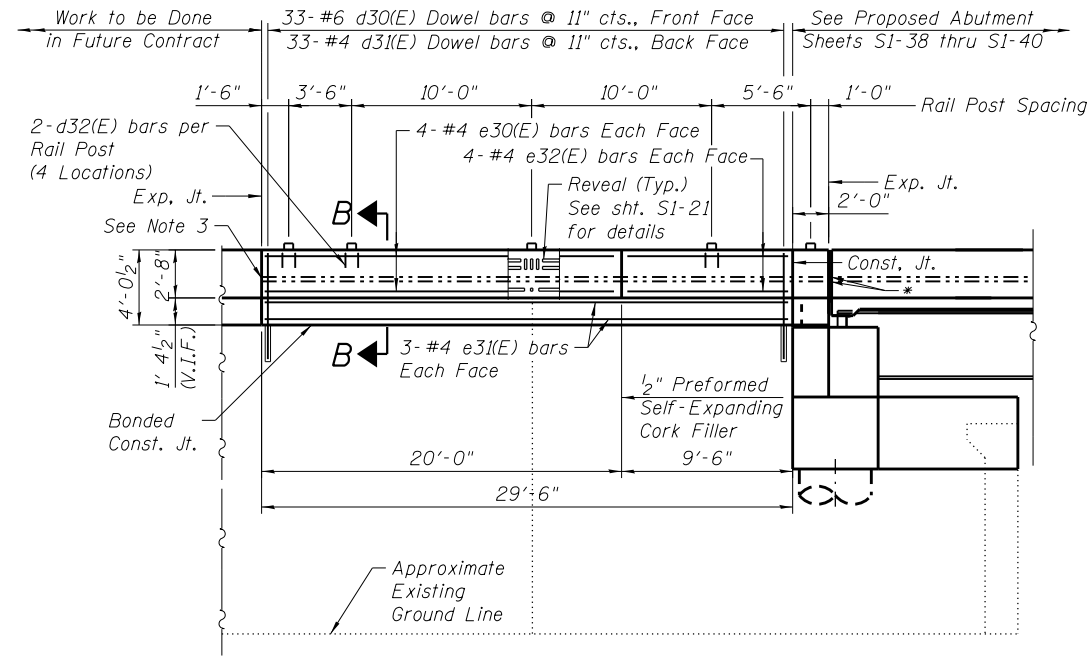


EXISTING ELEVATION
(Looking South)



PROPOSED ELEVATION
(Looking South)

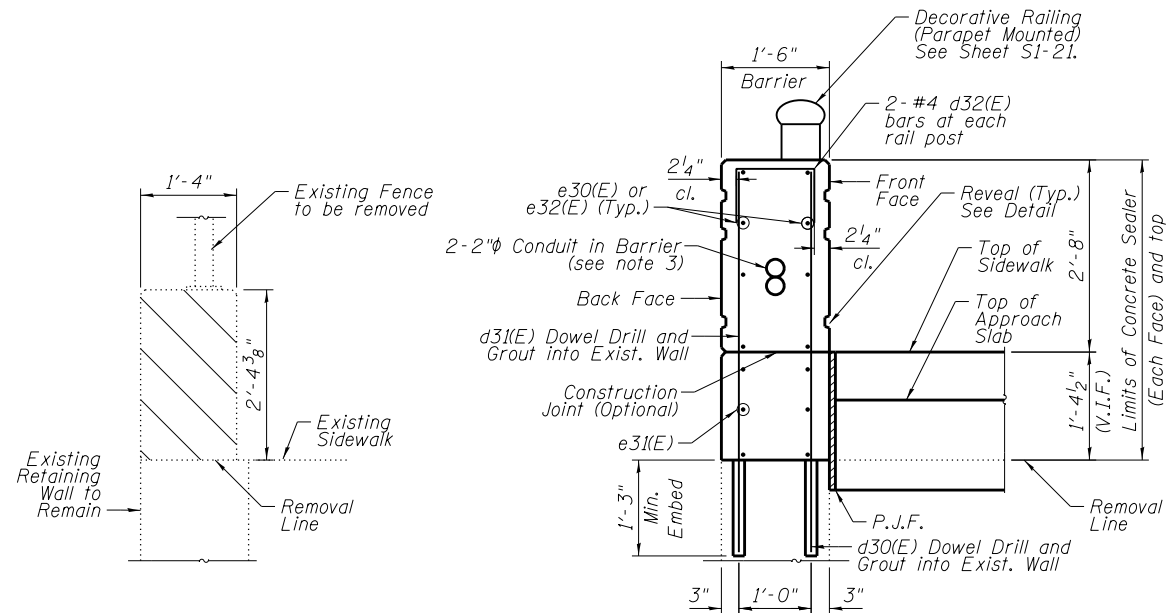
* Provide conduit expansion/deflection fitting at all expansion joints.

LEGEND:

Removal of Existing Structure (See Sheet S1-06)

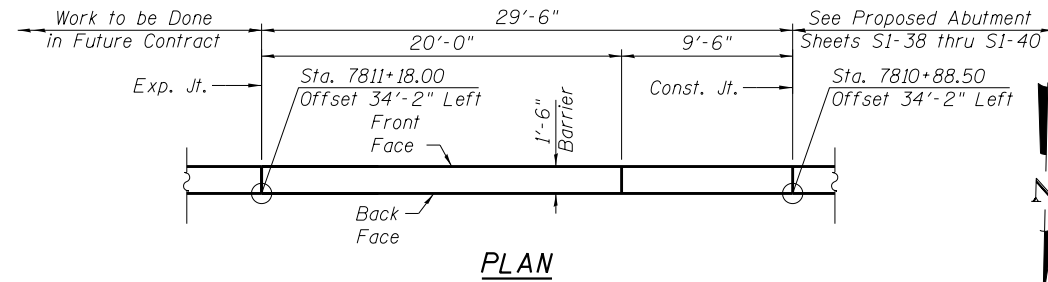
NOTES:

1. Work this sheet with sheet S1-40.
2. Drill and Grout d30(E) and d31(E) into the Concrete to 1/4" larger in dia. than the diameter of the bar used with a Minimum Depth of 15 Inches. Cost included with Reinforcement Bars, Epoxy Coated pay item. Refer to Section 584 of the Standard Specifications.
3. Embedded conduit shall be routed to the end of the new parapet wall and capped. See Lighting Plans details.

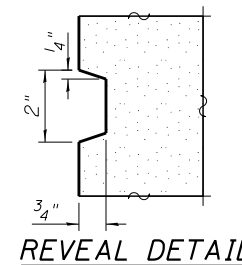


SECTION A-A

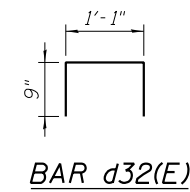
SECTION B-B



PLAN



REVEAL DETAIL



BAR d32(E)

BILL OF MATERIAL

Bar	No.	Size	Length	Shape
d30(E) Dowel	33	#6	5'-2"	—
d31(E) Dowel	33	#4	5'-2"	—
d32(E)	8	#4	2'-7"	□
e30(E)	8	#4	19'-8"	—
e31(E)	6	#4	29'-2"	—
e32(E)	8	#4	9'-2"	—
Concrete Superstructure			Cu. Yd.	7
Reinforcement Bars, Epoxy Coated			Pound	660
Concrete Sealer			Sq. Ft.	283

0161713-60W26-541-Abutment



USER NAME = dunkerleyb	DESIGNED - EJO	REVISED
PLOT SCALE = N.T.S.	CHECKED - ATB	REVISED
PLOT DATE = 9/15/2013	DRAWN - BRD	REVISED
	CHECKED - EJO	REVISED

STATE OF ILLINOIS
DEPARTMENT OF TRANSPORTATION

EAST ABUTMENT REPAIR DETAILS (2 OF 2)
STRUCTURE NO. 016-1713

SHEET NO. S1-41 OF S1-48 SHEETS

F.A.I. RTE. 90/94/290	SECTION 2013-00BR	COUNTY COOK	TOTAL SHEETS 559	SHEET NO. 291
CONTRACT NO. 60W26			ILLINOIS FED. AID PROJECT	