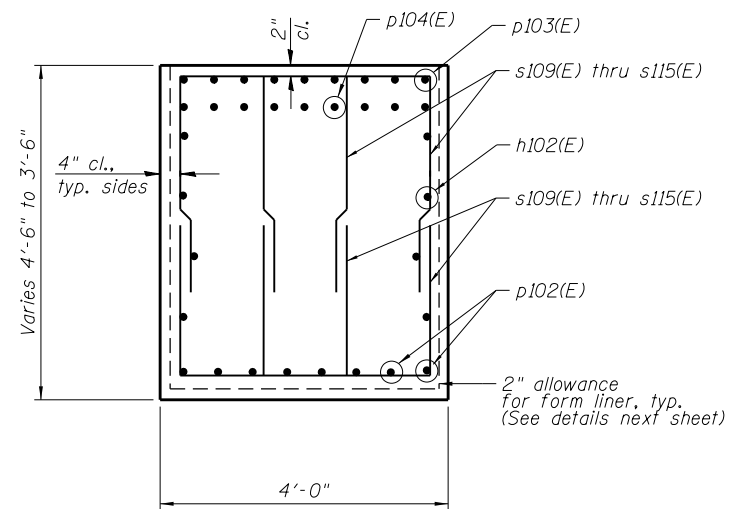
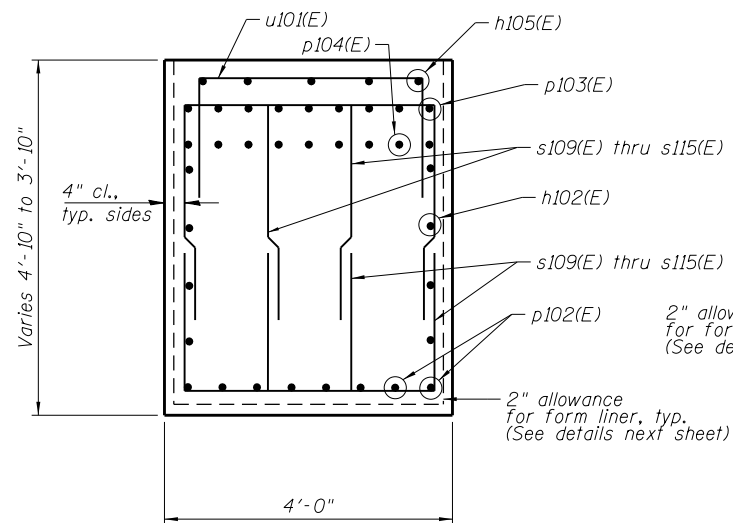


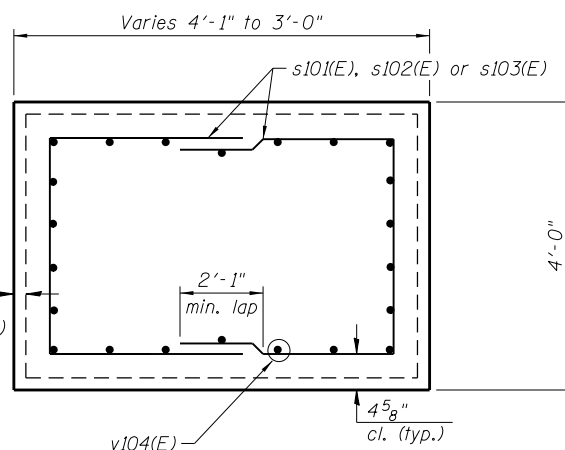
SECTION A-A



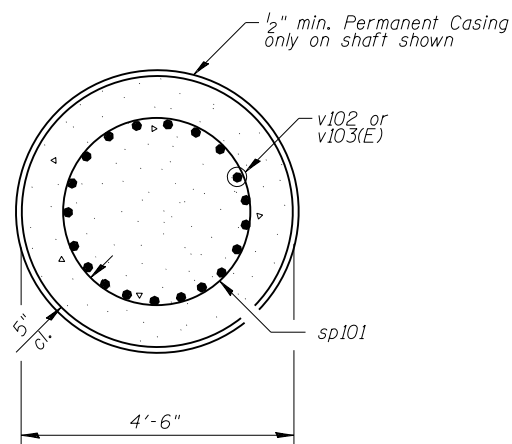
SECTION B-B



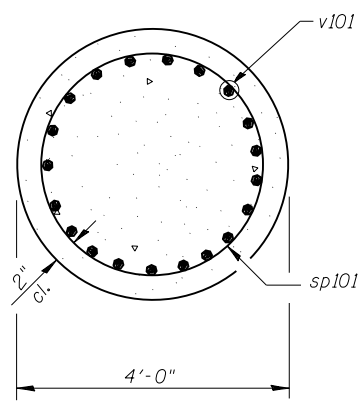
SECTION F-F



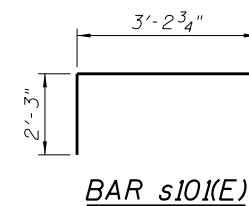
SECTION C-C



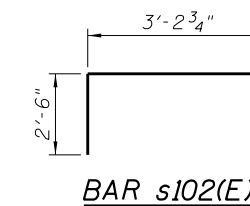
SECTION D-D



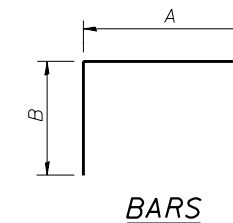
SECTION E-E



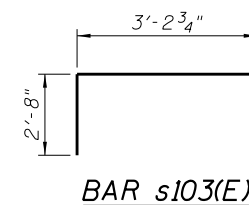
BAR s101(E)



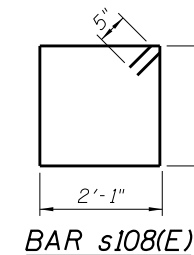
BAR s102(E)



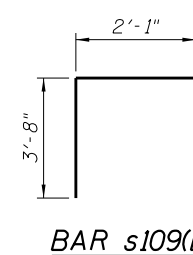
BARS



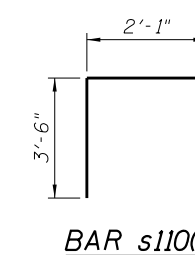
BAR s103(E)



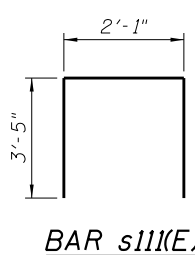
BAR s108(E)



BAR s109(E)



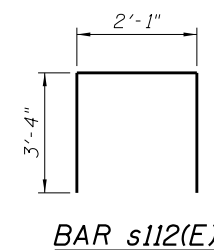
BAR s110(E)



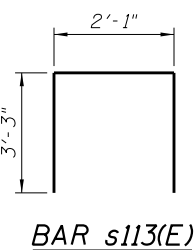
BAR s111(E)

A & B DIMENSIONS

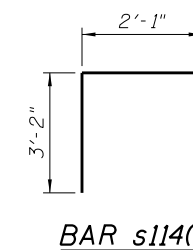
Bar	A	B
s104(E)	4'-6"	9'-2"
s105(E)	4'-6"	3'-1"
s106(E)	4'-6"	3'-1"
s107(E)	3'-4"	1'-5"



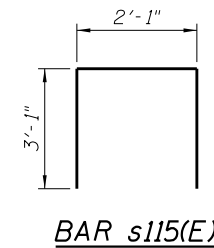
BAR s112(E)



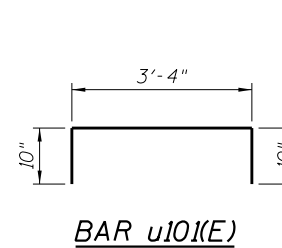
BAR s113(E)



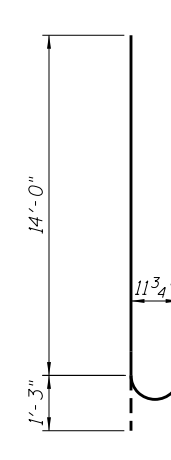
BAR s114(E)



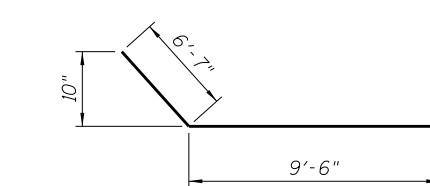
BAR s115(E)



BAR u101(E)



BAR v104(E)



BAR p102(E)

BILL OF MATERIAL

Bar	No.	Size	Length	Shape
h101(E)	48	#4	35'-11"	—
h102(E)	16	#5	40'-2"	—
h103(E)	5	#5	38'-8"	—
h104(E)	5	#5	19'-2"	—
h105(E)	5	#5	19'-0"	—
p101(E)	16	#9	35'-10"	—
p102(E)	16	#9	16'-1"	—
p103(E)	18	#10	43'-11"	—
p104(E)	18	#10	21'-9"	—
s101(E)	20	#4	7'-8 3/4"	□
s102(E)	30	#4	8'-2 3/4"	□
s103(E)	20	#4	8'-6 3/4"	□
s104(E)	142	#10	22'-10"	□
s105(E)	142	#6	10'-8"	□
s106(E)	20	#4	10'-8"	□
s107(E)	10	#6	6'-2"	□
s108(E)	382	#5	13'-4"	□
s109(E)	56	#5	9'-5"	□
s110(E)	24	#5	9'-1"	□
s111(E)	16	#5	8'-11"	□
s112(E)	16	#5	8'-9"	□
s113(E)	16	#5	8'-7"	□
s114(E)	16	#5	8'-5"	□
s115(E)	16	#5	8'-3"	□
** sp101	5	#6	90'-8"	⋈
u101(E)	79	#5	5'-0"	□
v101	100	#10	60'-0"	—
v102	100	#10	37'-9"	—
v103(E)	100	#10	17'-2"	—
v104(E)	110	#9	15'-3"	□
v105(E)	16	#10	9'-2"	—
Structure Excavation	Cu. Yd.		325	
Concrete Structures	Cu. Yd.		187	
Reinforcement Bars	Pound		73380	
Reinforcement Bars, Epoxy Coated	Pound		47920	
Permanent Casing	Foot		88	
Drilled Shaft in Soil	Cu. Yd.		258	
Drilled Shaft in Rock	Cu. Yd.		7	
Concrete Sealer	Sq. Ft.		3030	
Crosshole Sonic Logging	Each		1	

** Length is height of spiral.

0161713-60W26-S43-Pier



USER NAME = dunkerleyb
 PLOT SCALE = N.T.S.
 PLOT DATE = 9/15/2013

DESIGNED - EJO
 CHECKED - ATB
 DRAWN - BRD
 CHECKED - EJO

REVISED
 REVISED
 REVISED
 REVISED

STATE OF ILLINOIS
 DEPARTMENT OF TRANSPORTATION

PIER DETAILS
 STRUCTURE NO. 016-1713

SHEET NO. S1-43 OF S1-48 SHEETS

F.A.I. RTE.	SECTION	COUNTY	TOTAL SHEETS	SHEET NO.
90/94/290	2013-00BR	COOK	559	293
CONTRACT NO.			60W26	
ILLINOIS FED. AID PROJECT				