

FOR INFORMATION ONLY

SECTION NO.	SECTION	COUNTY	TOTAL SHEETS	SHEET NO.
90/94	COOK	COOK	79	78
FED. AID PROJ. NO. 1985-080 R				

JOINT SIZE	"C" AT 50°F	"D" AT 50°F
2"	2"	1 1/4" MIN.
2 1/2"	2 1/2"	1 1/4" MIN.
4"	3"	2 1/2" MIN.

INSTALLATION NOTES

USE ANCHOR BLOCKS AND CONTINUOUS SEAL AS ANCHOR BOLT LOCATION TEMPLATES.

- ① INSTALL SPONGE MANDRELS INTO POSITIONS SHOWN TO FORM FLAP CONVOLUTION.
- ② INSTALL PARAPET OR SIDEWALK PIECE (TRIM ROADWAY FLAP TO FIT BEFORE APPLYING EPOXY).
- ③ INSTALL CONTINUOUS SEAL IN ROADWAY.
- ④ INSTALL ANCHOR BLOCKS AS INDICATED.

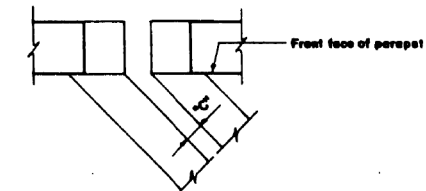
NOTE A: MAXIMUM SPACING OF ANCHOR BOLTS SHALL BE 12" CENTERS.

SKEW LIMITATIONS

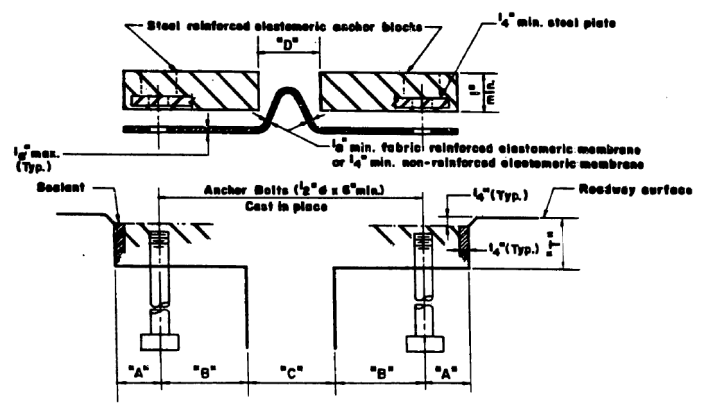
THE DETAILS OF THE ANCHOR BLOCKS AND THE ELASTOMERIC MEMBRANE IN THE PARAPET, AS SHOWN, ARE FOR UP TO 50° SKEWS.

FOR SKEWS GREATER THAN 50°, THE ANCHOR BLOCKS AND ELASTOMERIC MEMBRANE, INSTALLED IN ACCORDANCE WITH DIMENSION "D" MIGHT REQUIRE MODIFICATIONS TO INSURE A MINIMUM CLEARANCE OF 1 1/2" FROM CENTERLINE OF ANCHOR STUDS TO EDGE OF PARAPET OPENING.

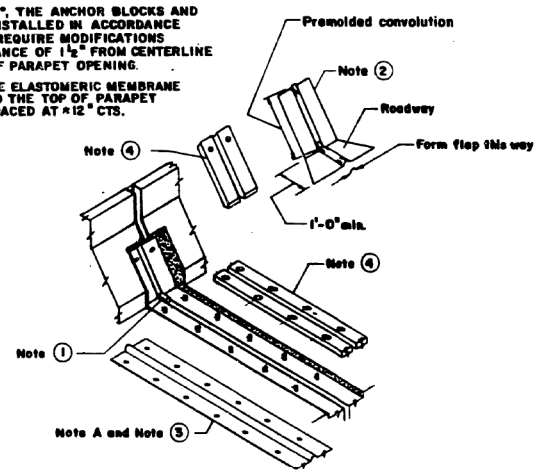
THE ANCHOR BLOCKS AND THE ELASTOMERIC MEMBRANE SHALL ALSO BE INSTALLED TO THE TOP OF PARAPET WITH THE ANCHOR STUDS SPACED AT 12" CTS.



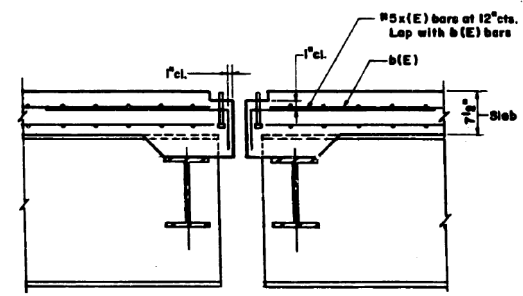
FORMING BLOCKOUT SKETCH



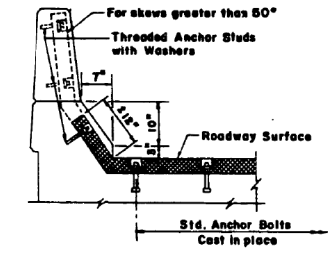
CROSS SECTION



VIEW AT PARAPET FOR FORMING



SECTION AT NEOPRENE EXPANSION JOINT



TYPICAL END TREATMENT

GENERAL NOTES

CONTINUOUS SEAL NEOPRENE EXPANSION JOINT SHALL CONSIST OF MOLDED ANCHOR BLOCKS OF ELASTOMER AND STEEL, HELD ASSEMBLED OVER CONTINUOUS LENGTHS OF ELASTOMERIC MEMBRANE. SEE SPECIAL PROVISIONS.

THE ELASTOMERIC MEMBRANE SHALL BE PREMOLDED WITH A SINGLE OR A DOUBLE UPWARD CONVOLUTION THAT WILL HAVE A "MEMORY" TO RETURN TO ITS MOLDED POSITION UPON JOINT CLOSURE.

THE STEEL REINFORCEMENT MUST EXTEND UP THE BACK FACE OF ANCHOR BLOCKS WHEN ASPHALT SURFACES ARE USED BUT IS OPTIONAL IN CONCRETE BLOCKOUT.

THE CONVOLUTION LENGTH SHALL BE SUCH THAT THE EXTENDED LENGTH WILL NOT BE GREATER THAN THE MANUFACTURED LENGTH WHEN THE JOINT IS FULLY EXPANDED IN ITS DESIGN RANGE AND WILL NOT PROTRUDE ABOVE THE ANCHOR BLOCKS WHEN THE JOINT IS FULLY COMPRESSED.

JOINT OPENINGS SHALL BE ADJUSTED IN ACCORDANCE WITH ARTICLE 603.07(c) OF THE STANDARD SPECIFICATIONS WHEN THE DECK IS POURED AT AN AMBIENT TEMPERATURE OTHER THAN 50°F.

THE PARAPET FLAPS MAY BE FURNISHED FACTORY VULCANIZED TO THE ROADWAY MEMBRANE PROVIDED THE CENTERLINE OF THE CONVOLUTION IS MAINTAINED AND THE PROCESS AND METHOD MEET THE APPROVAL OF THE ENGINEER.

ANCHOR BOLTS, WASHERS AND NUTS, TO BE PLATED AGAINST CORROSION IN ACCORDANCE WITH THE SPECIAL PROVISIONS, SHALL BE ZINC-COATED BY THE MECHANICAL PLATING METHOD CONFORMING TO ASTM B 695, CLASS 50. ZINC-COATED NUTS SHALL BE TAPPED OVERSIZE IN ACCORDANCE WITH THE REQUIREMENTS OF AASHTO M 291 AND SHALL MEET THE SUPPLEMENTARY REQUIREMENTS S1.1 THRU S1.2.1 OF THE SAME SPECIFICATIONS FOR LUBRICANT AND TESTING.

SHEET NO. 2 OF 6

REVISIONS	
Name	Date

STATE OF ILLINOIS
DEPARTMENT OF TRANSPORTATION
F.A.I. ROUTE 90/94 (DAN RYAN EXPRESSWAY)
SECTION 1985-080 R - COOK COUNTY
ROADWAY GRADING AND PAVING
MISCELLANEOUS DETAILS - ALL STRUCTURES
NEOPRENE EXPANSION JOINTS, 2", 2 1/2" & 4"
Scale: NONE
Date: AUGUST 14, 1987
Drawn By: J.R.
Checked By: M.M.
DHWRODNE ENGINEERS INC.
Chicago, Illinois

FILE PATH = C:\Project\19-0820 - Circle 60W26 As-Built\Final\0160W26-sht-AS-BUILT-12.dgn

D160W26-sht-AS-BUILT-12.dgn	DESIGNED -	REVISED -
USER NAME = auyeungh	DRAWN -	REVISED -
PLOT SCALE = 1:0000' / in.	CHECKED -	REVISED -
PLOT DATE = 8/16/2013	DATE = 07/15/13	REVISED -

STATE OF ILLINOIS
DEPARTMENT OF TRANSPORTATION

EXISTING AS-BUILTS SN 016-1087

SCALE: NTS SHEET AS-12 OF AS-62 SHEETS STA. TO STA.

F.A.I. RTE.	SECTION	COUNTY	TOTAL SHEETS	SHEET NO.
90/94/290	2013-008R	COOK	559	310
CONTRACT NO. 60W26				
ILLINOIS FED. AID PROJECT				