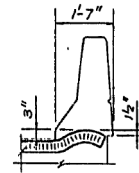
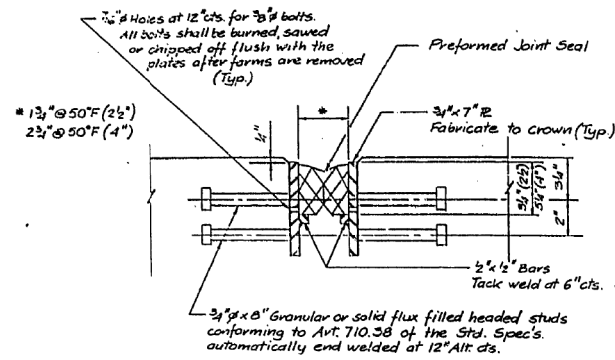


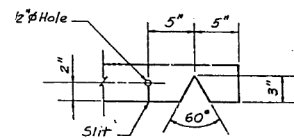
FOR INFORMATION ONLY

FED. AID DIST. NO.	SECTION	COUNTY	TOTAL SHEETS	SHEET NO.
90/94	8	COOK	79	76
TO STA.				
FED. AID DIST. NO.	ILLINOIS	FED. AID PROJECT		
* 1085-080 R				

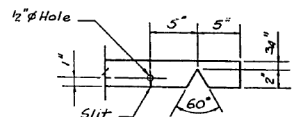


TYPICAL END OF SEAL TREATMENT

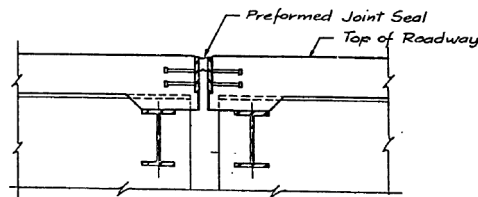
TYPICAL CROSS SECTION



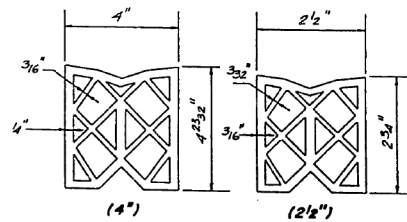
SEAL CUT-OUT (4")



SEAL CUT-OUT (2 1/2")



SECTION AT PREFORMED SEAL JOINT



PREFORMED JOINT SEAL

Note:
Joint openings shall be adjusted in accordance with Article 503.07(c) of the Standard Specifications when the deck is poured at an ambient temperature other than 50°F.

⊖ Section Deleted

SHEET MD 3 OF 8

REVISIONS	
Name	Date
ⓐ Revision	4-22-88

STATE OF ILLINOIS
DEPARTMENT OF TRANSPORTATION
F.A.I. ROUTE 90/94 (DAN RYAN EXPRESSWAY)
SECTION 1985-080 R - COOK COUNTY
ROADWAY GRAVING AND PAVING
MISCELLANEOUS DETAILS - ALL STRUCTURES
PREFORMED JOINT SEAL 2 1/2" & 4"
Scale: NONE
Date: AUGUST 14, 1987
Drawn By: J.R.
Checked By: M.M.
ENVIRONMENTAL ENGINEERS INC.
Chicago, Illinois

FILE PATH = C:\Project\ase\19-0820 - Circle 60W26 As-Built\Final\0160W26-sht-AS-BUILT-13.dgn

DESIGNED -	REVISOR -
DRAWN -	REVISION -
CHECKED -	REVISION -
DATE - 07/15/13	REVISION -

STATE OF ILLINOIS
DEPARTMENT OF TRANSPORTATION

EXISTING AS-BUILTS SN 016-1087

SCALE: NTS SHEET AS-13 OF AS-62 SHEETS STA. TO STA.

F.A.I. RTE.	SECTION	COUNTY	TOTAL SHEETS	SHEET NO.
90/94/290	2013-008R	COOK	559	311
CONTRACT NO. 60W26				
ILLINOIS FED. AID PROJECT				