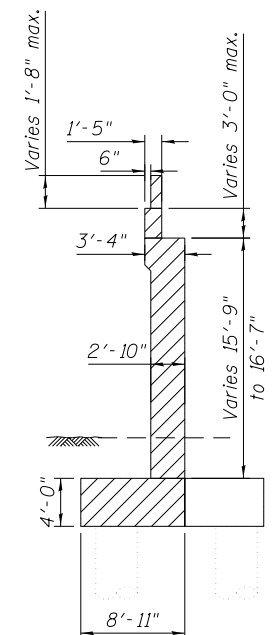
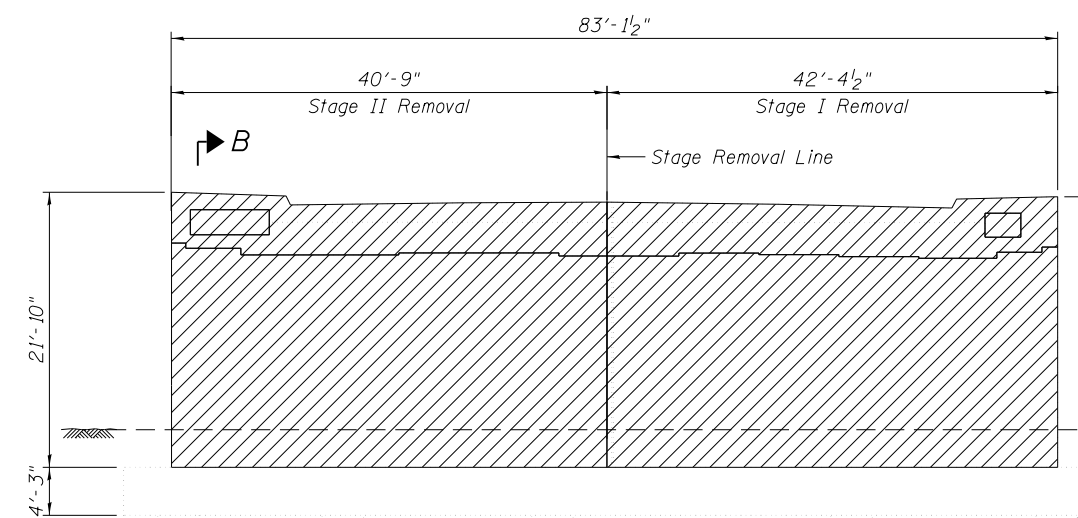


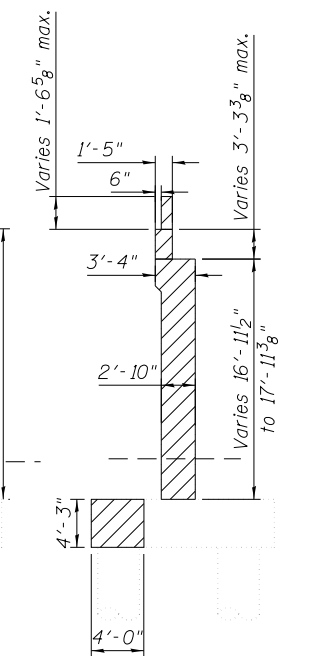
SOUTH ABUTMENT ELEVATION
(Looking South)



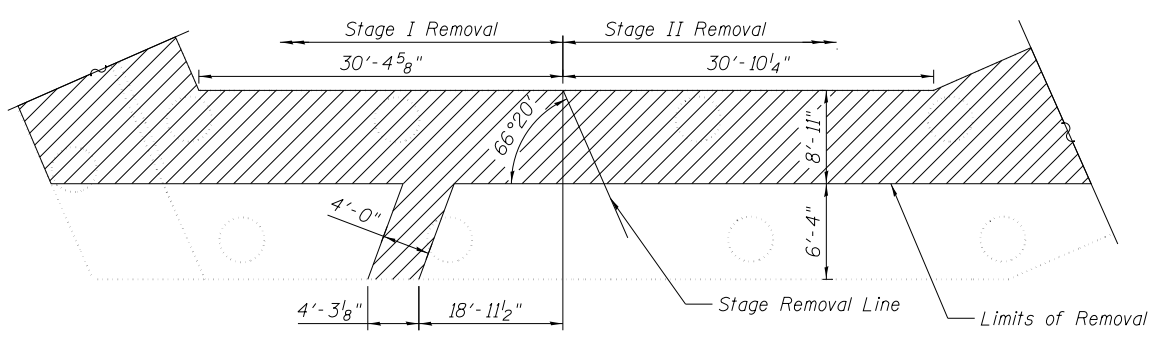
SECTION A-A



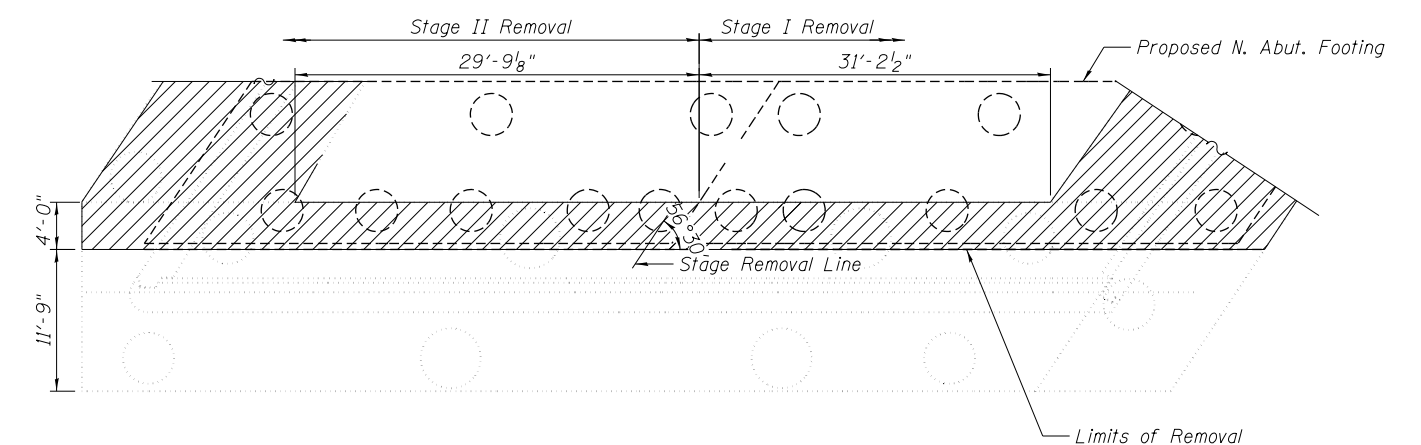
NORTH ABUTMENT ELEVATION
(Looking North)



SECTION B-B



SOUTH ABUTMENT FOUNDATION PLAN



NORTH ABUTMENT FOUNDATION PLAN

LEGEND:

Removal of Existing Structures No. 2

4:32:33 PM 0161716-60W26-S013-Removal_Detail2.dgn



USER NAME = rlschultz	DESIGNED - KAH	REVISED
	CHECKED - JRM/MDS	REVISED
PLOT SCALE = 8:0 '4" / 1"	DRAWN - KAH	REVISED
PLOT DATE = 9/15/2013	CHECKED - JRM/MDS	REVISED

STATE OF ILLINOIS
DEPARTMENT OF TRANSPORTATION

EXISTING STRUCTURE REMOVAL DETAILS 2
STRUCTURE NO. 016-1716

SHEET NO. S2-13 OF S2-81 SHEETS

F.A.U. RTE.	SECTION	COUNTY	TOTAL SHEETS	SHEET NO.
3730	2013-008R	COOK	559	373
CONTRACT NO.			60W26	
ILLINOIS FED. AID PROJECT				