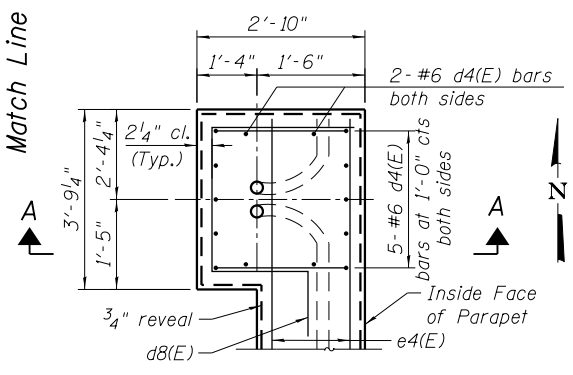
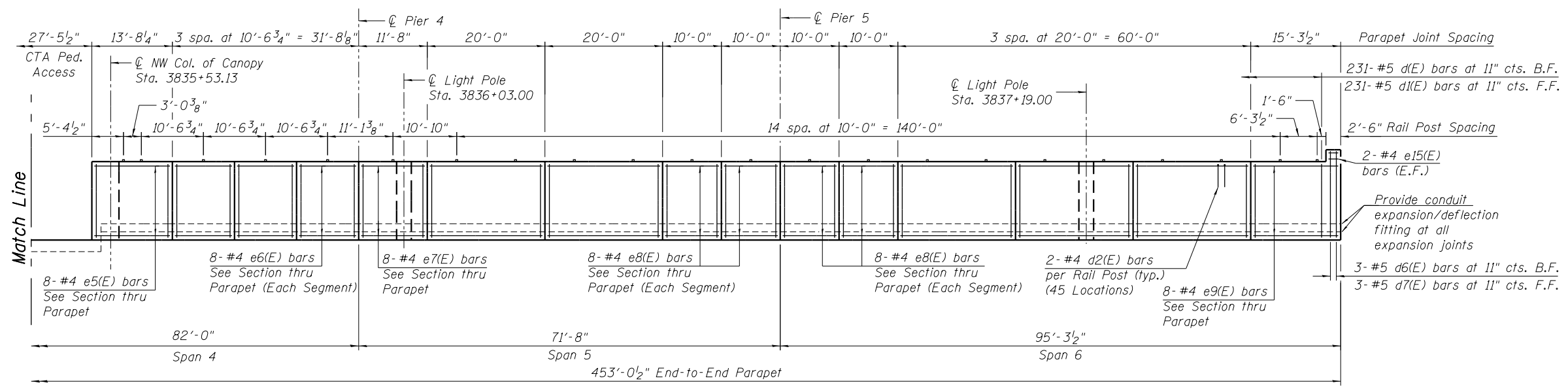


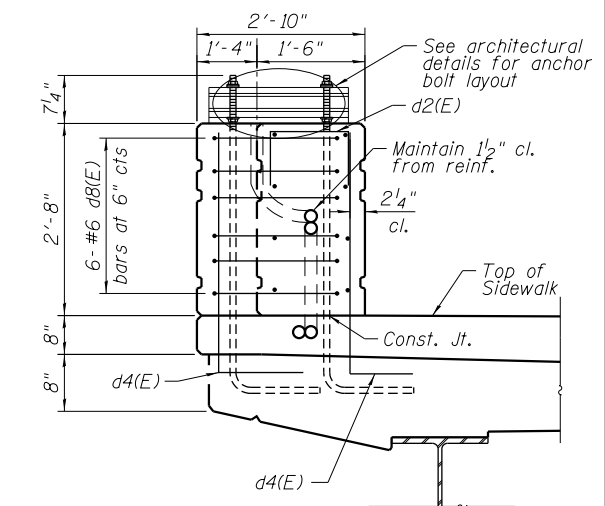
INSIDE ELEVATION OF WEST PARAPET
(Looking West)



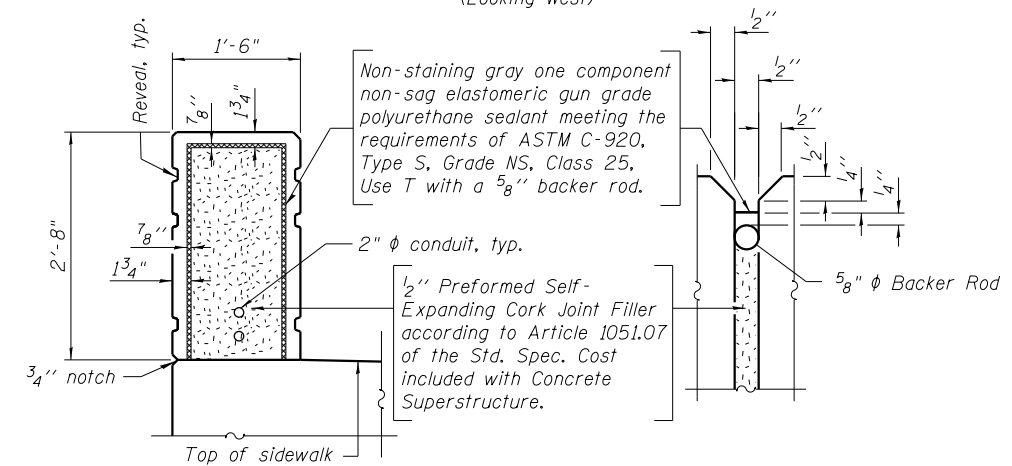
PARAPET DETAIL AT SOUTHWEST CANOPY COLUMN



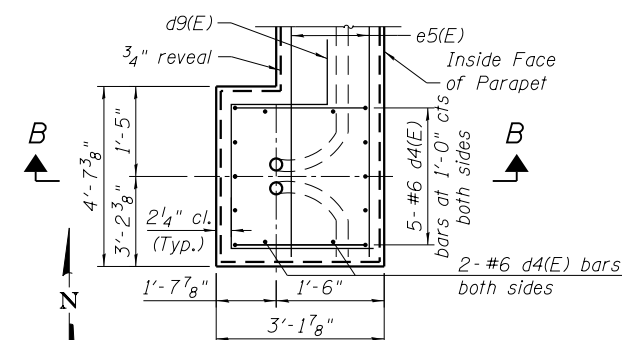
INSIDE ELEVATION OF WEST PARAPET
(Looking West)



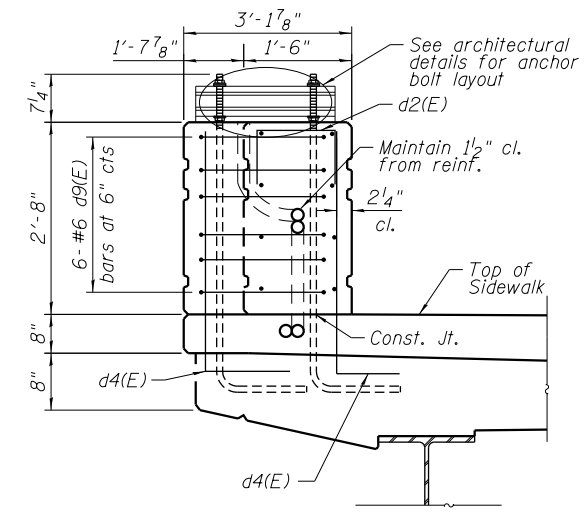
SECTION A-A



PARAPET JOINT DETAILS



PARAPET DETAIL AT NORTHWEST CANOPY COLUMN



SECTION B-B

Notes:
 For notes, bar diagrams, section through parapet and bill of material, see Sheet S2-30 of S2-81.
 All edges shall be chamfered 3/4".
 For architectural details on the parapets and Decorative Railing (Parapet Mounted) details, see Sheet S2-36 of S2-81.
 For Bridge Fence Railing (Special) details, see Sheet S2-37 of S2-81.
 For Bridge Fence Railing (Special) layout and post spacing, see Sheet S2-38 of S2-81.
 For parapet detail at lightpole and anchor rod details, see Sheet S2-33 of S2-81.
 The cost of reveal is included in cost of Concrete Superstructure.

4:32:58 PM 0161716-60W26-S032-Parapet_West.dgn



USER NAME = rlschultz	DESIGNED - WJC	REVISED
CHECKED - DL	REVISOR - DL	REVISED
PLOT SCALE = 0:1.0000 ' = 1/8" / in.	DRAWN - WJC	REVISED
PLOT DATE = 9/15/2013	CHECKED - DL	REVISED

STATE OF ILLINOIS
DEPARTMENT OF TRANSPORTATION

WEST PARAPET ELEVATION AND DETAILS
STRUCTURE NO. 016-1716

SHEET NO. S2-32 OF S2-81 SHEETS

F.A.U. R.T.E. 3730	SECTION 2013-008R	COUNTY COOK	TOTAL SHEETS 559	SHEET NO. 392
CONTRACT NO. 60W26			ILLINOIS FED. AID PROJECT	