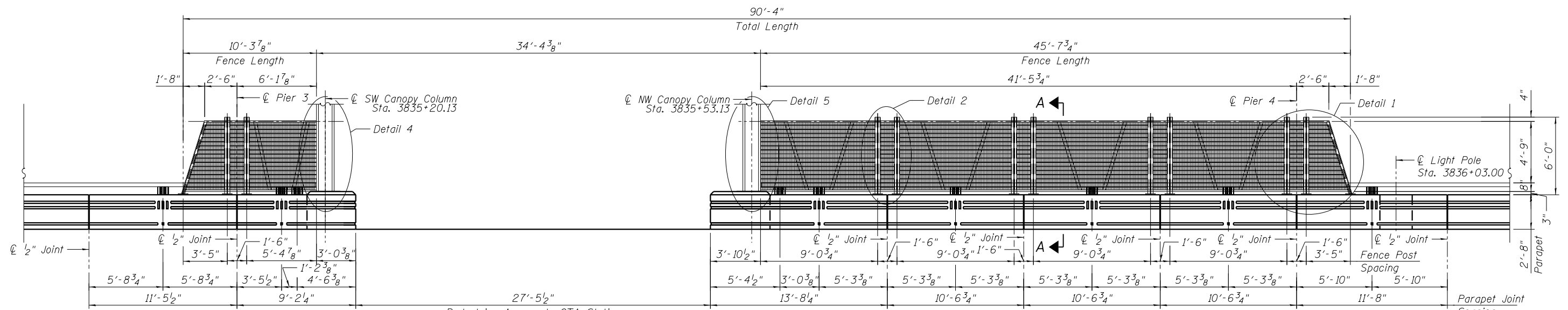
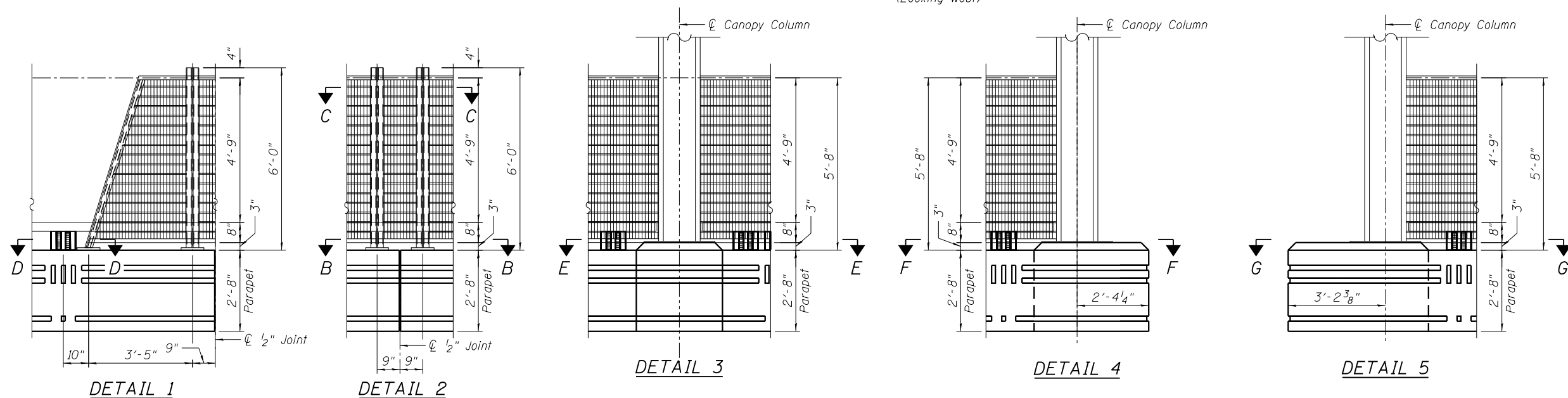


INSIDE ELEVATION OF EAST FENCE
(Looking East)



INSIDE ELEVATION OF WEST FENCE
(Looking West)



Note:
For Section A-A thru G-G,
see Sheet S2-37 of S2-81.

4:33:07 PM 0161716-60W26-S038-Railing_FenElevations.dgn



USER NAME = rlschultz	DESIGNED - WJC	REVISED
PLOT SCALE = 4:0.0000 ' / in.	CHECKED - MDS	REVISED
PLOT DATE = 9/15/2013	DRAWN - WJC	REVISED
	CHECKED - MDS	REVISED

STATE OF ILLINOIS
DEPARTMENT OF TRANSPORTATION

BRIDGE FENCE RAILING ELEVATIONS
STRUCTURE NO. 016-1716

SHEET NO. S2-38 OF S2-81 SHEETS

F.A.U. RT.E.	SECTION	COUNTY	TOTAL SHEETS	SHEET NO.
3730	2013-008R	COOK	559	398
CONTRACT NO.			60W26	
ILLINOIS FED. AID PROJECT				