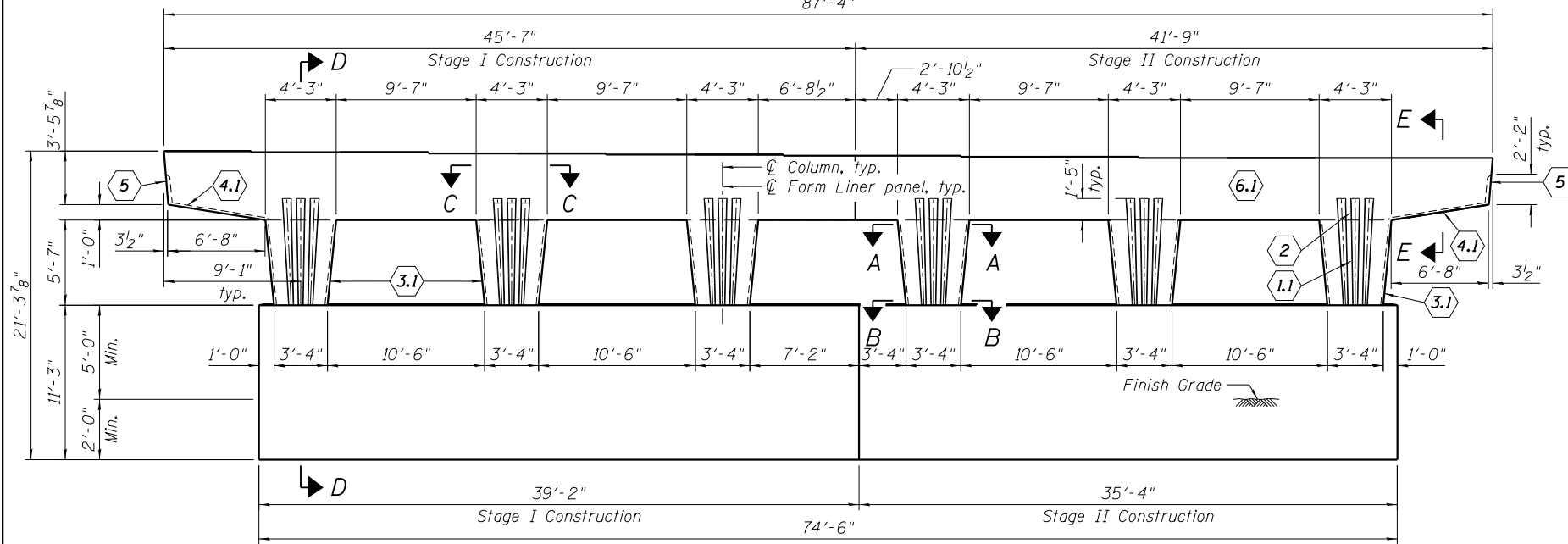
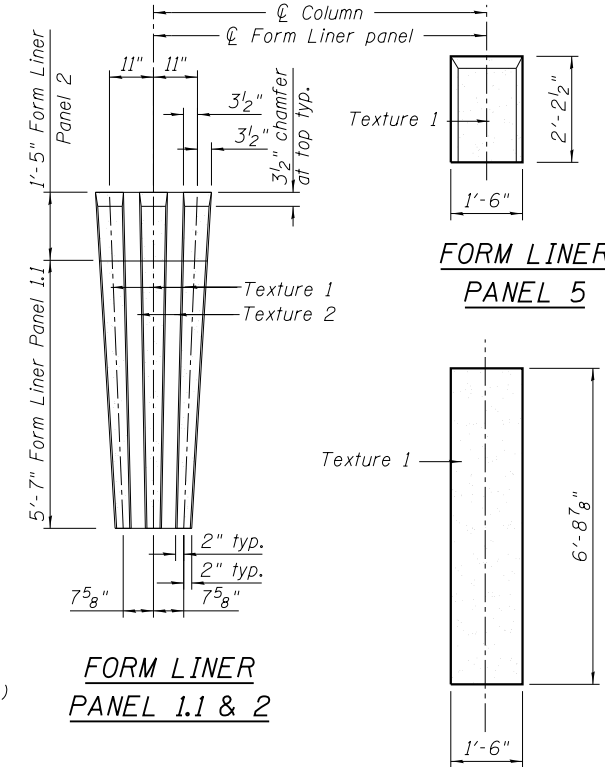


PIER ELEVATION
(Looking North)

PIER END VIEW
(Looking East)
(Looking West - Sim.)

Looking East
Looking West - Sim.
C Brg.

FORM LINER
PANEL 1.1 & 2

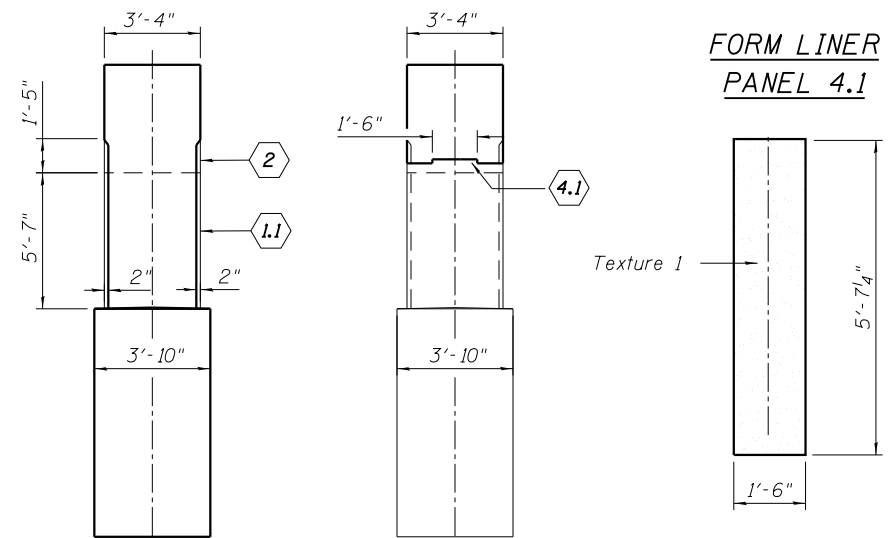


PIER ELEVATION
(Looking South)

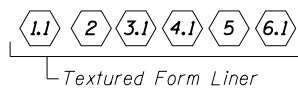
SECTION D-D

SECTION E-E

FORM LINER
PANEL 3.1



LEGEND

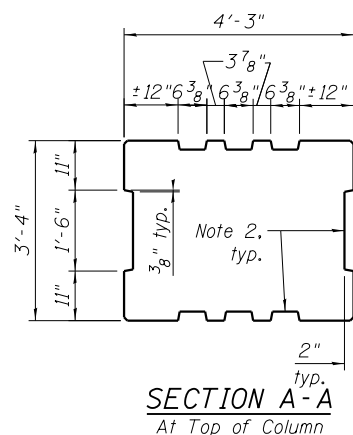


Notes:

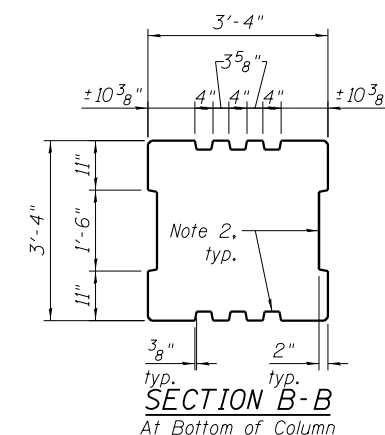
- Alternate: For surface indicated as Textured Form Liner (6.1), Contractor can chose to build large protrusion directly into these forms if a smooth uniform surface can be provided.
- Tapered fluting - dimensions vary, see elevation profile.
- Form liner panel (2) is continuation of panel (1.1). Keep adjacent form liners aligned.
- Hand clean and smooth the surface of the construction joint between the pier and cap.
- Texture 1: Light Sandblast as selected from manufacturer's standard pattern selection. Texture 2: Smooth

BILL OF MATERIAL

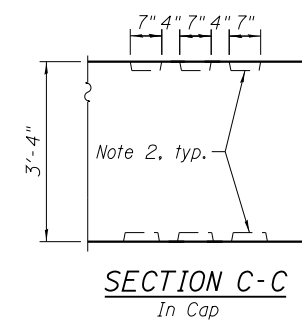
Item	Unit	Total
Form Liner Textured Surface	Sq. Ft.	603



SECTION A-A
At Top of Column



SECTION B-B
At Bottom of Column



SECTION C-C
In Cap

4/3/14 4:48 PM 0161716-60W26-S060-Pier.dgn



USER NAME = rlschultz	DESIGNED - JRM	REVISED
PLOT SCALE = 5/4.0006 ' / in.	CHECKED - MDS	REVISED
PLOT DATE = 9/15/2013	DRAWN - RLS	REVISED
	CHECKED - MDS	REVISED

STATE OF ILLINOIS
DEPARTMENT OF TRANSPORTATION

PIER 1 ARCHITECTURAL DETAILS
STRUCTURE NO. 016-1716

SHEET NO. S2-60 OF S2-81 SHEETS

F.A.U. RE.	SECTION	COUNTY	TOTAL SHEETS	SHEET NO.
3730	2013-008R	COOK	559	420
CONTRACT NO.			60W26	
ILLINOIS FED. AID PROJECT				