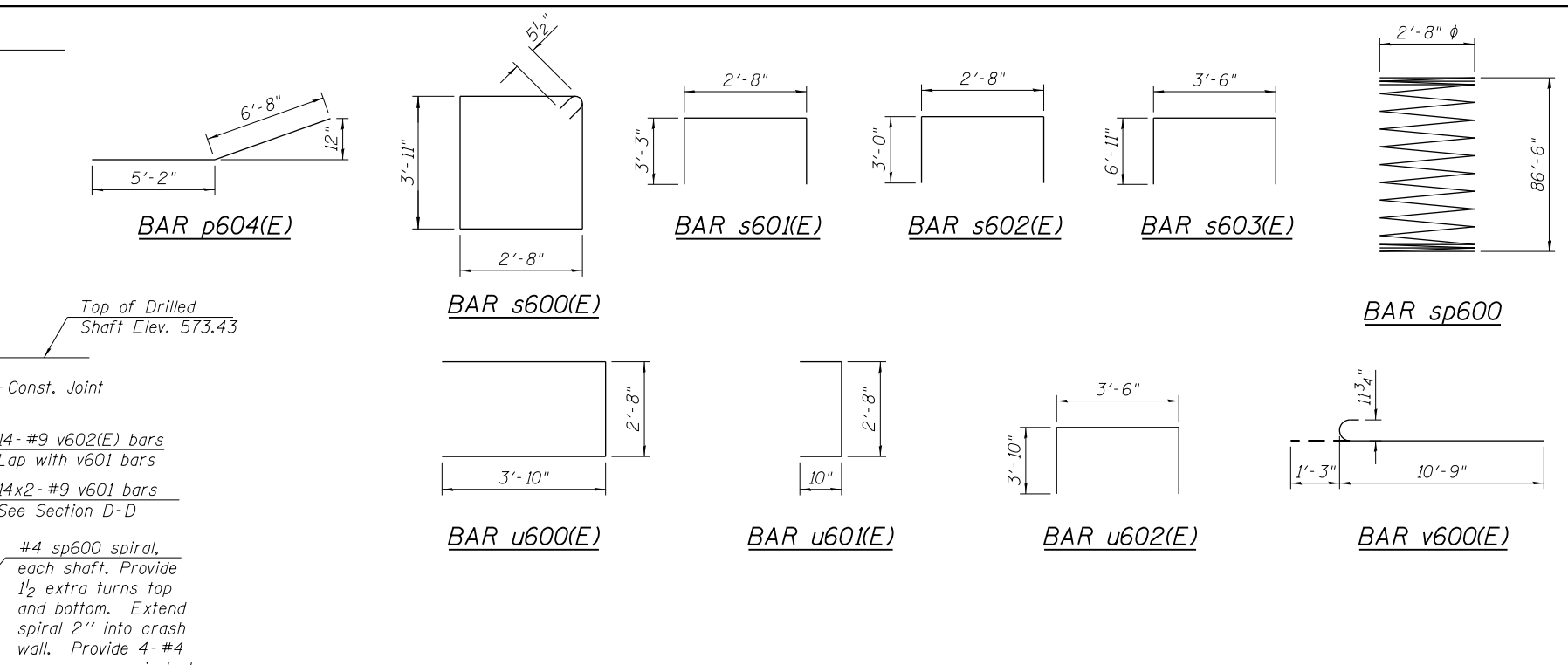
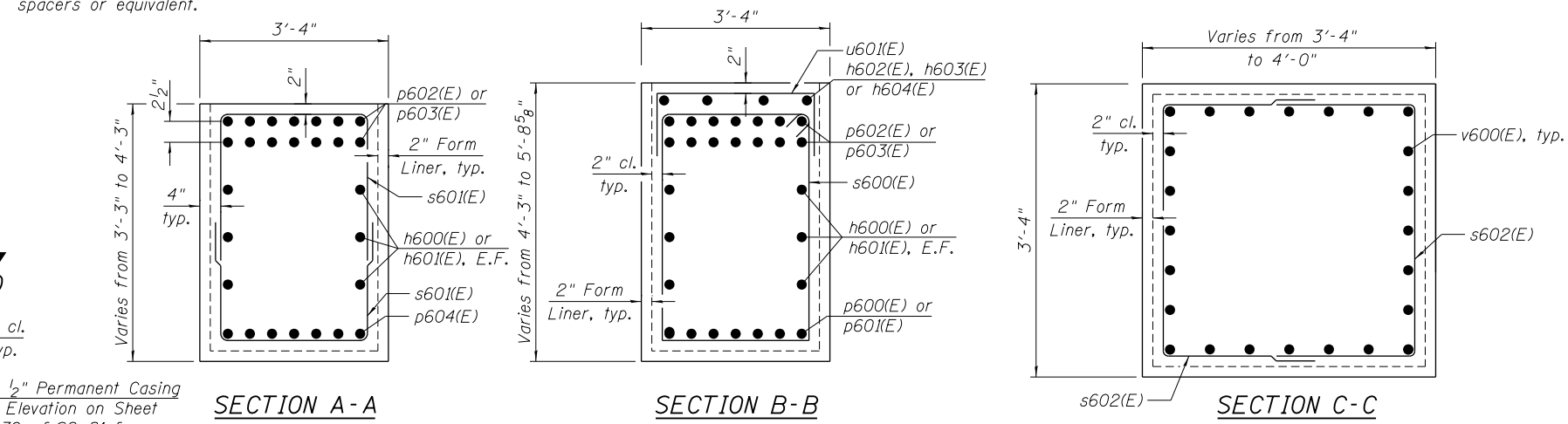
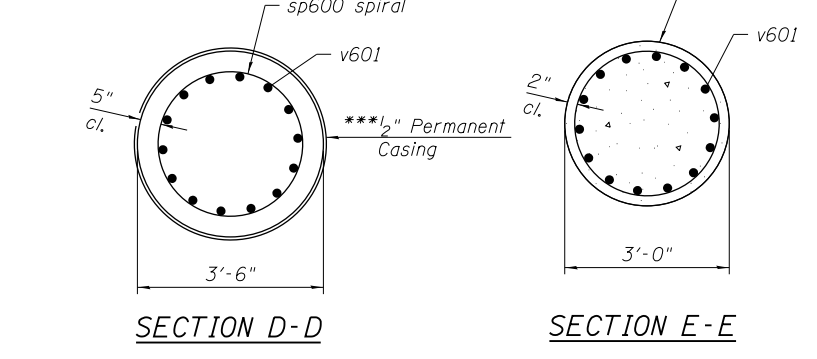
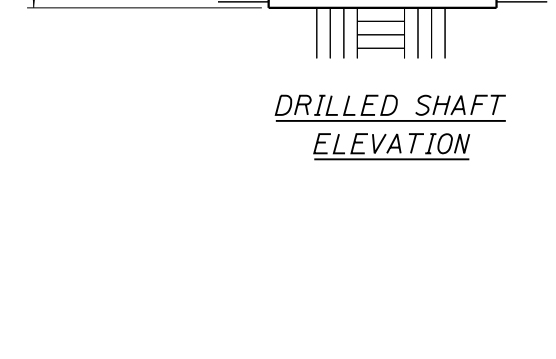
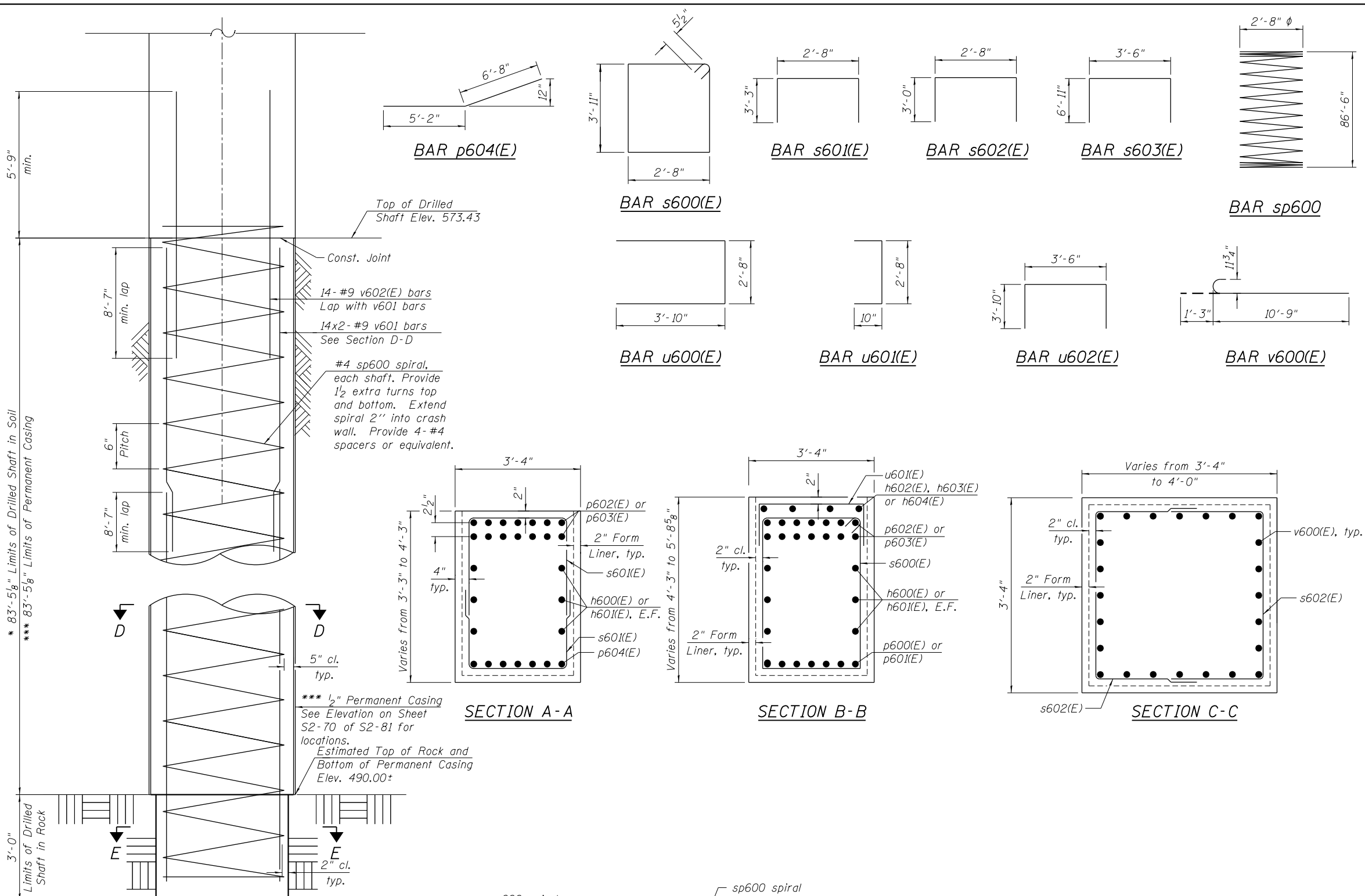


BILL OF MATERIAL

Bar	No.	Size	Length	Shape
h600(E)	6	#5	38'-11"	—
h601(E)	6	#5	35'-7"	—
h602(E)	8	#5	19'-8"	—
h603(E)	4	#5	7'-5"	—
h604(E)	4	#5	10'-8"	—
h605(E)	13	#7	32'-11"	—
h606(E)	13	#7	29'-7"	—
h607(E)	18	#5	32'-11"	—
h608(E)	18	#5	29'-7"	—
p600(E)	7	#7	32'-3"	—
p601(E)	7	#7	28'-11"	—
p602(E)	14	#10	39'-1"	—
p603(E)	14	#10	35'-9"	—
p604(E)	14	#7	11'-10"	—
s600(E)	137	#5	14'-1"	□
s601(E)	64	#5	9'-2"	□
s602(E)	60	#4	8'-8"	□
s603(E)	256	#6	17'-4"	□
sp600	8	#4	86'-6"	≡
u600(E)	12	#6	10'-4"	□
u601(E)	61	#5	4'-4"	□
u602(E)	22	#6	11'-2"	□
v600(E)	144	#9	12'-0"	⌋
v601	224	#9	47'-4"	—
v602(E)	112	#9	14'-6"	—
Structure Excavation			Cu. Yd.	77
Concrete Structures			Cu. Yd.	148.5
Reinforcement Bars			Pound	43,810
Reinforcement Bars, Epoxy Coated			Pound	31,130
Permanent Casing			Foot	167
Drilled Shaft in Soil			Cu. Yd.	237.9
Drilled Shaft in Rock			Cu. Yd.	6.3
Concrete Sealer			Sq. Ft.	3183



Bar	Lap
#4	2'-7"
#5	3'-3"
#6	3'-10"
#7	5'-2"
#8	6'-9"
#9	8'-7"

Notes:
 Apply concrete sealer to all exposed concrete surfaces of the pier.
 * The quantities and reinforcement detailing are based on the top of shaft and the estimated top of rock elevations shown and may change based on the actual top of rock encountered at each shaft and the final top of shaft elevation.
 ** Length is height of spiral.
 *** Contractor may need to increase the casing thickness to withstand the installation process. The Estimated Top of Rock/Bottom of Permanent Casing Elevation is shown. The limits of casing shall be adjusted as necessary, and as approved, such that the actual installed casing length extends to the as-encountered top of rock at each shaft. See Article 516.06(d) of the Standard Specifications.

4/3/13 4:03 PM 0161716-60W26-S071-Pier5_Details.cgn



USER NAME = rlschultz	DESIGNED - JRM	REVISED
CHECKED - MDS	REVISOR	
PLOT SCALE = 0:1.0000 ' / in.	DRAWN - RLS	REVISOR
PLOT DATE = 9/15/2013	CHECKED - JRM	REVISOR

**STATE OF ILLINOIS
DEPARTMENT OF TRANSPORTATION**

**PIER 5 DETAILS
STRUCTURE NO. 016-1716**

SHEET NO. S2-71 OF S2-81 SHEETS

F.A.U. RTE.	SECTION	COUNTY	TOTAL SHEETS	SHEET NO.
3730	2013-008R	COOK	559	431
CONTRACT NO.			60W26	
ILLINOIS FED. AID PROJECT				