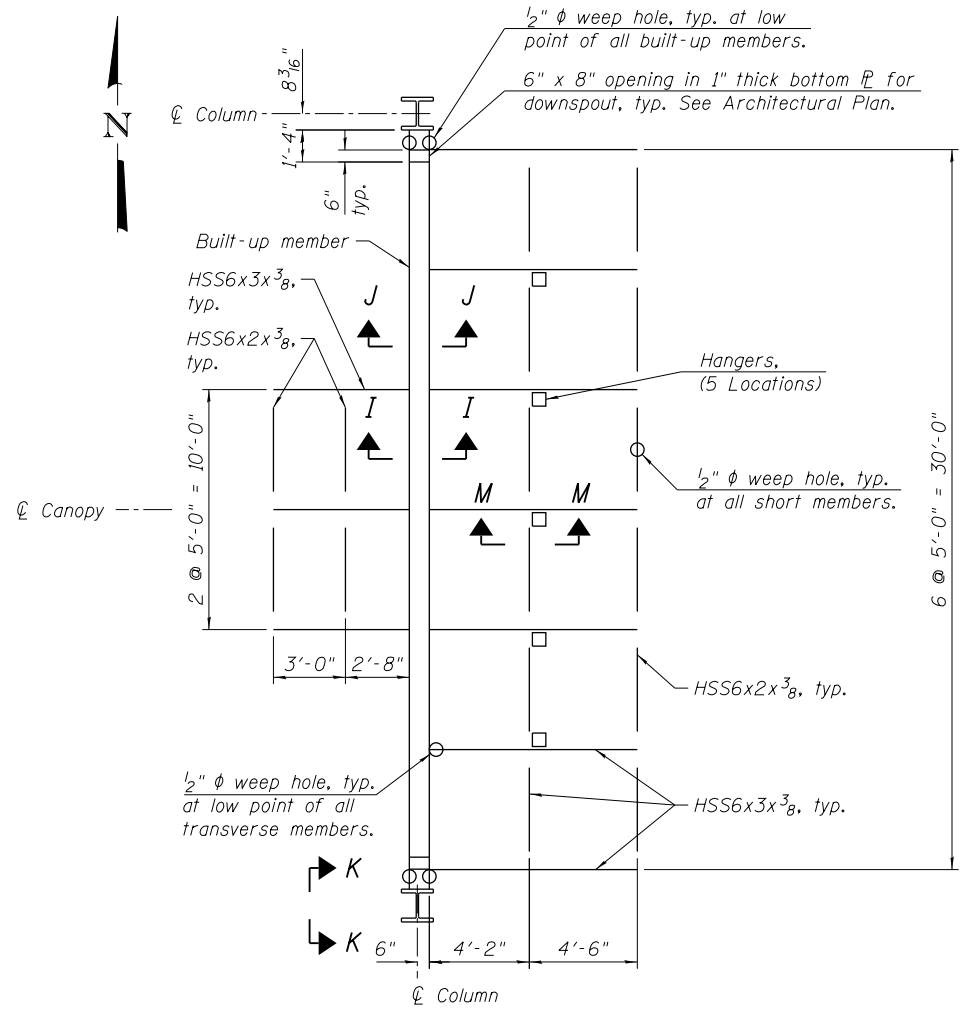
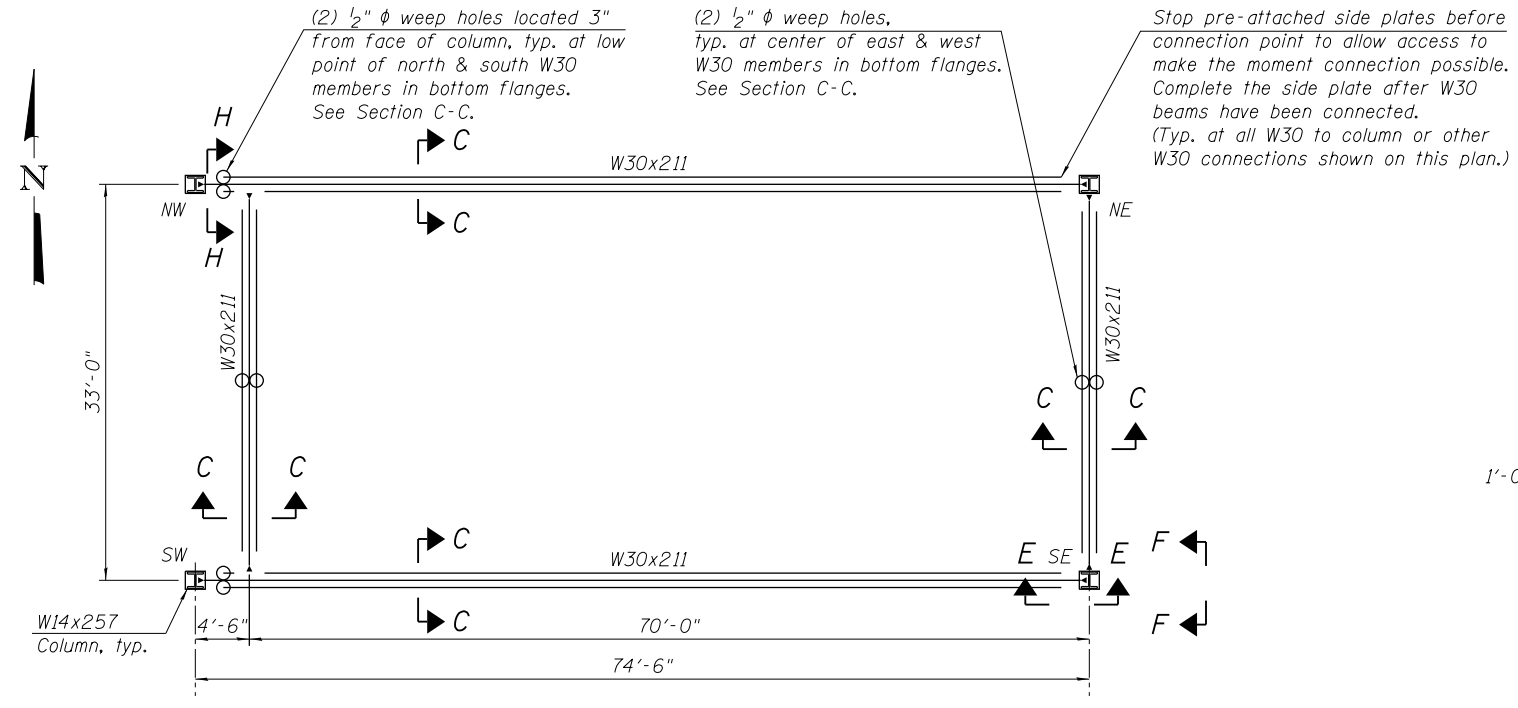


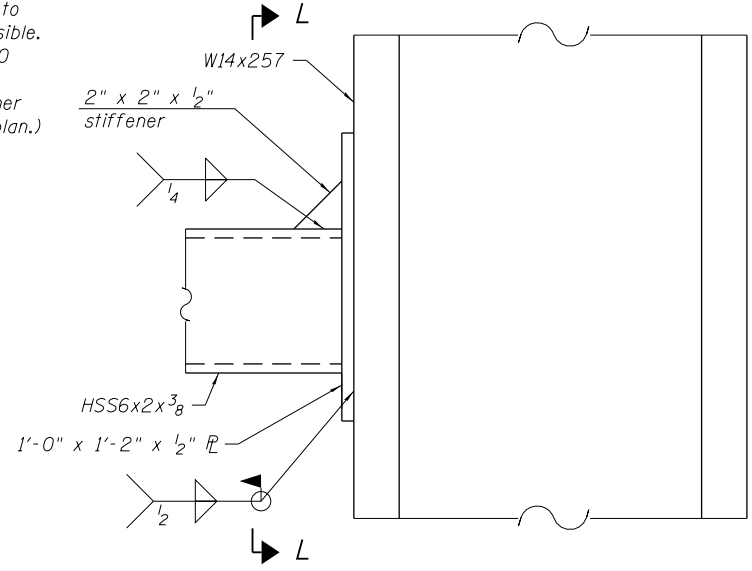
UPPER CANOPY TRELLIS FRAMING PLAN



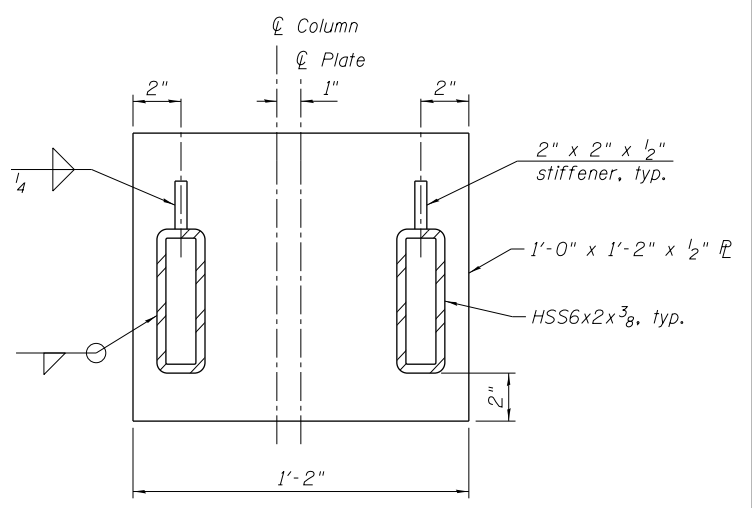
ENLARGED LOWER CANOPY FRAMING PLAN



UPPER CANOPY STEEL FRAMING PLAN



SECTION K-K



SECTION L-L

NOTES:  
REFER TO SHEET 4 OF 11 FOR SECTION A-A THROUGH SECTION M-M.

10:30:46 AM 0161716-60W26-A002-CanopyFramingPlan.dgn



USER NAME = BAWIort	DESIGNED - ENH	REVISED
PLOT SCALE = 8:0 '4" / 1in.	CHECKED - HKB	REVISED
PLOT DATE = 9/15/2013	DRAWN - CD	REVISED
	CHECKED - HKB	REVISED

STATE OF ILLINOIS  
DEPARTMENT OF TRANSPORTATION

PEDESTRIAN CANOPY FRAMING PLAN  
STRUCTURE NO. 016-1716

SHEET NO. 2 OF 11 SHEETS

F.A.U. R.E. 3730	SECTION 2013-008R	COUNTY COOK	TOTAL SHEETS 559	SHEET NO. 443
CONTRACT NO. 60W26			ILLINOIS FED. AID PROJECT	