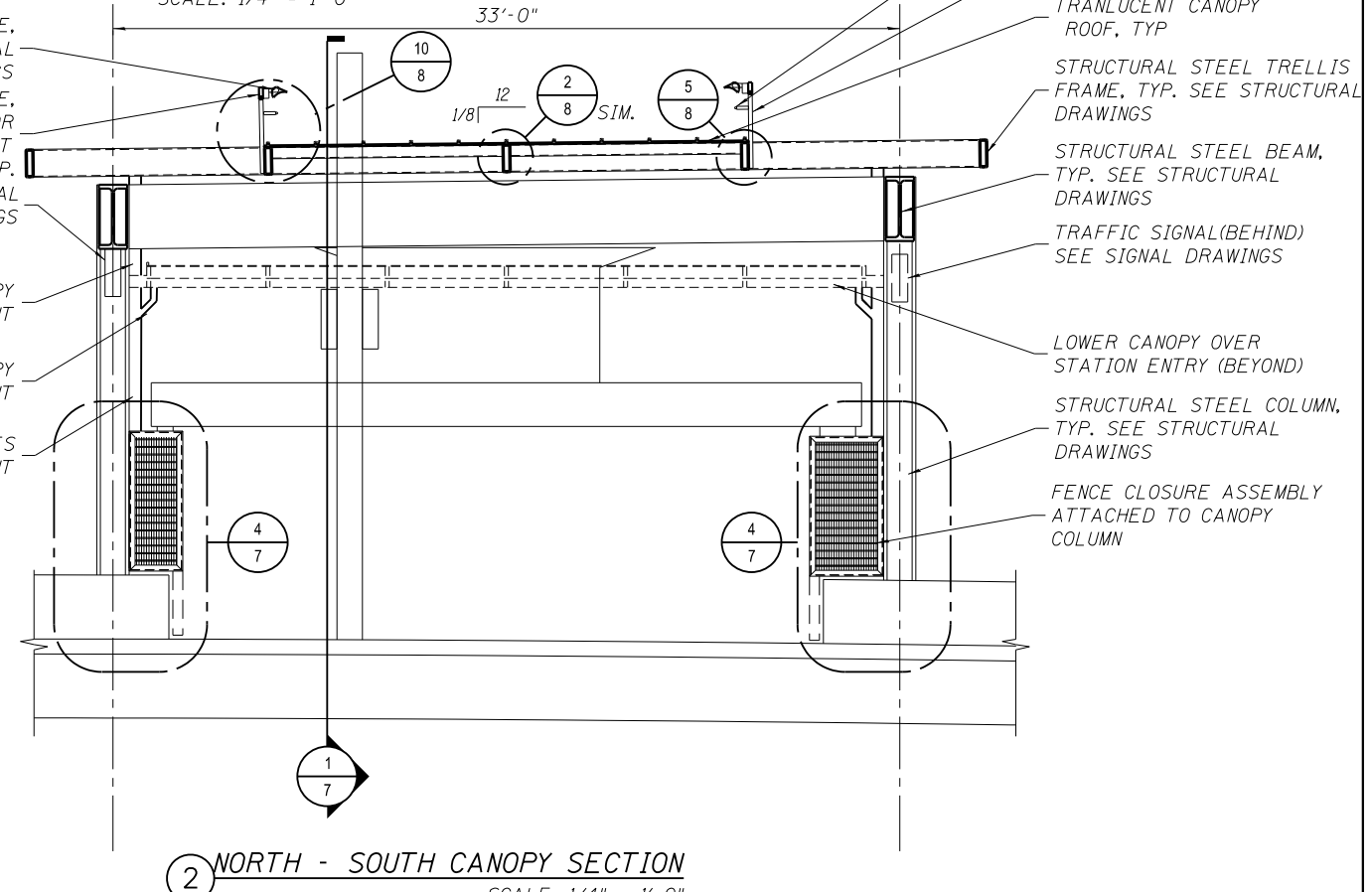
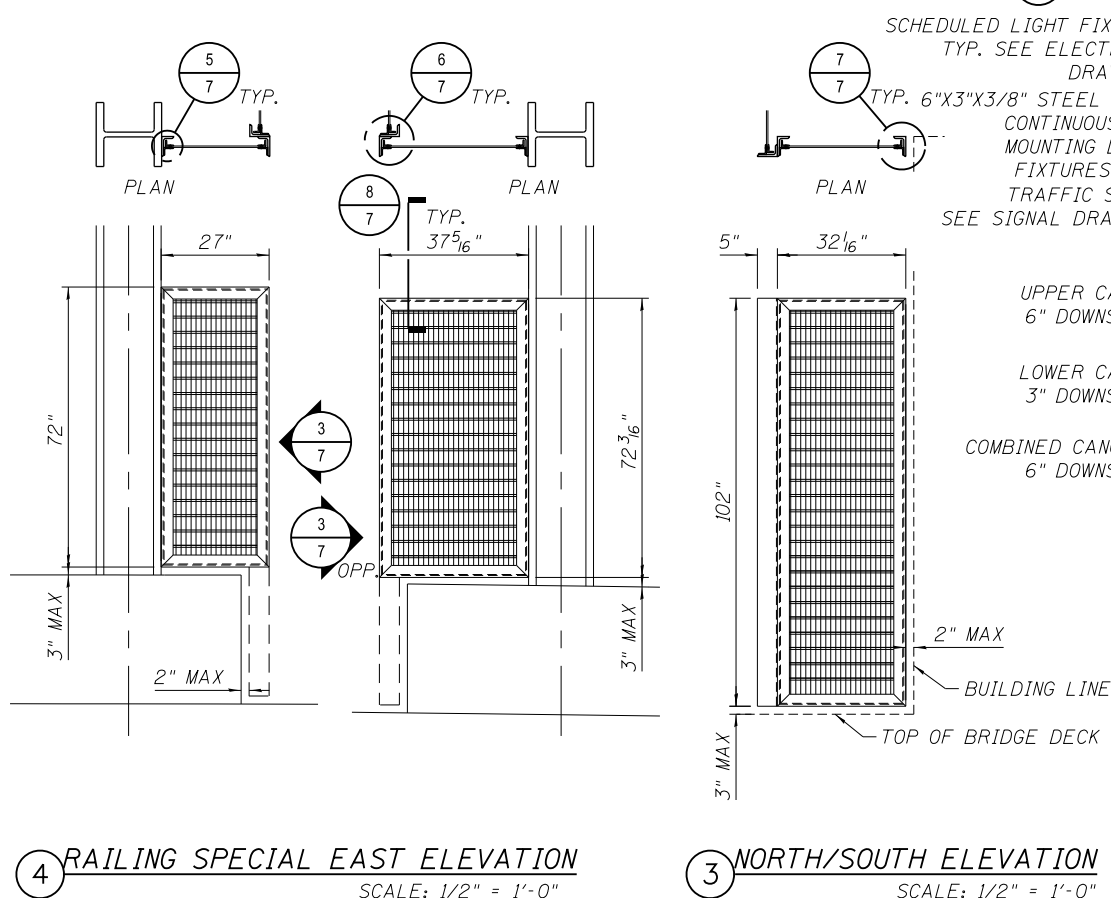
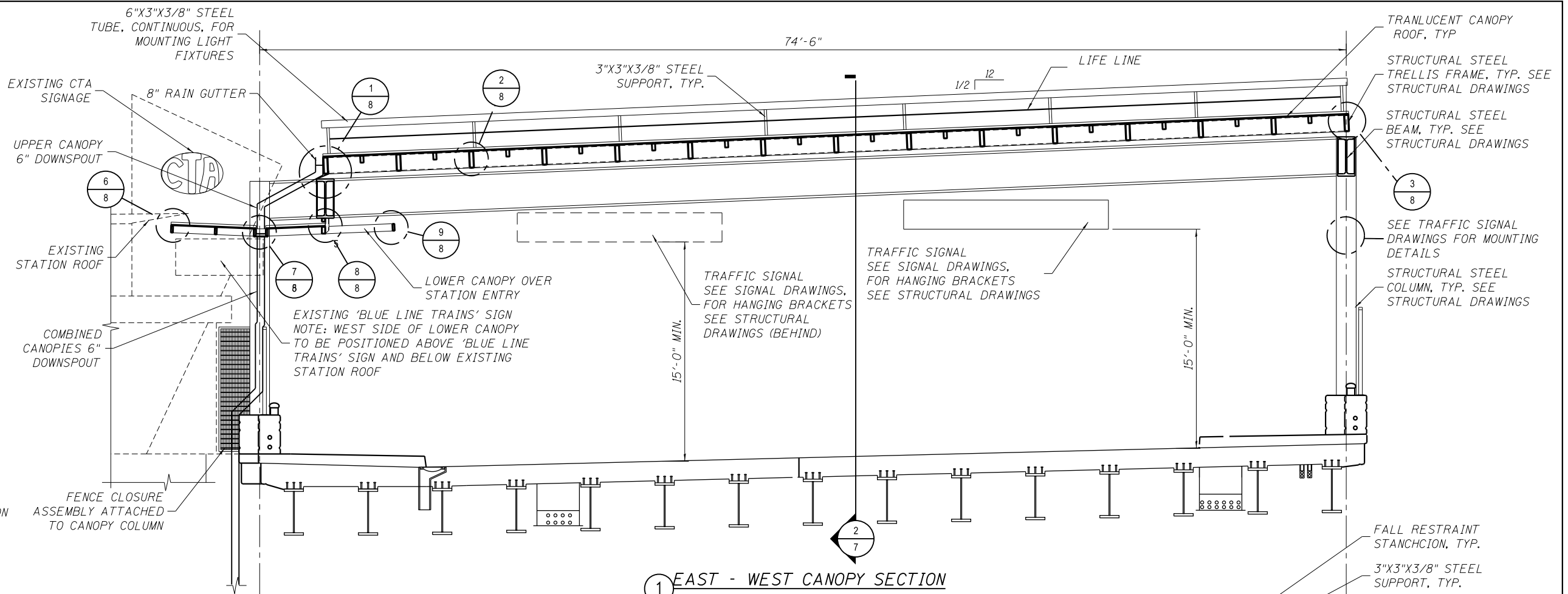
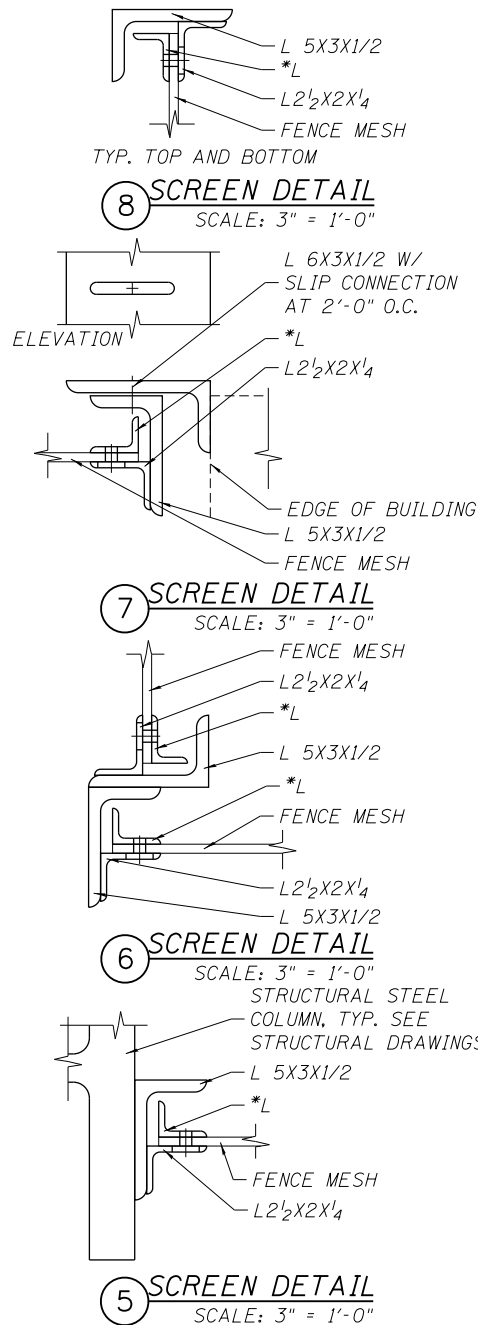


NOTES:

1. CONNECTIONS AND JOINTS TO BE CONTINUOUSLY WELDED AND GROUND SMOOTH AS NOTED ON STRUCTURAL BRIDGE DRAWINGS
2. ALL STEEL TO BE GALVANIZED AND FIELD PAINTED WHITE PER SAMPLE SELECTED BY CTA.
3. ROUTE CONDUIT CENTERED ALONG TOP OF BEAM
4. LOWER CANOPY DOWNSPOUT TO TIE INTO UPPER CANOPY DOWNSPOUT BELOW LOWER CANOPY
5. CANOPY DOWNSPOUTS TO TIE INTO HALSTED STEET BRIDGE DRAINAGE BELOW DECK, SEE CANOPY DRAINAGE PLAN FOR DETAILS.
6. FENCE CLOSURE ASSEMBLY TO MATCH BRIDGE FENCE RAILING (SPECIAL), SEE STRUCTURAL SHEET BRIDGE DRAWINGS



10:30:52 AM 0161716-60W26-MOD-A-SC-CNRY.dgn



USER NAME = BAWIort	DESIGNED - WHB	REVISED
CHECKED - CRR	REVISIONS	
PLOT SCALE = 48:0.0006 in/in / in.	DRAWN - WHB	REVISIONS
PLOT DATE = 9/15/2013	CHECKED - CRR	REVISIONS

**STATE OF ILLINOIS
DEPARTMENT OF TRANSPORTATION**

**PEDESTRIAN CANOPY SECTIONS
STRUCTURE NO. 016-1716**

SHEET NO. 7 OF 11 SHEETS

F.A.U. RTE.	SECTION	COUNTY	TOTAL SHEETS	SHEET NO.
3730	2013-008R	COOK	559	448
CONTRACT NO.			60W26	
ILLINOIS FED. AID PROJECT				